

APOLLO

1/8 Off Road Pro RTR Buggy



SWORKZ Apollo II 1/8 Brushless Power Buggy Pro RTR Manual





INSTRUCTION

Introducing the new APOLLO II Pro Electric RTR 1/8th scale off-road professional ready to run buggy from SWORKz. The 1/8th APOLLO II EP buggy is a Pro RTR based on the pro S350 but with an updated S35-4E buggy center layout.

The APOLLO II EP Buggy incorporates many of the race-inspired features from the S35-3E and S35-4E Pro Kit. This buggy provides precise feedback, a nimble and balance feel that will suit drivers of all levels. The SWORKz design team put their efforts into proper weight distribution for the APOLLO II EP Buggy. Proper weight distribution proved to be instrumental to the setup during the testing phase of the APOLLO II EP Buggy.

The SWORKz APOLLO II Pro EP RTR buggy comes standard with many high quality parts like a T7075 aluminum chassis (with the same S35-4E chassis hard coating process), front and rear shock towers. It also has S35-3E Pro Kit's 16mm BBS Racing Shocks System, High Performance Crown and Pinion Gears and oil filled differentials providing traction and balance on multiple off-road surfaces.

The APOLLO II EP buggy uses the S35-4E center new designed Motor mount makes it possible to change very easily the motor or adjust the play of the gears.

The pivot ball steering system gives the driver sharp and accurate turning feedbacks. The APOLLO II EP buggy comes with a race inspired base set up that is easy to drive.

The APOLLO II EP set comes with high quality electronics from HobbyWing (SWORKz SE-100) 100A 1/8 BL ESC and an S-ePOWER SP2150 BL 3670 MOTOR.

The SWORKz SES-2S steering servos (with 12kg metal gears) are made by SAVOX. This RTR also includes a 2.4G Radio System.

A pre-cut painted body shell is also included.

APOLLO Kit Features:

1. Quality T7075 Aluminum Main Chassis.
2. Quality T7075 Front and Rear Shock Towers.
3. SWORKz S35-3 BBS Race Shock System.
4. High Performance CNC machined Crown Gears and Pinion Gears.
5. F/R Full CVA Drive Shafts.
6. Aluminum Adjustable Front and Rear Lower Plastic Insert Toe-In system.
7. Double Protection Bumper Design.
8. Sealed Front and Rear Arms design.
9. Adjustable Front Upper and Lower Suspension Arm System.
10. S350 Falcon II Pre-painted and Pre-Cut Body Shell (For EP Buggy) is included.
11. 2.4G Radio System (SW-T2 Radio fit for AA battery).
12. Comes standard with SWORKz SE-100 100A 1/8 BL ESC (Made by HobbyWing)
13. SWORKz SP-2150 3670 BL MOTOR for 1/8 RTR motor system.
14. SWORKz SES-2S steering servo (with 12kg metal gear) made by the world famous brand SAVOX.



Specification	
Length:	530mm
Width:	308mm
Height:	220mm
Ground Clearance:	65mm
Wheelbase:	325-330mm
Track:	F:306mm / R:306mm
Gear Ratio:	C:(45~47)/15T, F/R 43/13T
Weight:	3700g

WARRANTY

Your SWORKz APOLLO II Pro RTR kit warranty covers workmanship and manufacturing defects of the original and unmodified parts. Warranty claims resulting from crashes, abuse, improper operation, improper mounting, improper adjustment or lack of maintenance will not be honored.

Contact your local hobby shop or SWORKz distributor for all claims and questions. Claims must be well documented. All Claims are subject to expert examination approval by SWORKz.



INSTRUCTION	2
Warranty	3
Required Equipment for Operation	5
Operation Guide	6
Assembly Steps	7-33
Apollo II EP Part No. List	34-35
Apollo II EP Spare Part No. List	36-37
Apollo II EP Option Part No. List	38-39
End cover	40

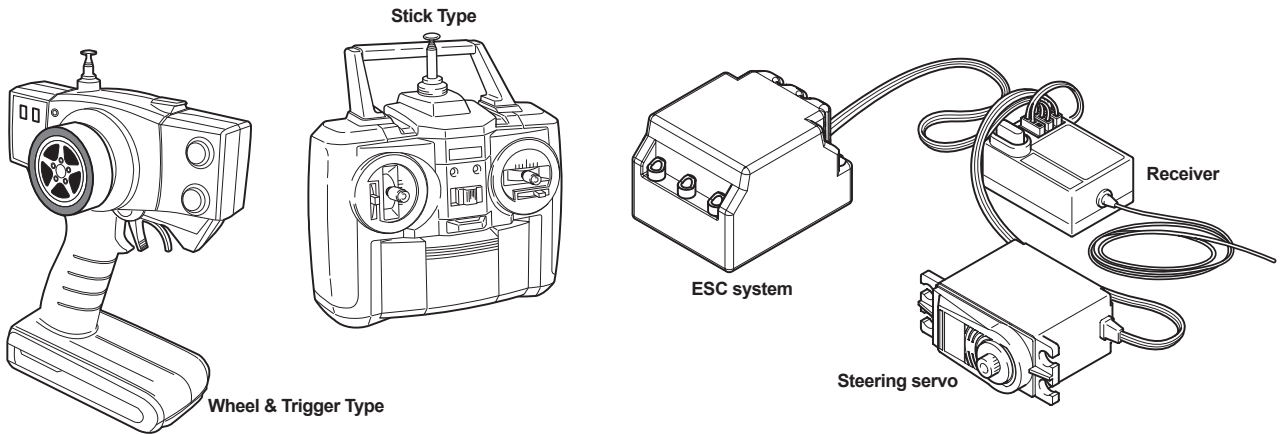


This radio controlled racing car is not a toy!

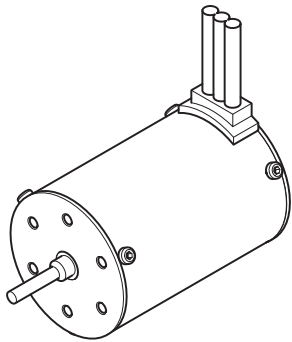
This high-performance R/C model is recommended for ages 14 and older.

Required Equipment for Operation

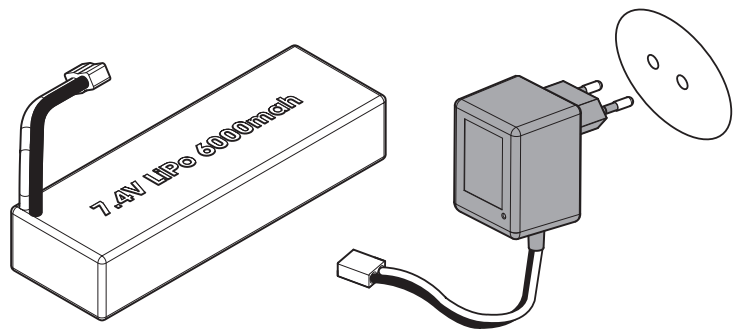
Radio Gear



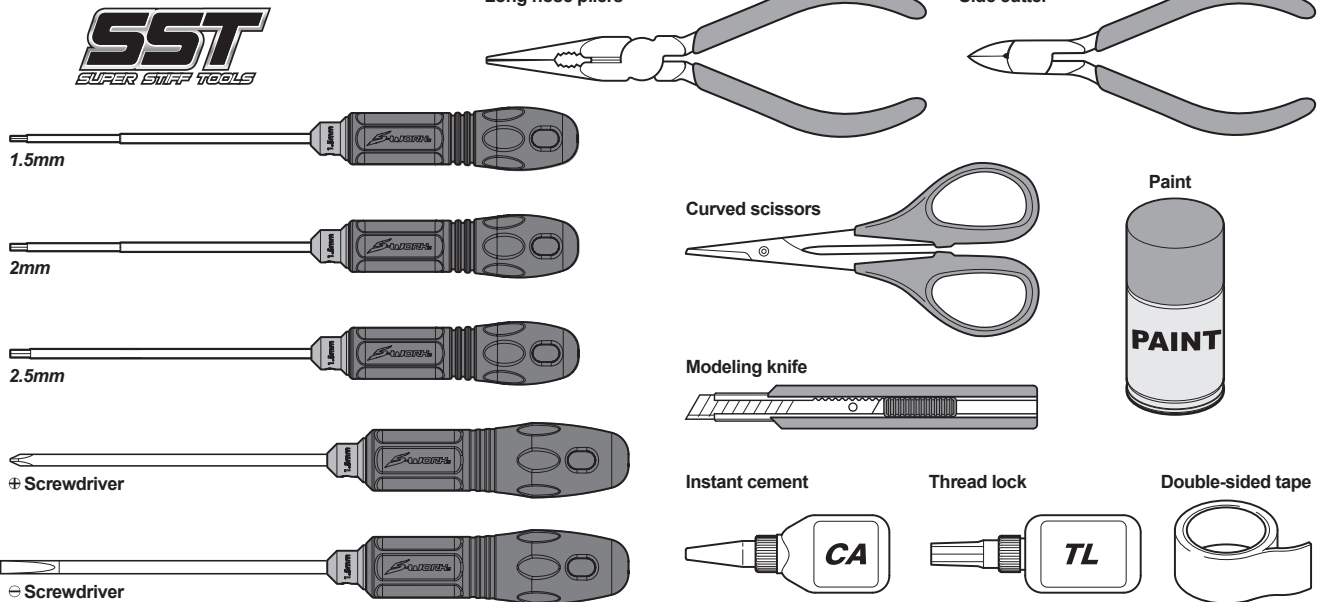
Breshless Motor



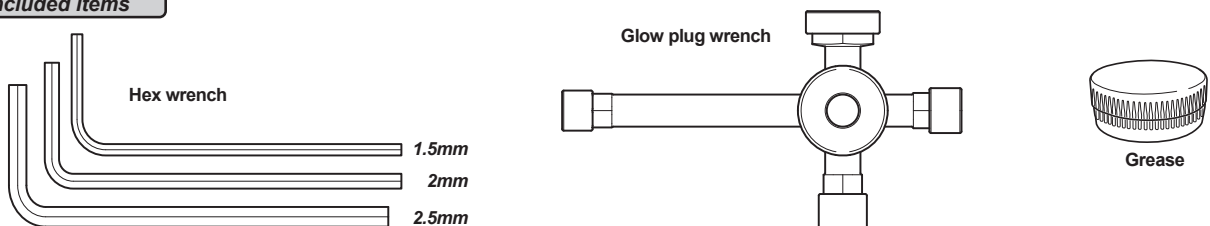
Charger and LiPo Battery



Tools Recommended



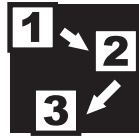
Included items



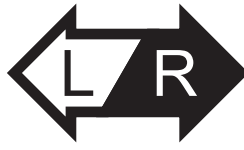
Operation Guide



Assemble front and rear



Assemble in the specified order



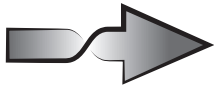
Assemble both left and right sides



Assemble for 2 sets



Assemble for 4 sets



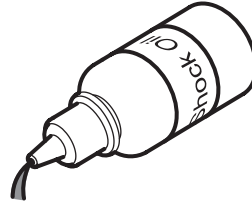
overturn



Thread Locking Compound



Grease



Pure Silicone Oil



Air filter oil

Safety Precautions

The SWORKz APOLLO is a high performance radio controlled model which needs to be operated with caution and common sense.

The APOLLO Kit is not intended for children under the age of 14 without adult supervision. SWORKz shall not be held liable for any loss or damages, whether direct, indirect, act of nature, arising from the abuse or misuse of this product or any other product required while operating this model.

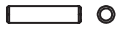
- The LiPO Battery can be dangerous is improperly handled.
- Always keep your LiPO Battery in a cool area and never use near flame, sparks, or while smoking.
- Keep your LiPO Battery, and all other flammables, out of the reach of children.
- After running your car, all parts of the Motor and ESC can become extremely hot. Be careful not to touch these parts.
- This model is controlled by your radio and that is vulnerable to interference from many outside sources. This interference can cause a loss of control so it is necessary to operate this model in an open area to avoid personal, or property damage. Always ensure turning on your radio first.
- Keep all the products included in the package out of reach of children.
- This model contains many fast rotating parts. Never touch them during operation.
- Follow the instruction included with your radio gear.
- Never operate your model near people or property. The speed of this model has the potential for injury and or damage to people and or property.
- Always use original SWORKz spare and option parts.
- Always ensure the buggy is in proper working condition before use.
- Always exercise caution when using any and all tools.

BAG B

1

F
R

x2



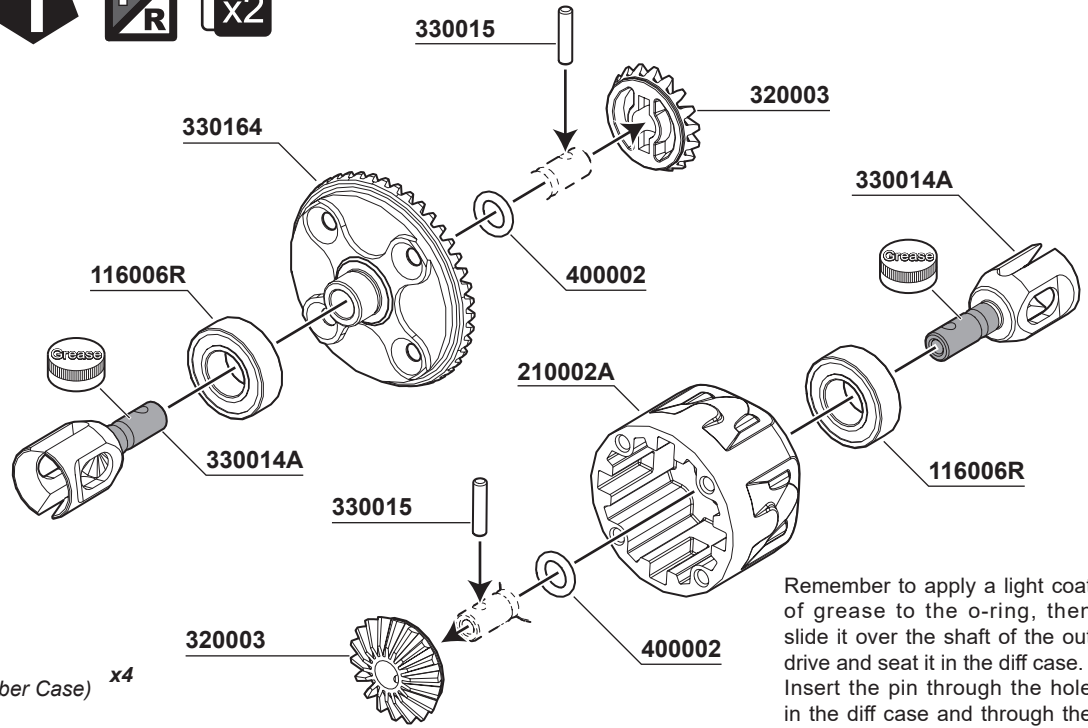
330015
Pin M2.2x9.9mm **x4**



400002
O-ring S5 4.8X1.5 **x4**



116006R
Ball Bearing 8x16x5mm (Red Rubber Case) **x4**



Remember to apply a light coat of grease to the o-ring, then slide it over the shaft of the out drive and seat it in the diff case. Insert the pin through the hole in the diff case and through the hole in the shaft of the out drive.

2

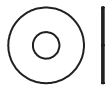
F
R

x2

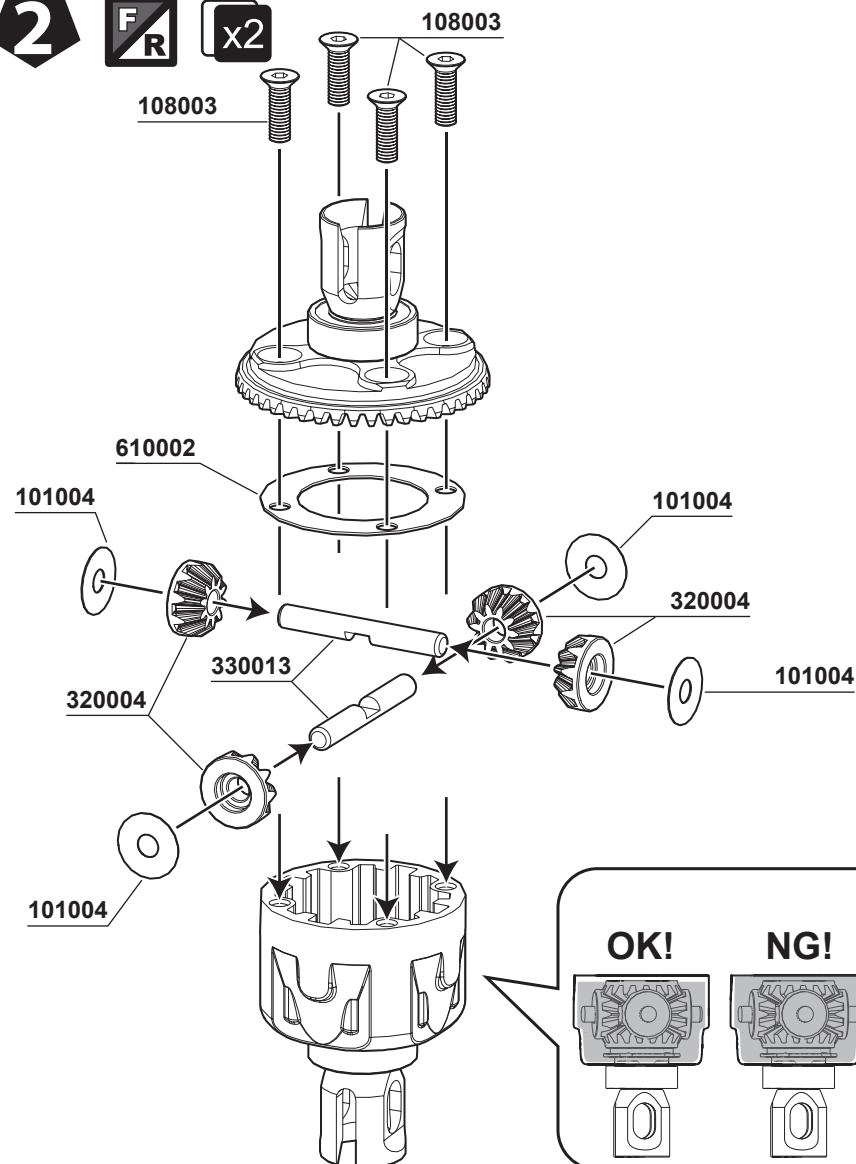


108003
M3x10mm FH/ST HEX Screw **x4**

330013
Bevel Gear Shaft **x4**



101004
Washer 3.5X10X0.2mm **x8**

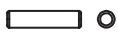


OK!

NG!

Fill the differentials with oil up to 70% above the satellite gears. Put the SWORKz Diff. Oil 4000cps for the front Diff. and 1500cps for the rear Diff.

3



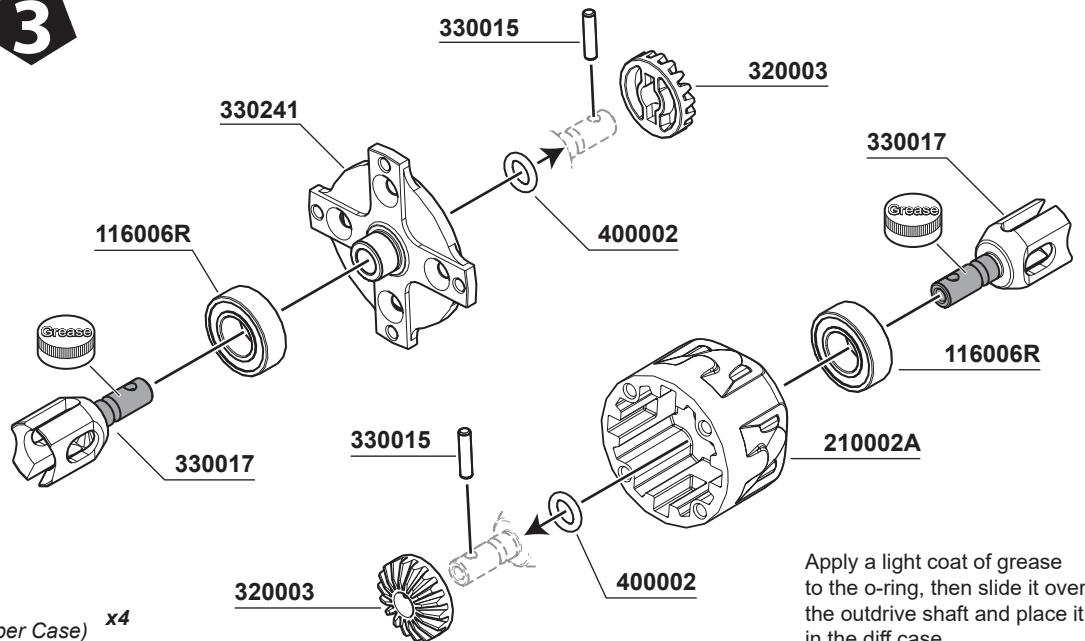
330015
Pin M2.2x9.9mm x2



400002
O-ring S5 4.8X1.5 x2



116006R
Ball Bearing 8x16x5mm (Red Rubber Case) x4



Apply a light coat of grease to the o-ring, then slide it over the outdrive shaft and place it in the diff case.
Insert the pin through the hole of the out drive.

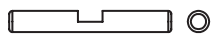
4



108007
M3x6mm FH/ST HEX Screw x4



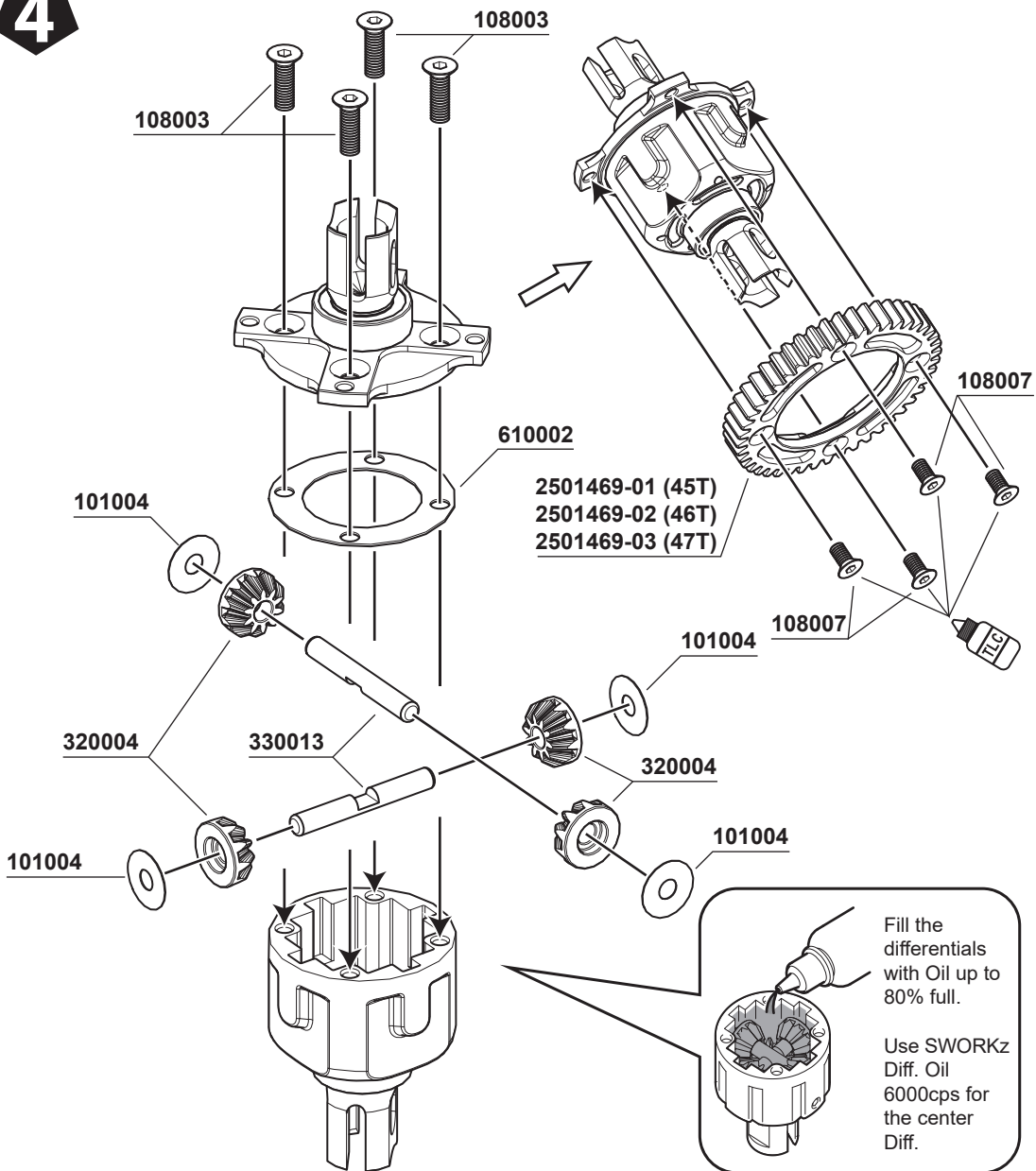
108003
M3x10mm FH/ST HEX Screw x4



330013
Bevel Gear Shaft x2



101004
Washer 3.5X10X0.2mm x4



Fill the differentials with Oil up to 80% full.
Use SWORKz Diff. Oil 6000cps for the center Diff.



104010
M5x4mm Set Screw (Flat Bottom) **x1**



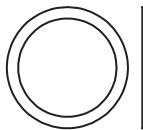
106010
M3x6mm Hex Socket OH/TP Screw **x3**



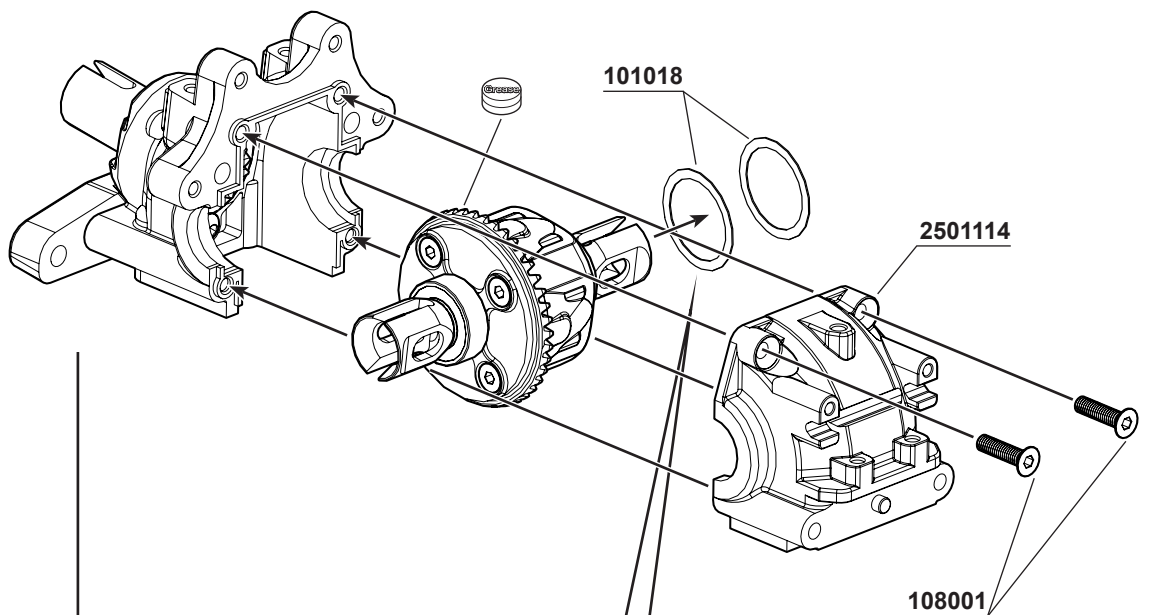
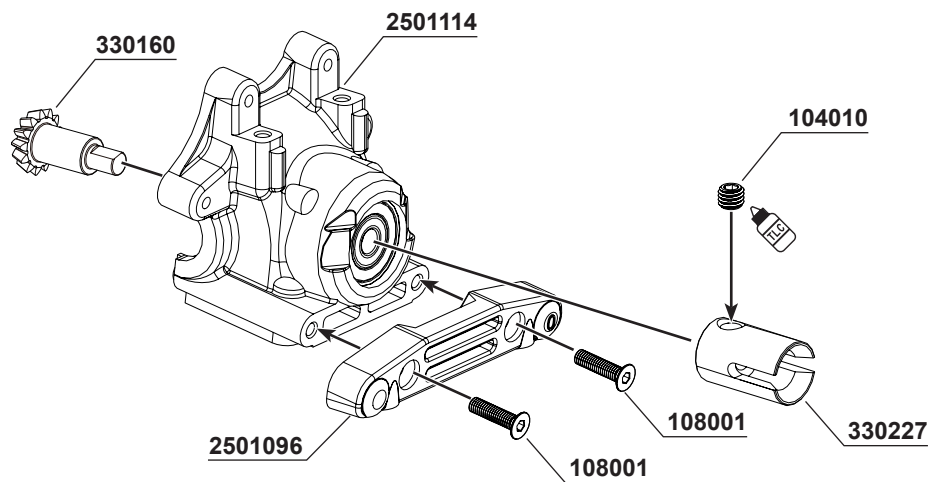
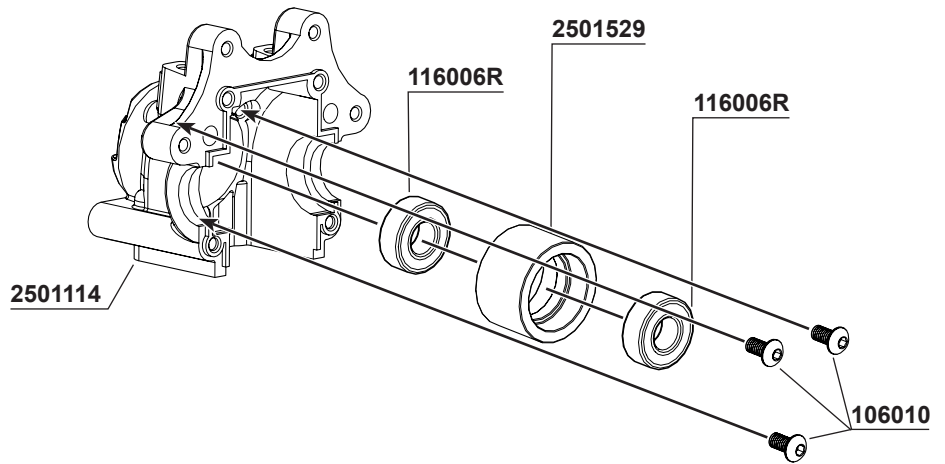
108001
M3x12mm FH/ST HEX Screw **x4**



116006R
Ball Bearing 8x16x5mm (Red Rubber Case) **x2**



101018
SHIM 13x16x0.2mm **x3**



Please use the SHIM 13x16x0.2mm to adjust when the play was bigger between the crown gear and pinion gear.

6 Rear



104010
M5x4mm Set Screw (Flat Bottom) x1



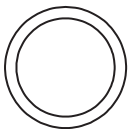
108001
M3x12mm FH/ST HEX Screw x2



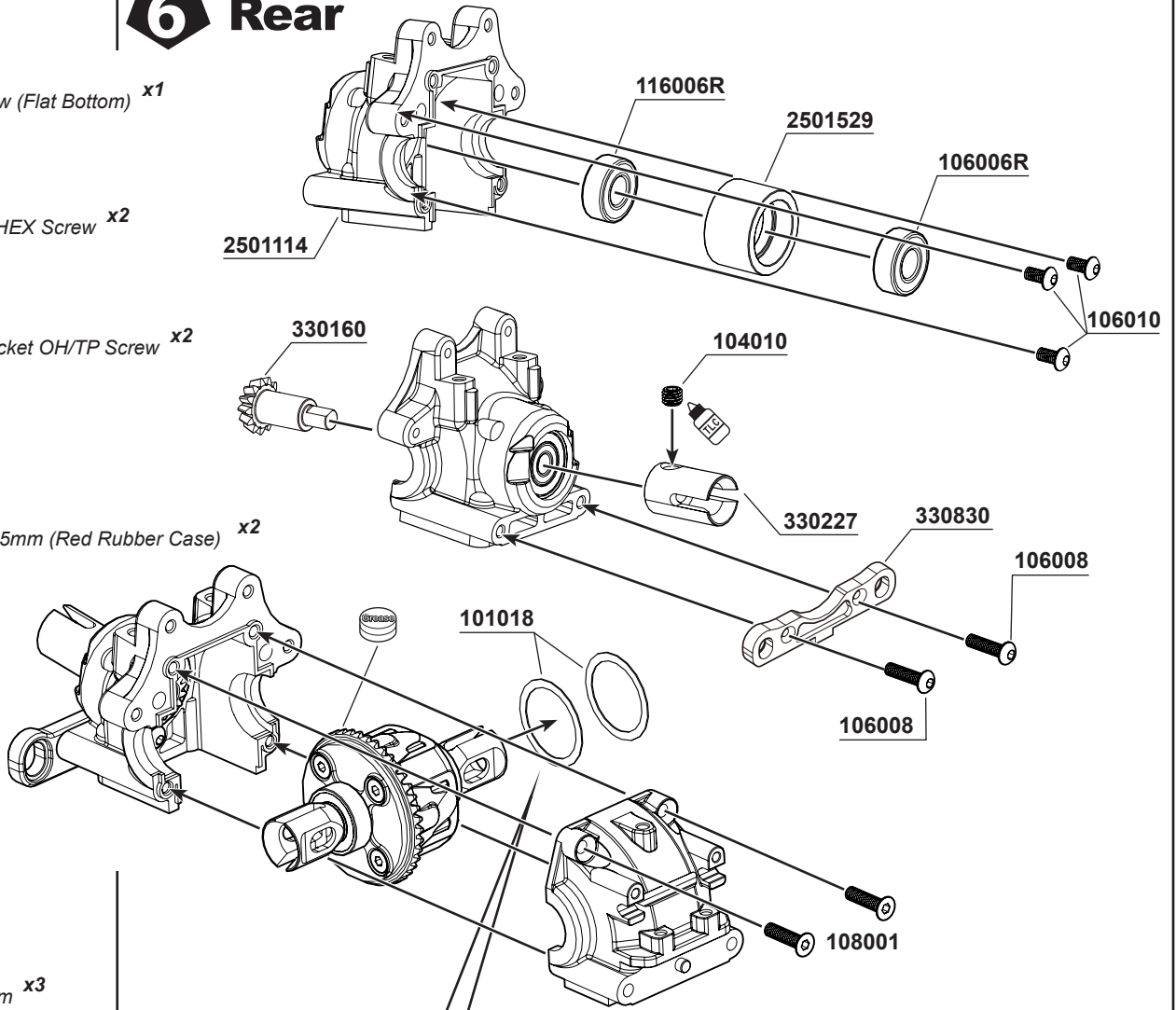
106008
M3x12mm Hex Socket OH/TP Screw x2



116006R
Ball Bearing 8x16x5mm (Red Rubber Case) x2



101018
SHIM 13x16x0.2mm x3



Please use the SHIM 13x16x0.2mm to adjust when the play was bigger between the crown gear and pinion gear.

BAG E1

7



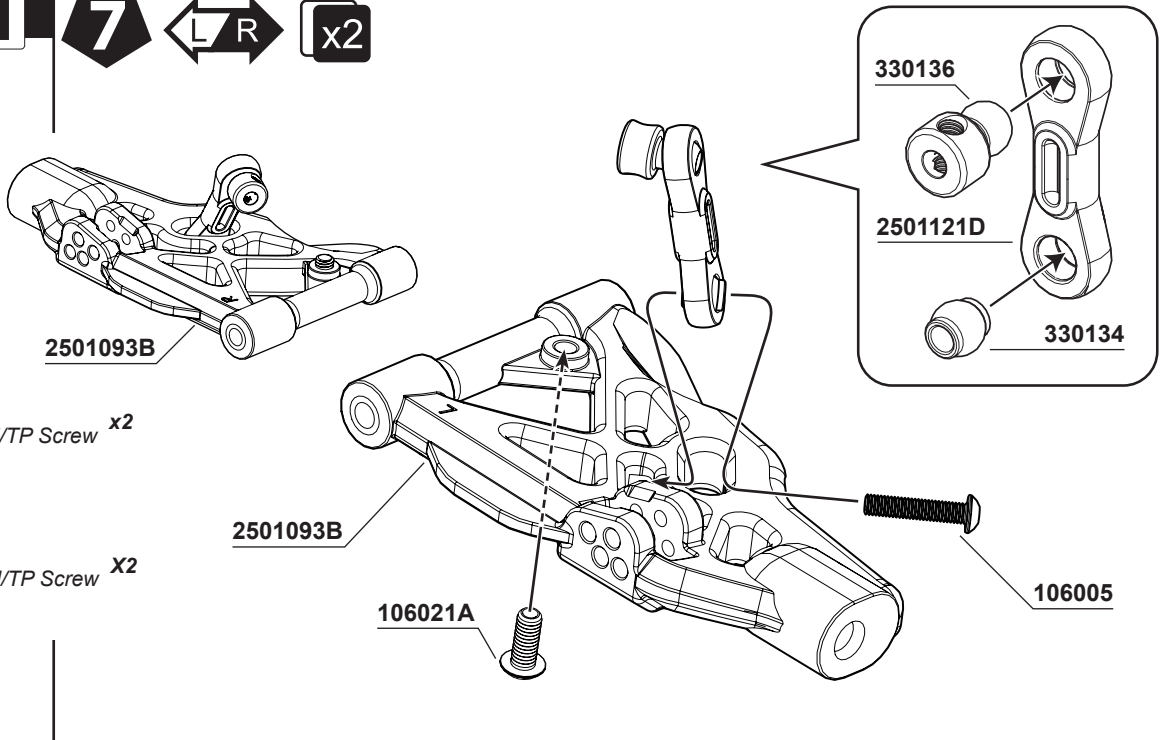
x2



106005
M3x15mm Hex Socket OH/TP Screw x2



106021A
M4x10mm Hex Socket OH/TP Screw x2

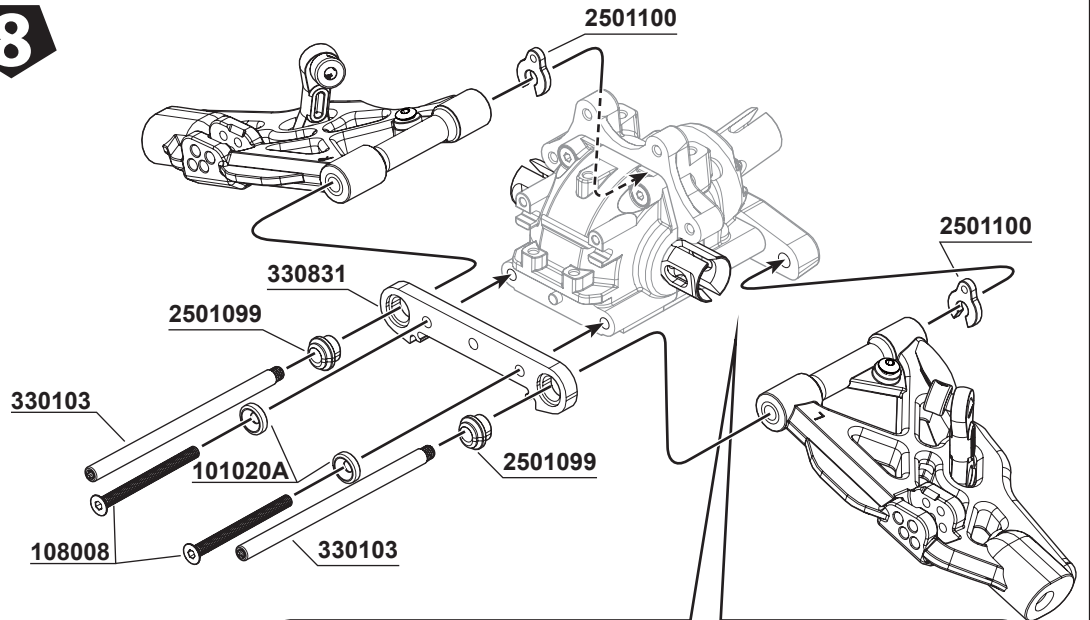




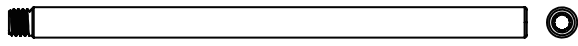
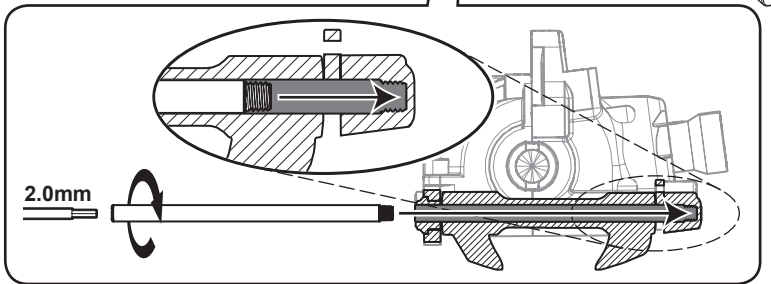
108008
M3x35mm FH/ST HEX Screw x2



101020A
3mm Countersunk Washers (GM) x2



Use a 2mm Hex Wrench and slowly tighten the Hinge Pins.

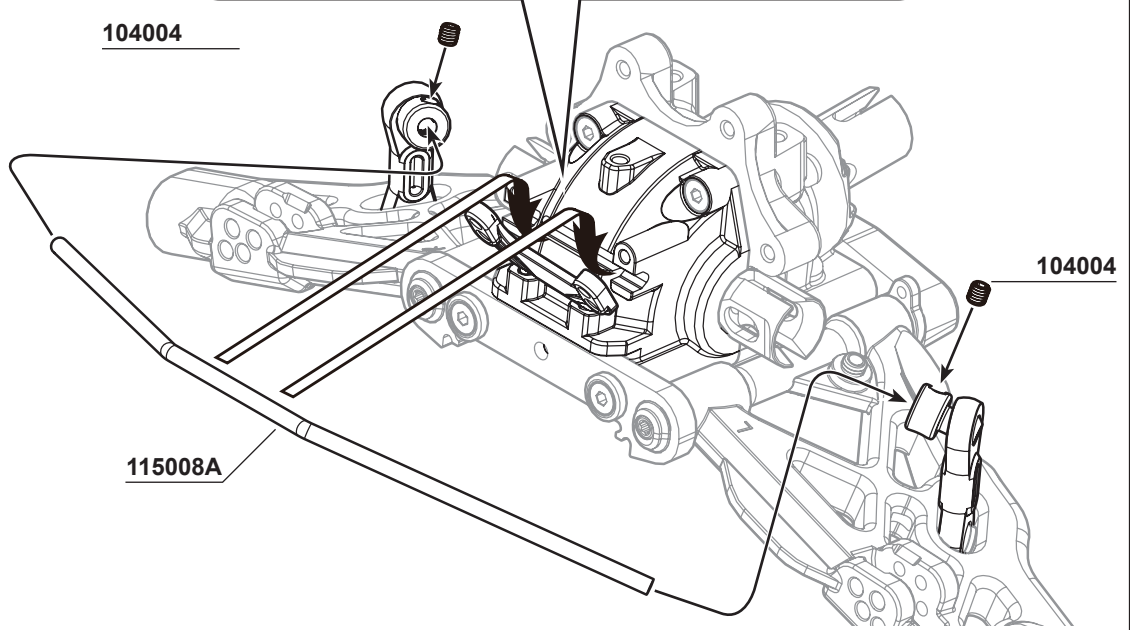
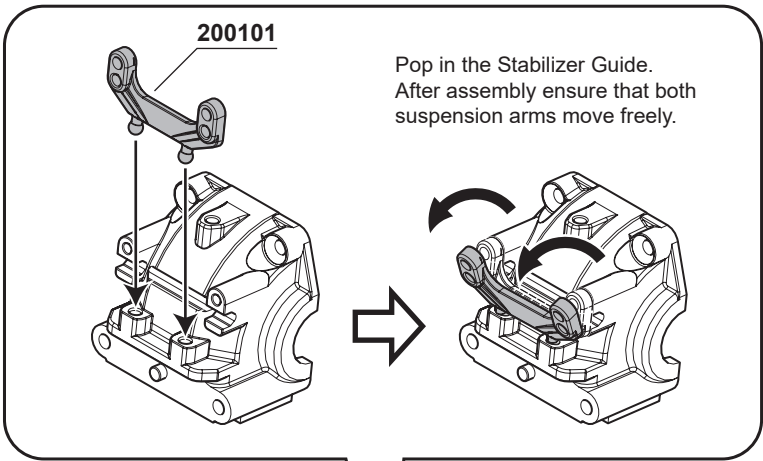


330103
Front/Rear Lower Arm HingPin x2

9



104004
M3x3mm Set Screw x2

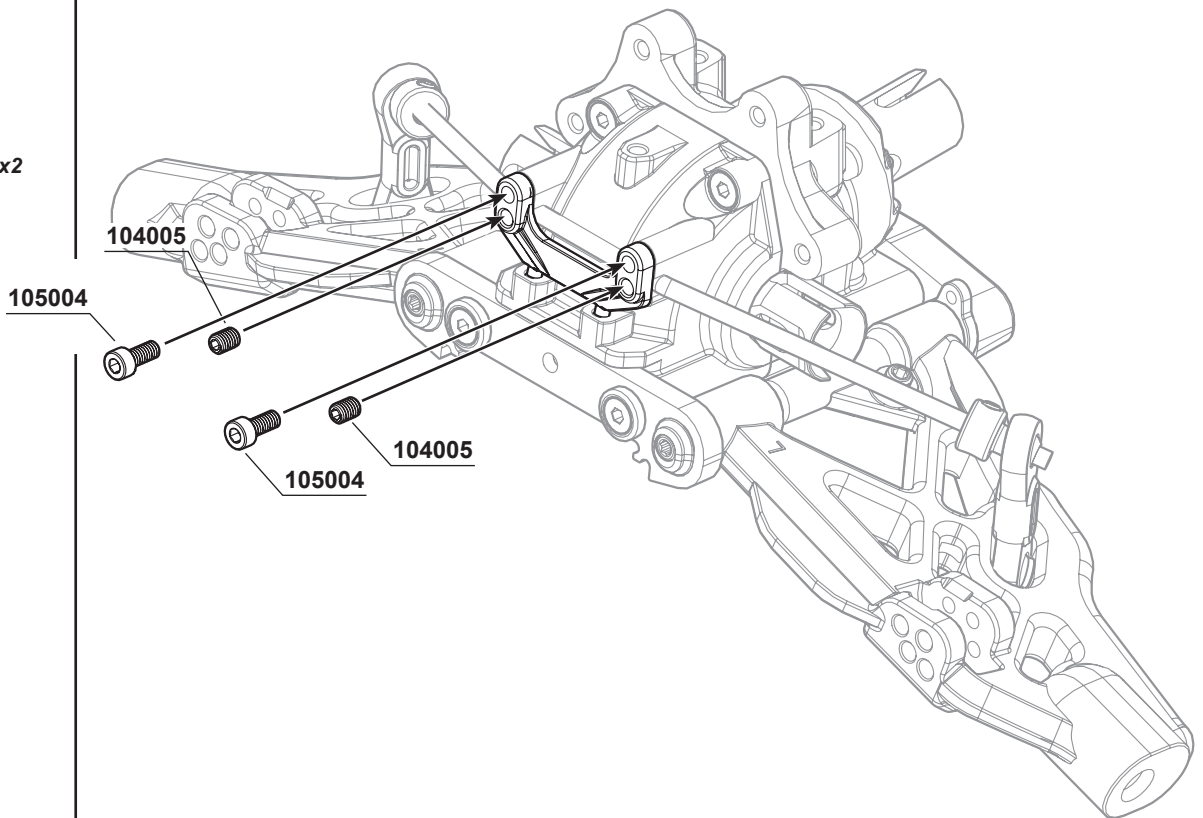




104005
M3x4mm Set Screw x2



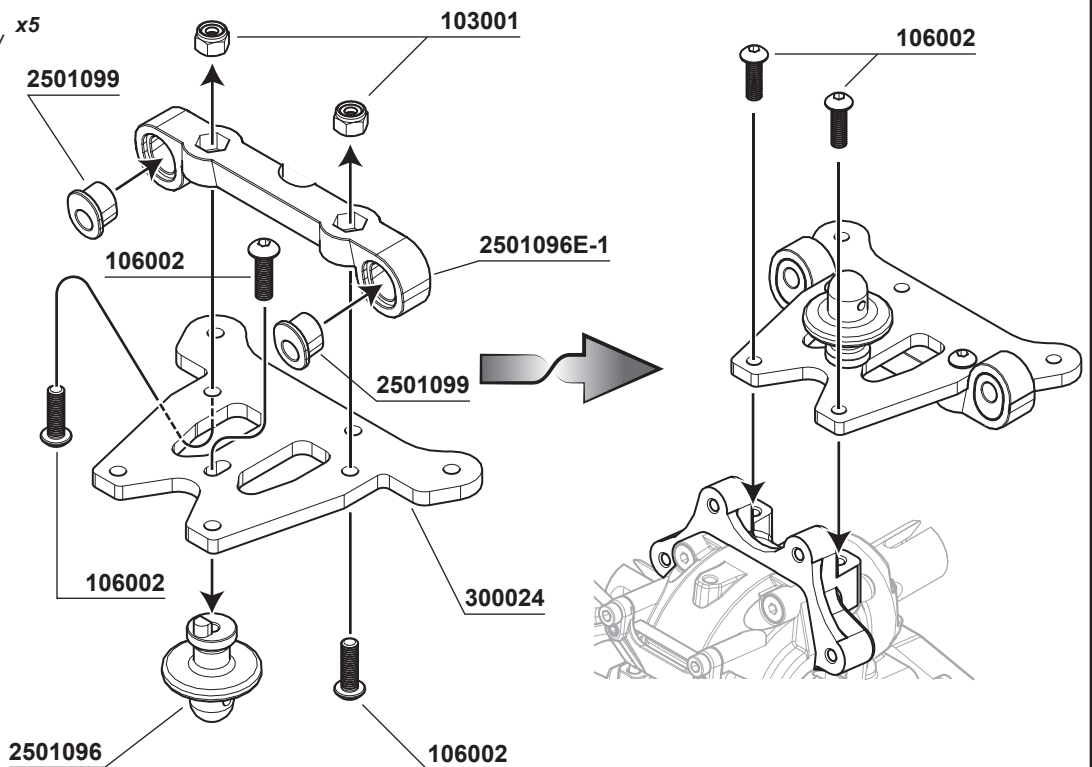
105004
M2.6x6mm Cap Screw x2



106002
M3x10mm Hex Socket OH/TP Screw x5



103001
M3 Nut Lock x2

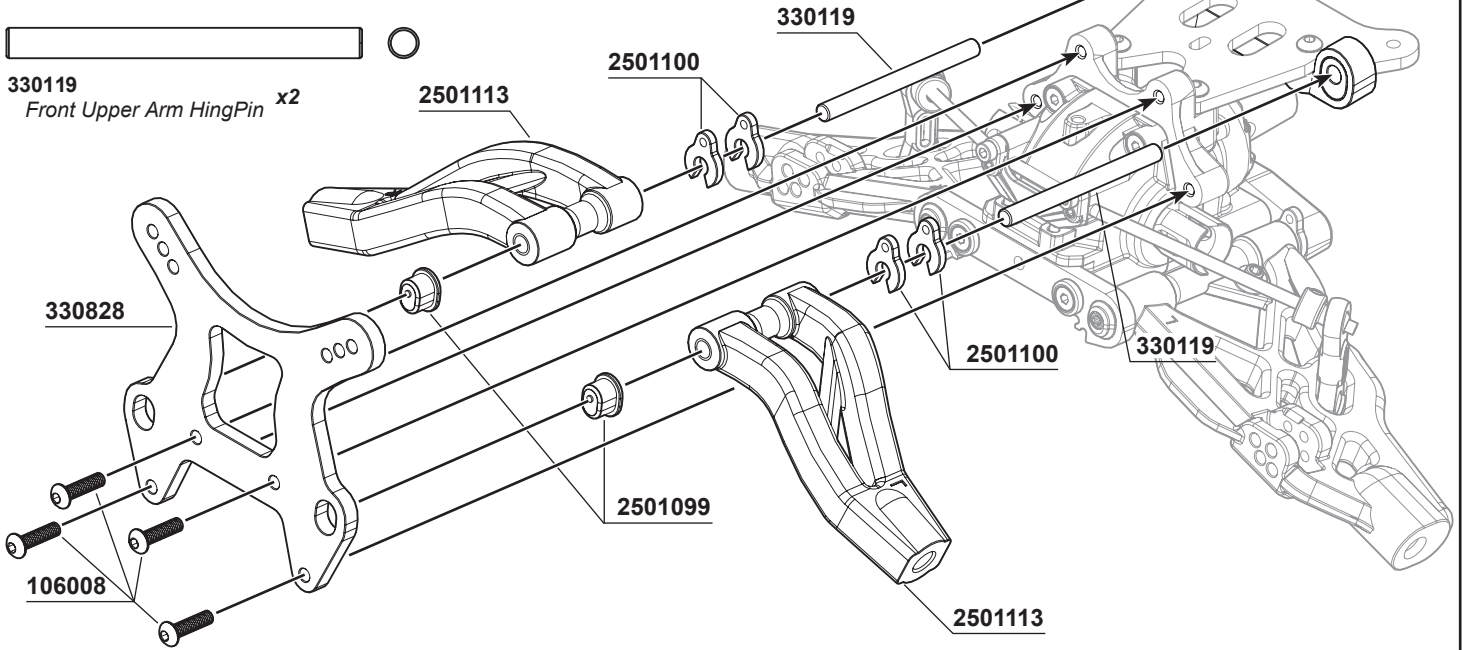




106008
M3x12mm Hex Socket OH/TP Screw x4



330119
Front Upper Arm HingPin x2



13



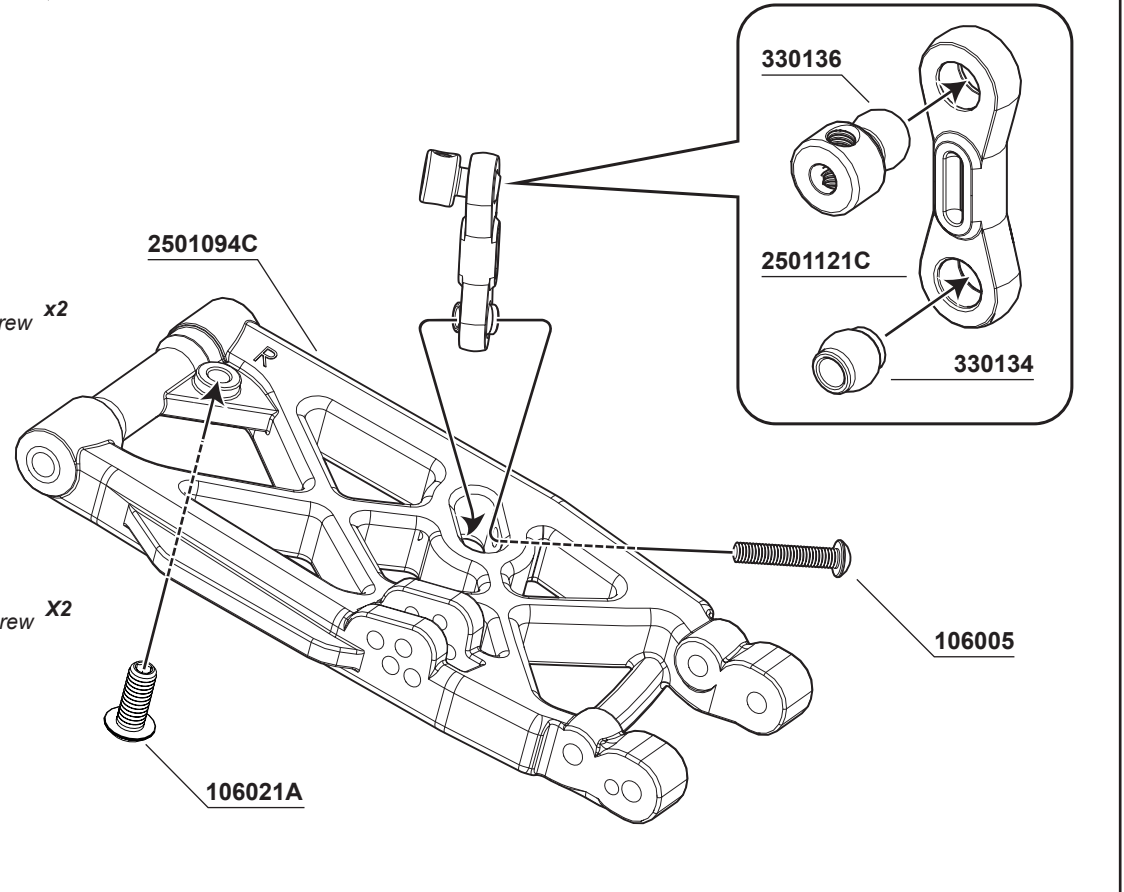
x2



106005
M3x15mm Hex Socket OH/TP Screw x2



106021A
M4x10mm Hex Socket OH/TP Screw x2





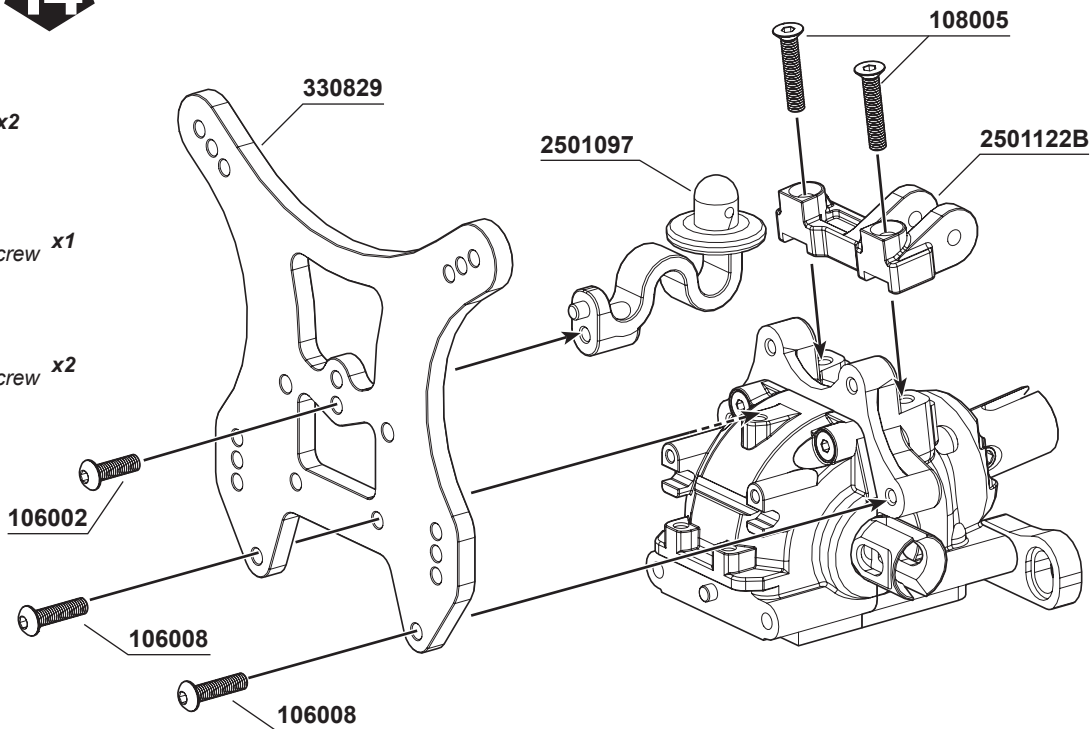
108005
M3x14mm FH/ST HEX Screw x2



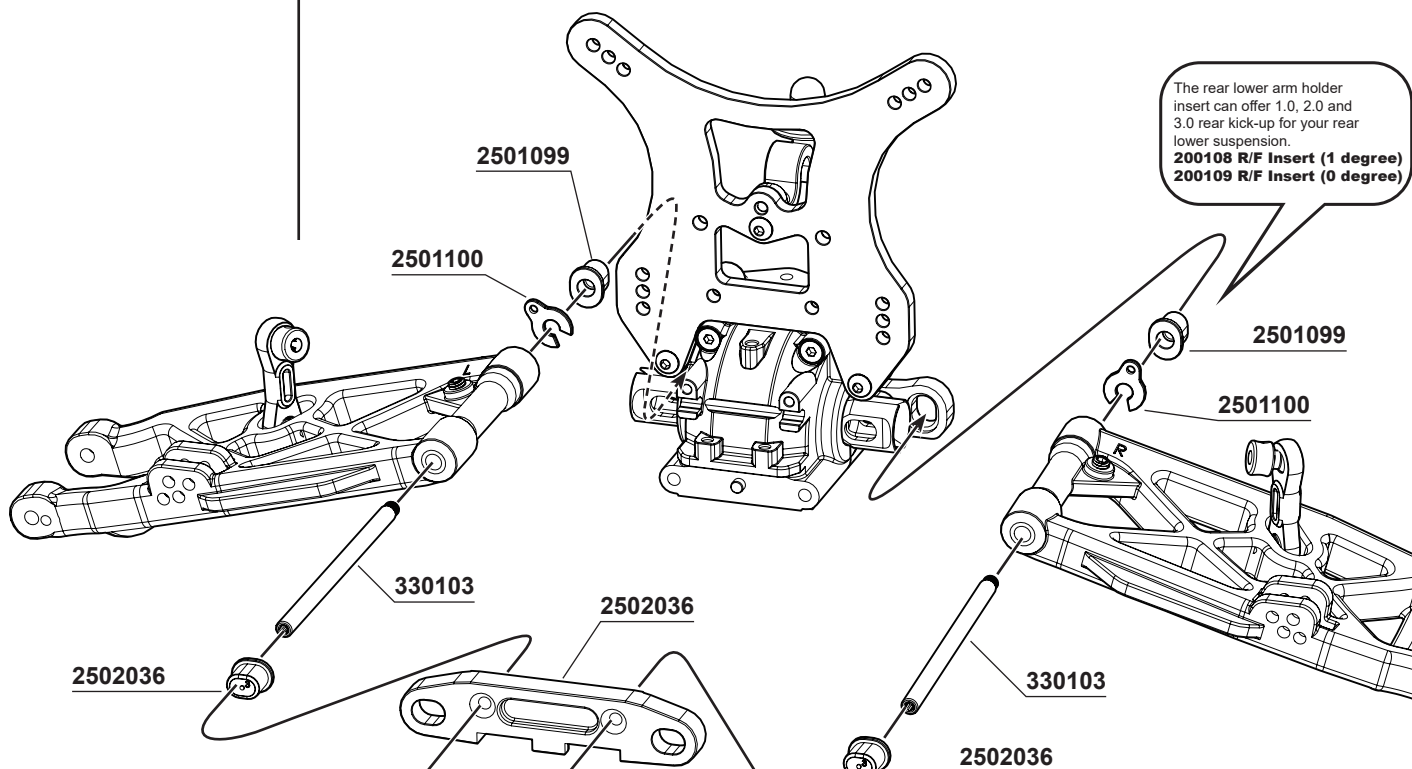
106002
M3x10mm Hex Socket OH/TP Screw x1



106008
M3x12mm Hex Socket OH/TP Screw x2



15



108008
M3x35mm FH/ST HEX Screw x2

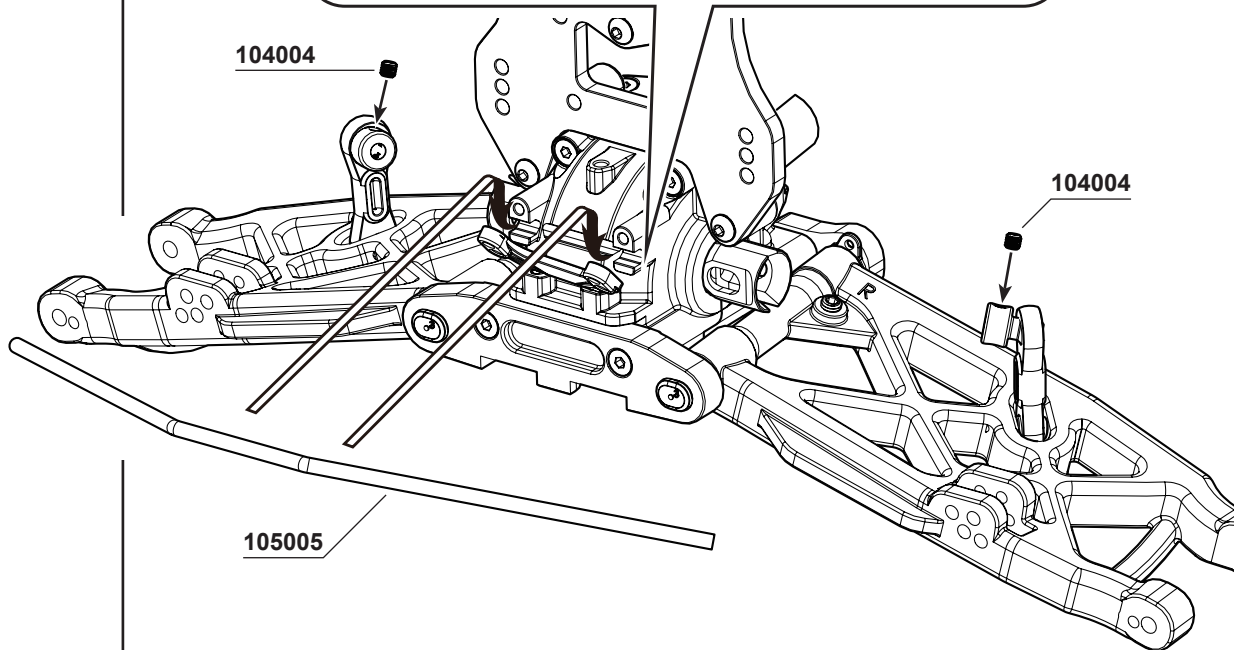
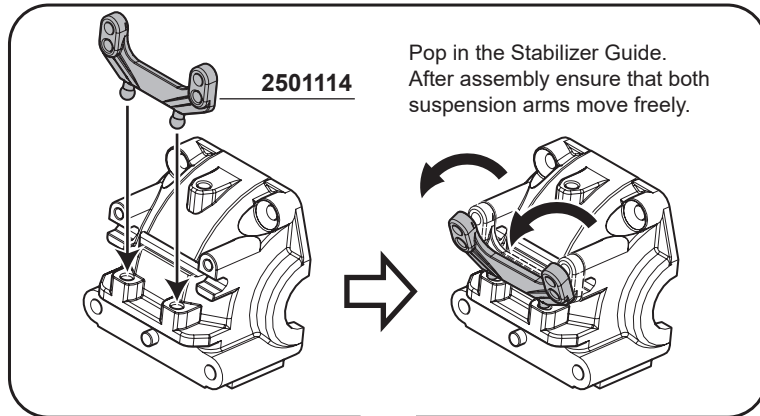


330103
Front/Rear Lower Arm HingPin x2

The new rear changeable plastic lower arm plate with 2 inserts can offer 2.0, 3.0 and 3.5 rear toe-in for your rear lower suspension.
2502036 Rear Changeable Lower Arm Plate Insert (2.0/3.5 Degree)
2502036 Rear Changeable Lower Arm Plate Insert (3.0 Degree)



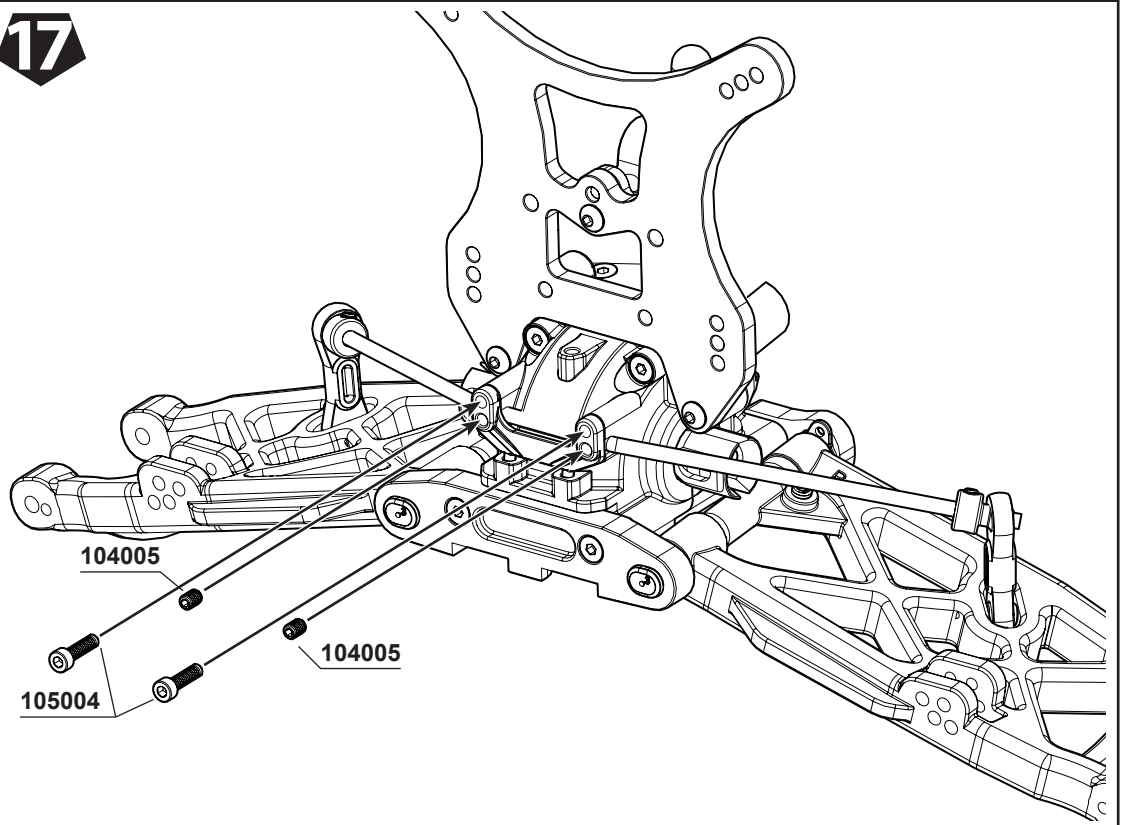
104004
M3x3mm Set Screw x2



104005
M3x4mm Set Screw x2



105004
M2.6x6mm Cap Screw x2

17



103001
M3 Nut Lock x2



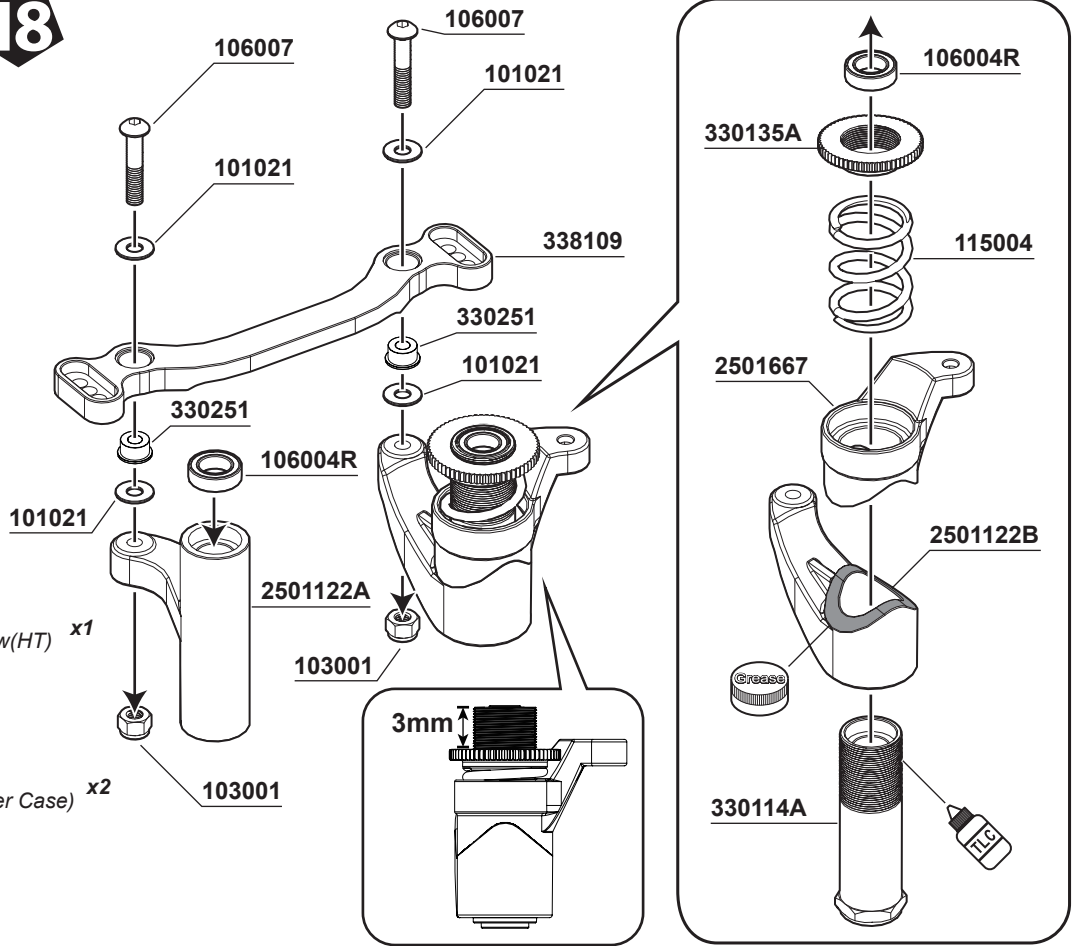
101021
M3x8xT1mm x4



106007
M3x12mm Hex Socket OH/TP Screw(HT) x1



116004R
Ball Bearing 6x10x3mm (Red Rubber Case) x2



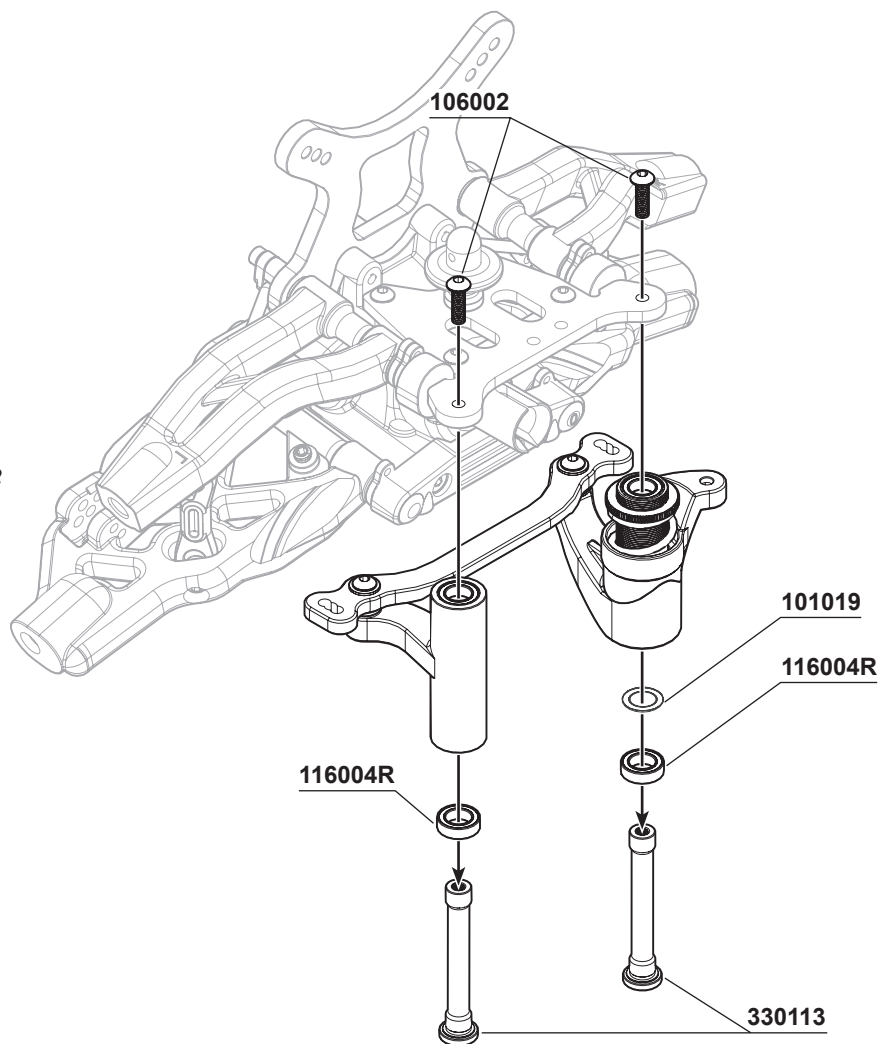
106002
M3x10mm Hex Socket OH/TP Screw x2



116004R
Ball Bearing 6x10x3mm (Red Rubber Case) x2

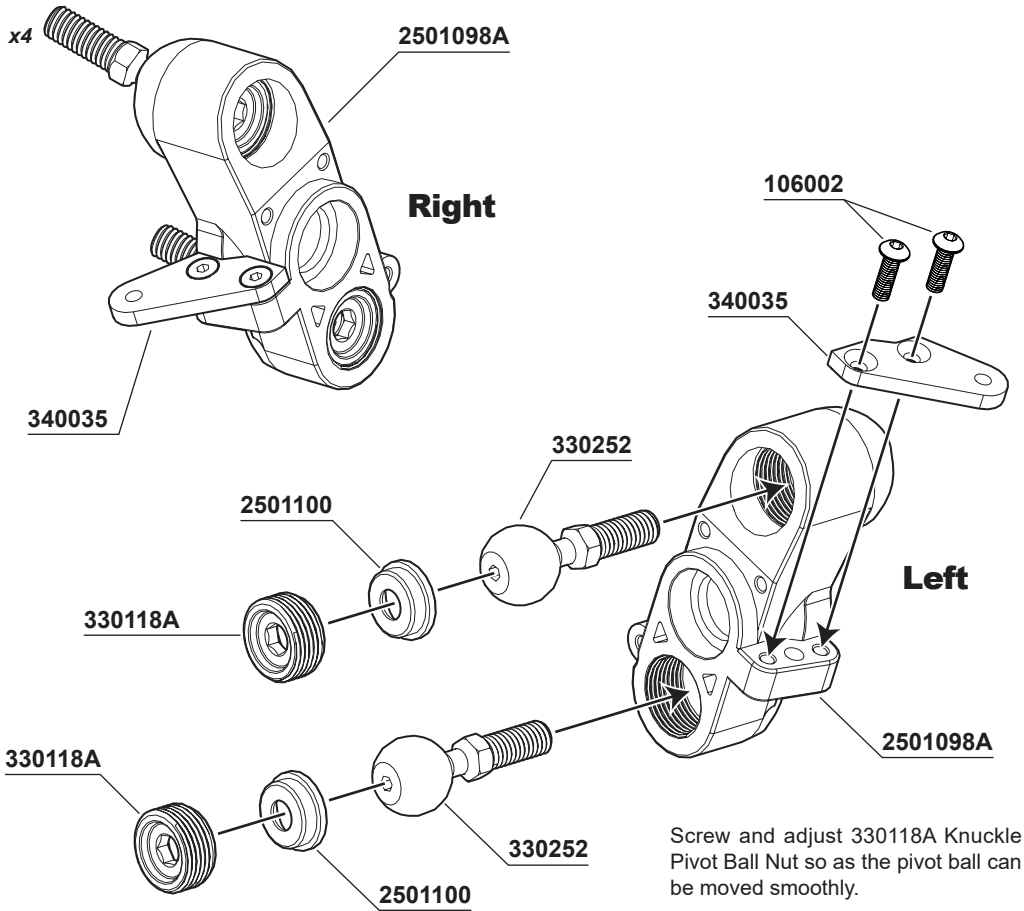


101019
SHIM 6.0x10.0x0.2mm x1





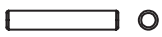
106002
M3x10mm Hex Socket OH/TP Screw x4



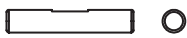
Screw and adjust 330118A Knuckle Pivot Ball Nut so as the pivot ball can be moved smoothly.



104010
M5x4mm Set Screw (Flat Bottom) x2



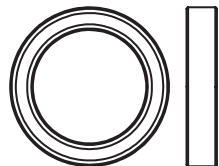
330111
Pin M2.5x14.8mm x2



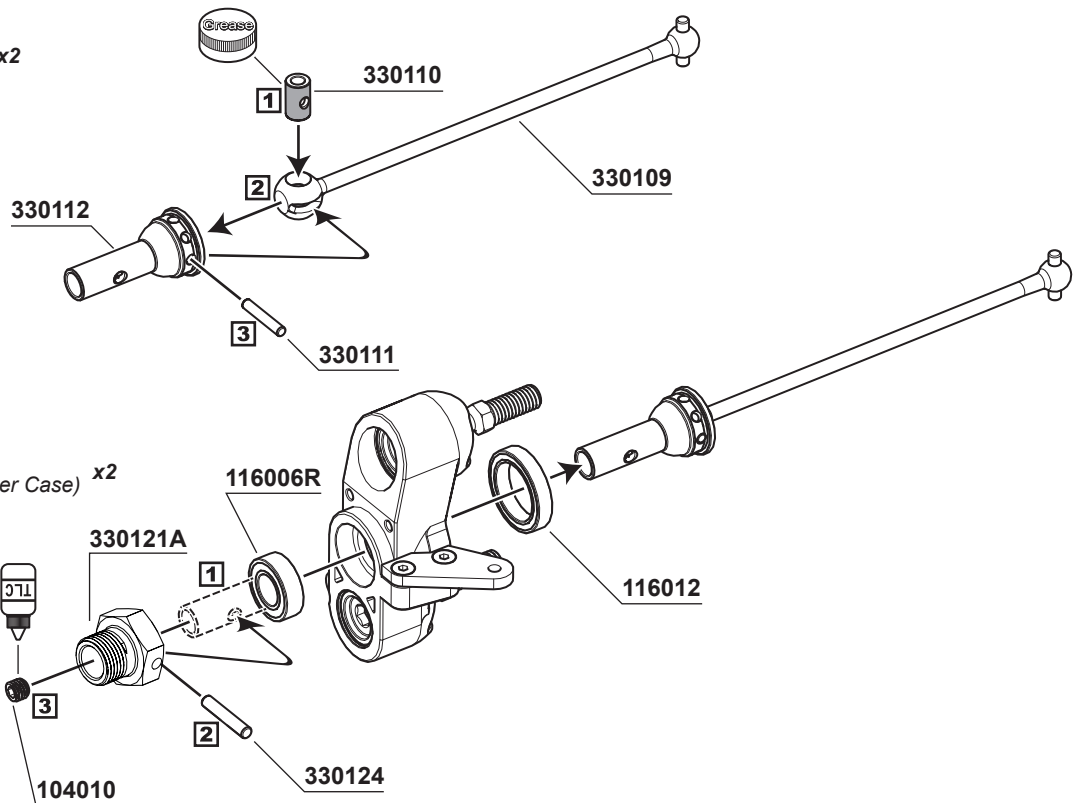
330124
Pin M3.0x16.8mm x2



116006R
Ball Bearing 8x16x5mm (Red Rubber Case) x2

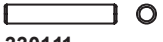


116012
Ball Bearing 15x21x4mm x2





104010
M5x4mm Set Screw (Flat Bottom) x2



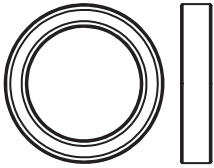
330111
Pin M2.5x14.8mm x2



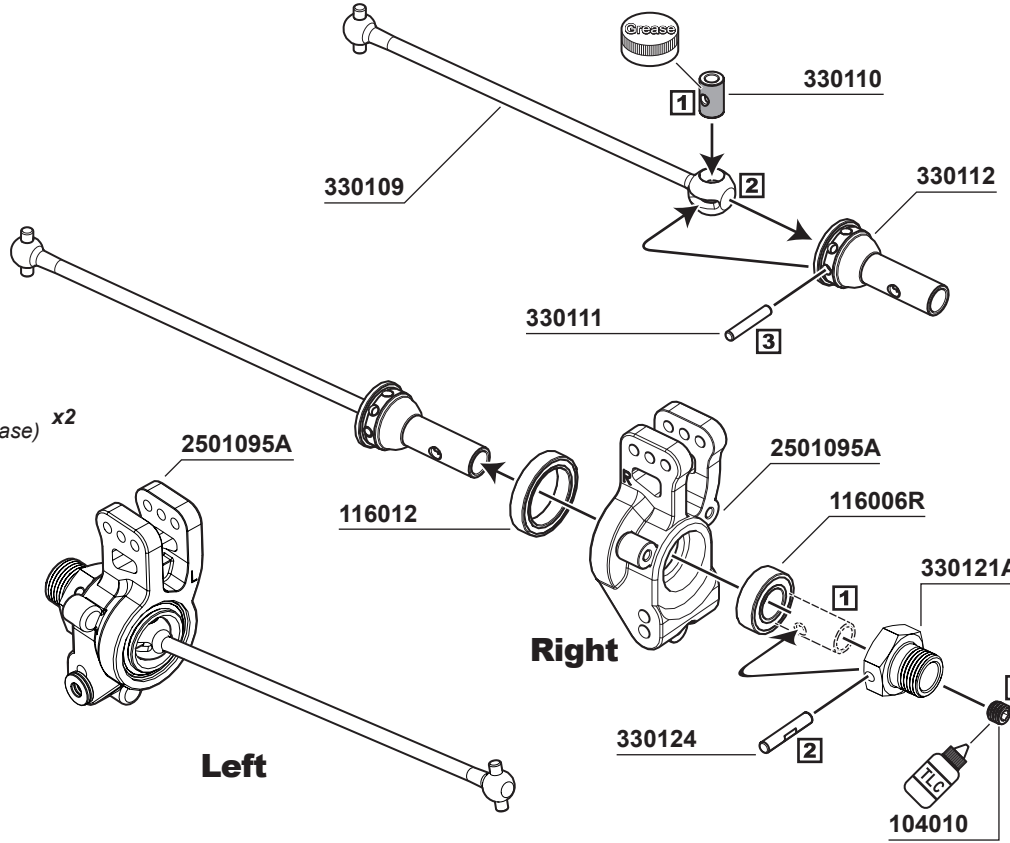
330124
Pin M3.0x16.8mm x2



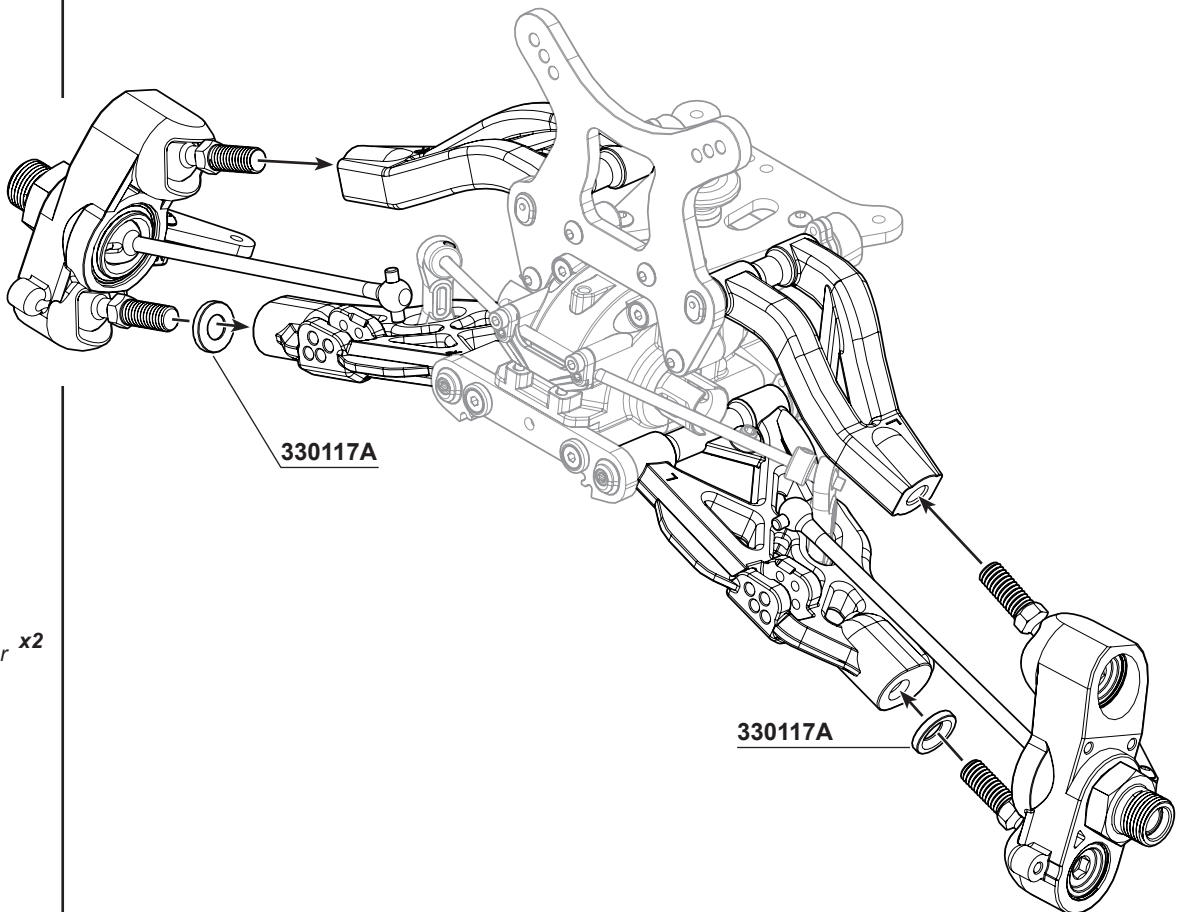
116006R
Ball Bearing 8x16x5mm (Red Rubber Case) x2

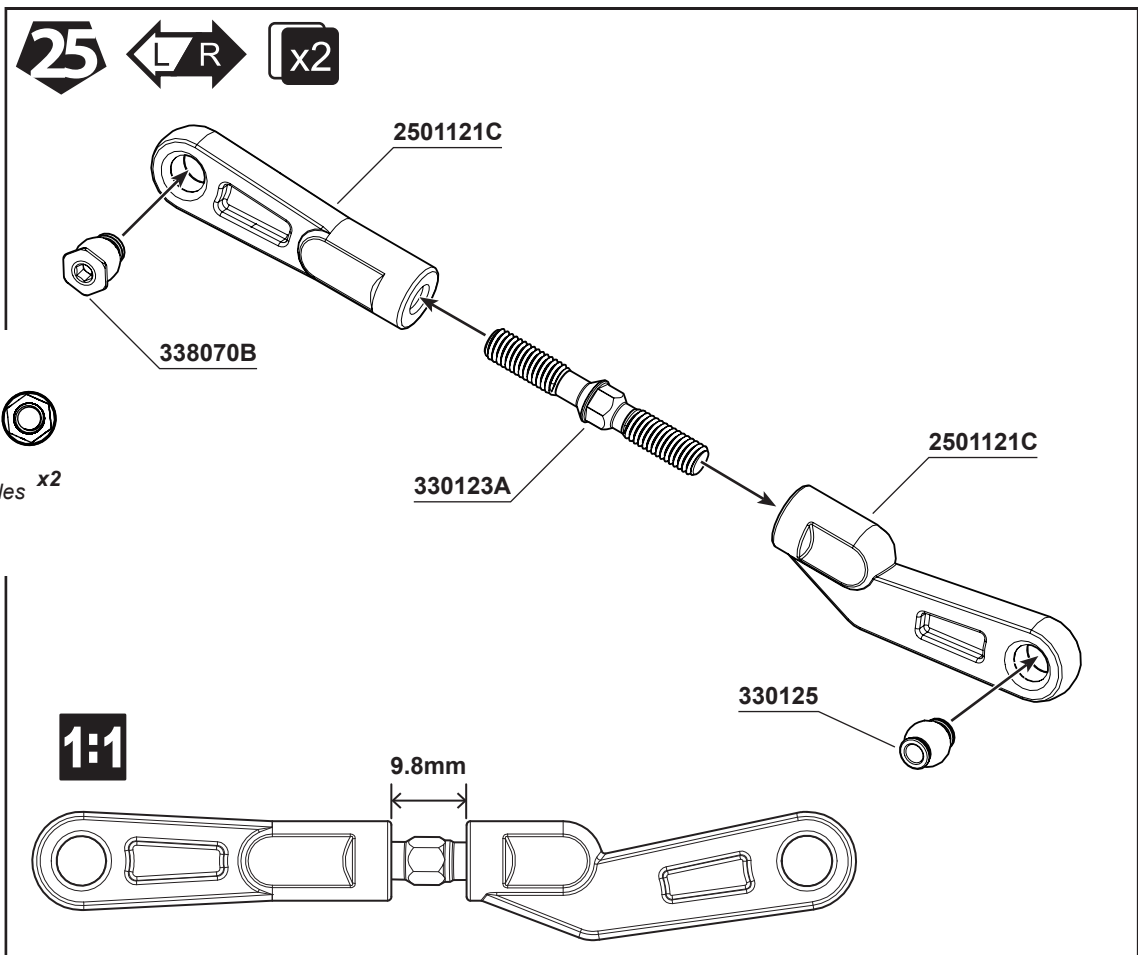
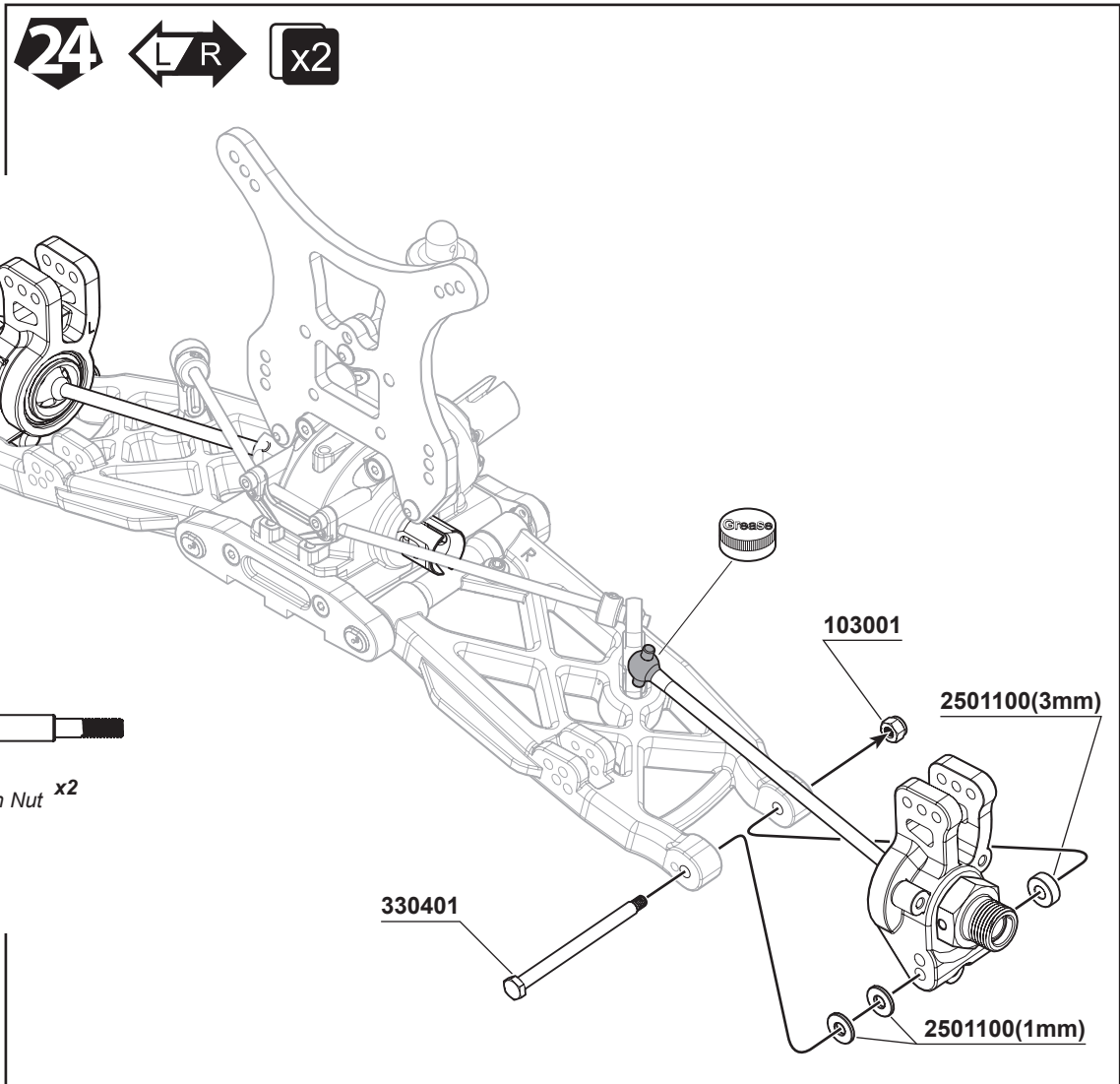


116012
Ball Bearing 15x21x4mm x2



330117A
Knuckle Pivot Ball Washer x2





26  **x2**



105011
M3x23mm Cap Screw **x2**



106002
M3x10mm Hex Socket OH/TP Screw **x2**



103001
M3 Nut Lock **x2**

105011



106002



103001

27

106008



2501097

103001



106008



103001

2501097

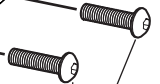


2501097

103001



106008



2501097



103001
M3 Nut Lock **x4**



106008
M3x12mm Hex Soked OH/TP Screw **x4**

28

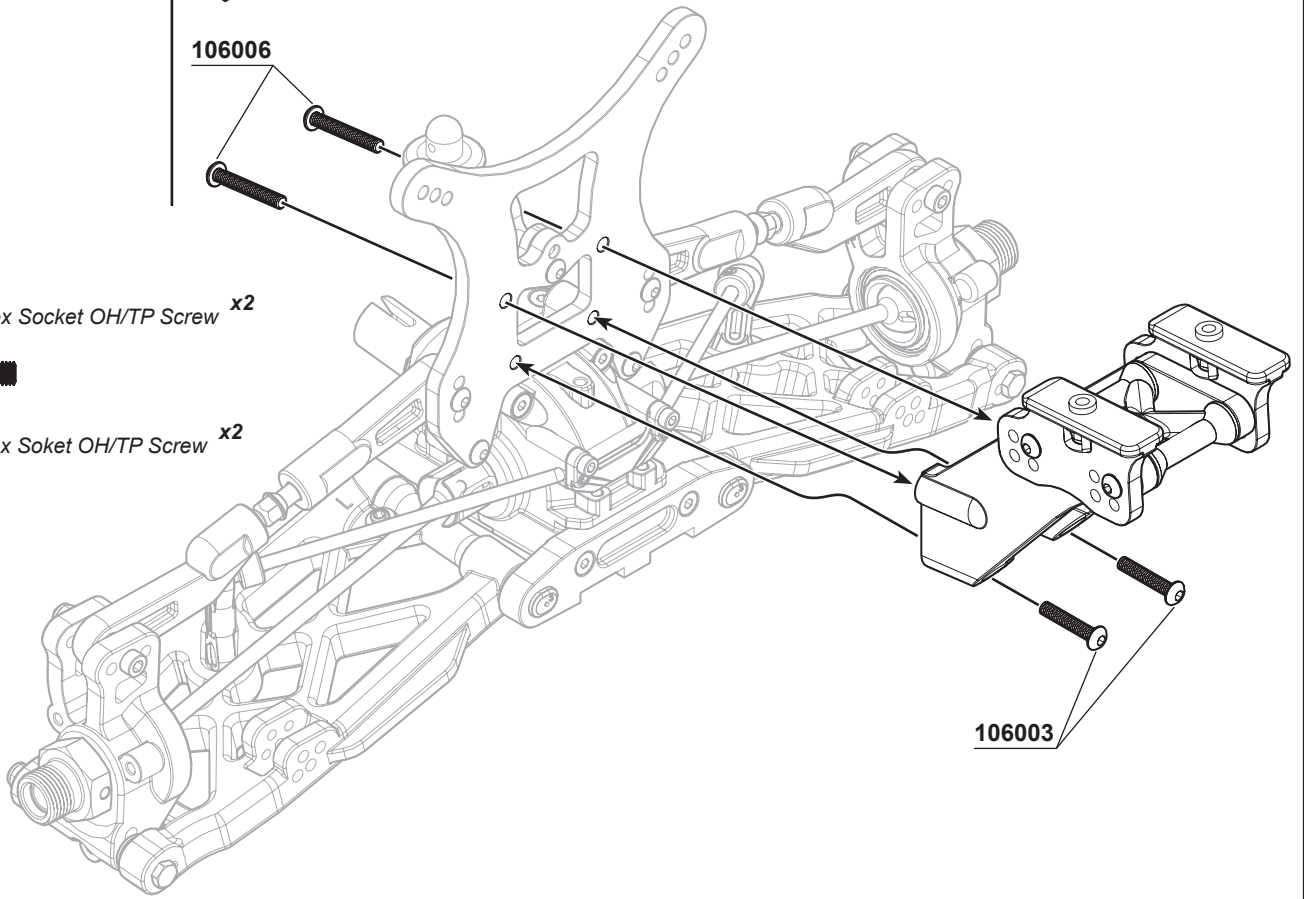
106006



106003
M3x16mm Hex Socket OH/TP Screw x2



106006
M3x20mm Hex Scket OH/TP Screw x2



106003

BAG F

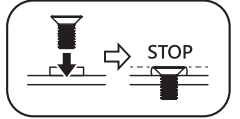
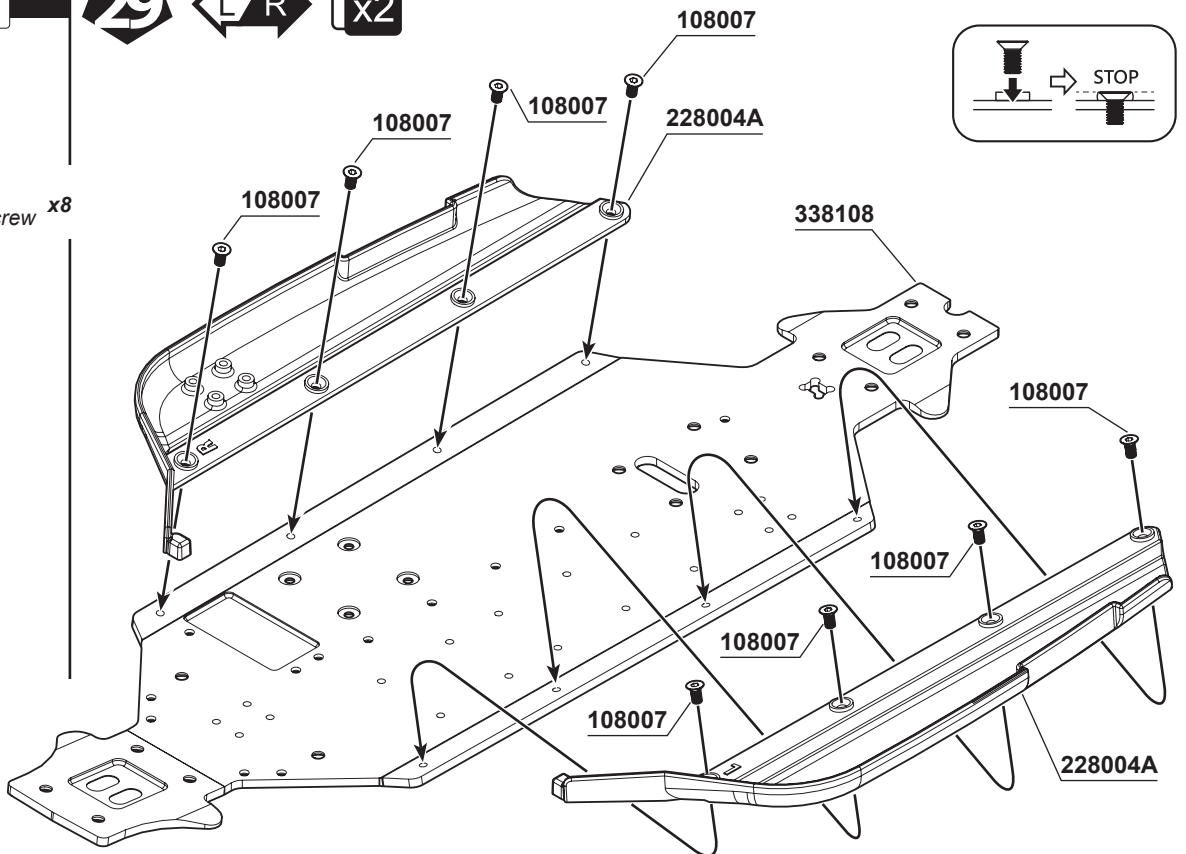
29



x2



108007
M3x6mm FH/ST HEX Screw x8



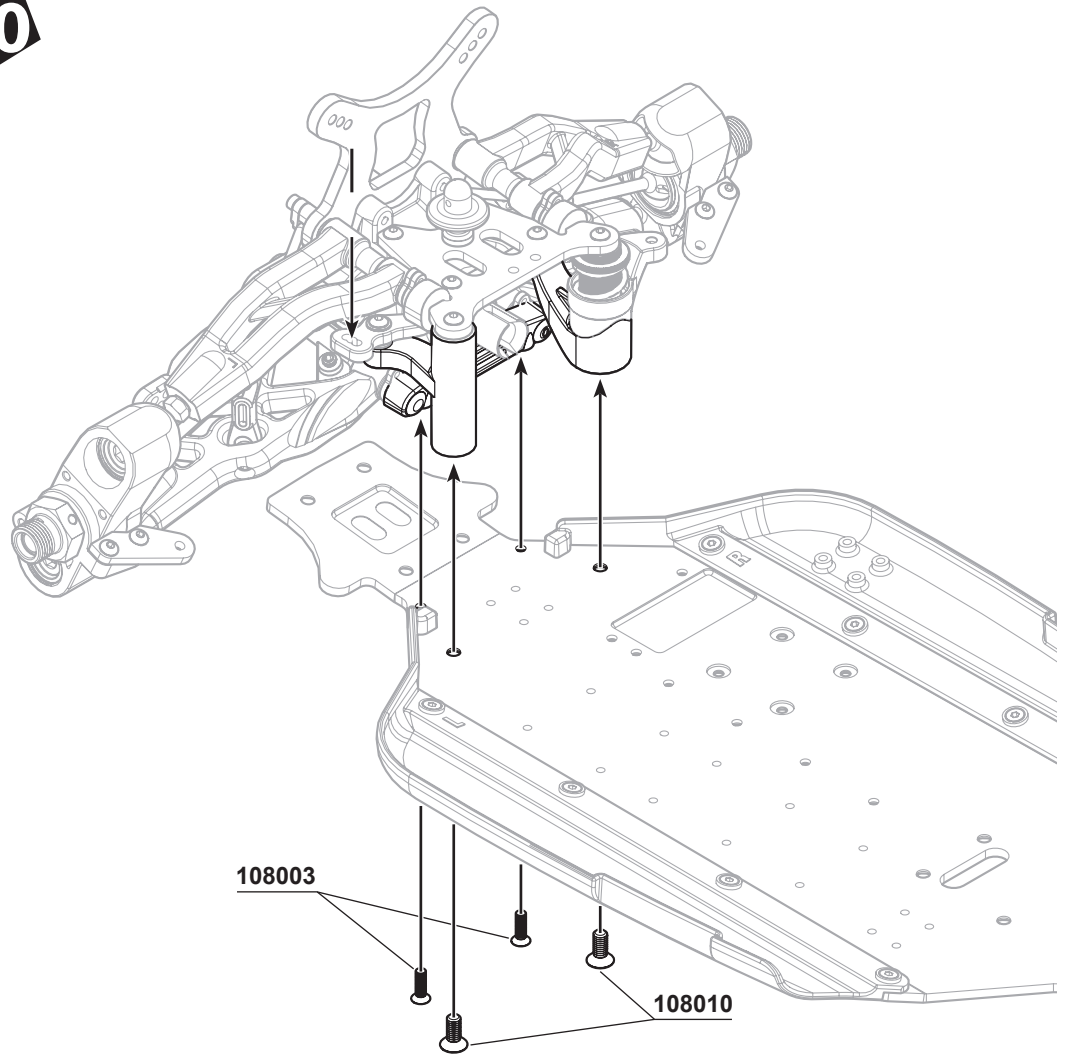
30



108003
M3x10mm FH/ST HEX Screw x2



108010
M4x10mm FH/ST HEX Screw x2

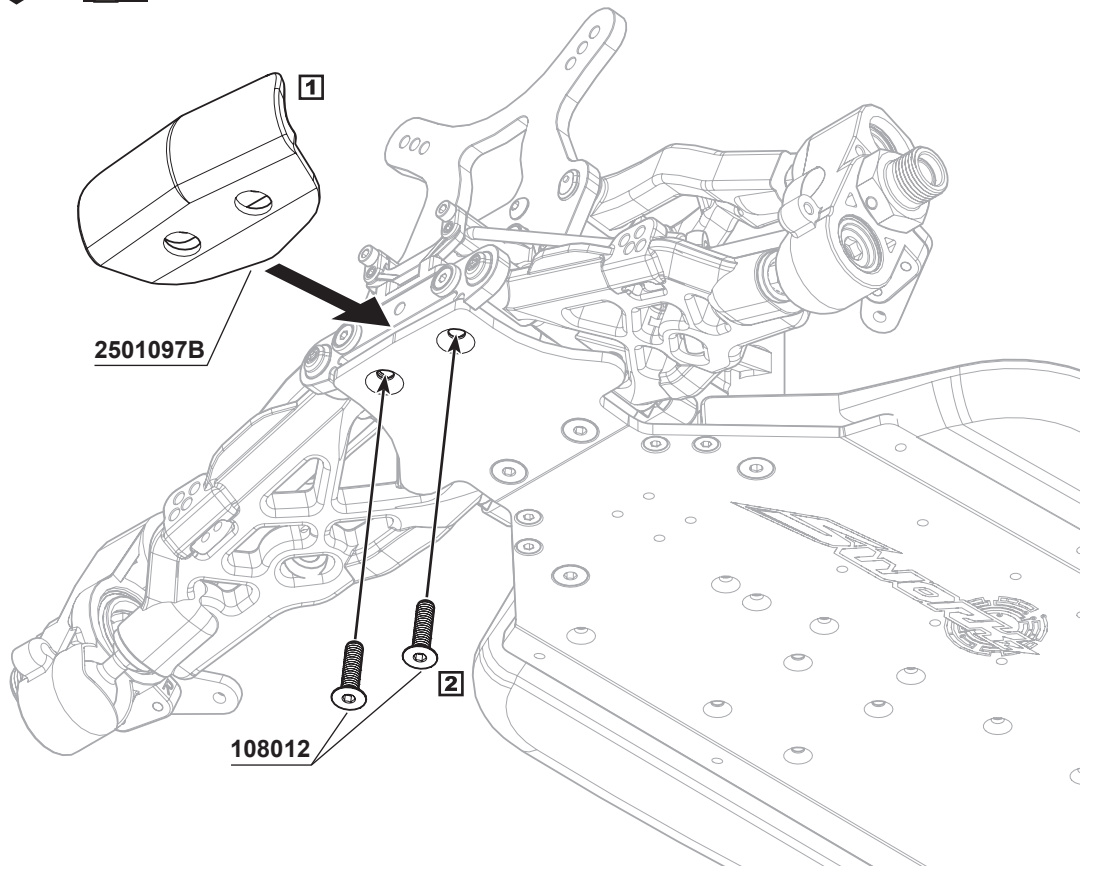


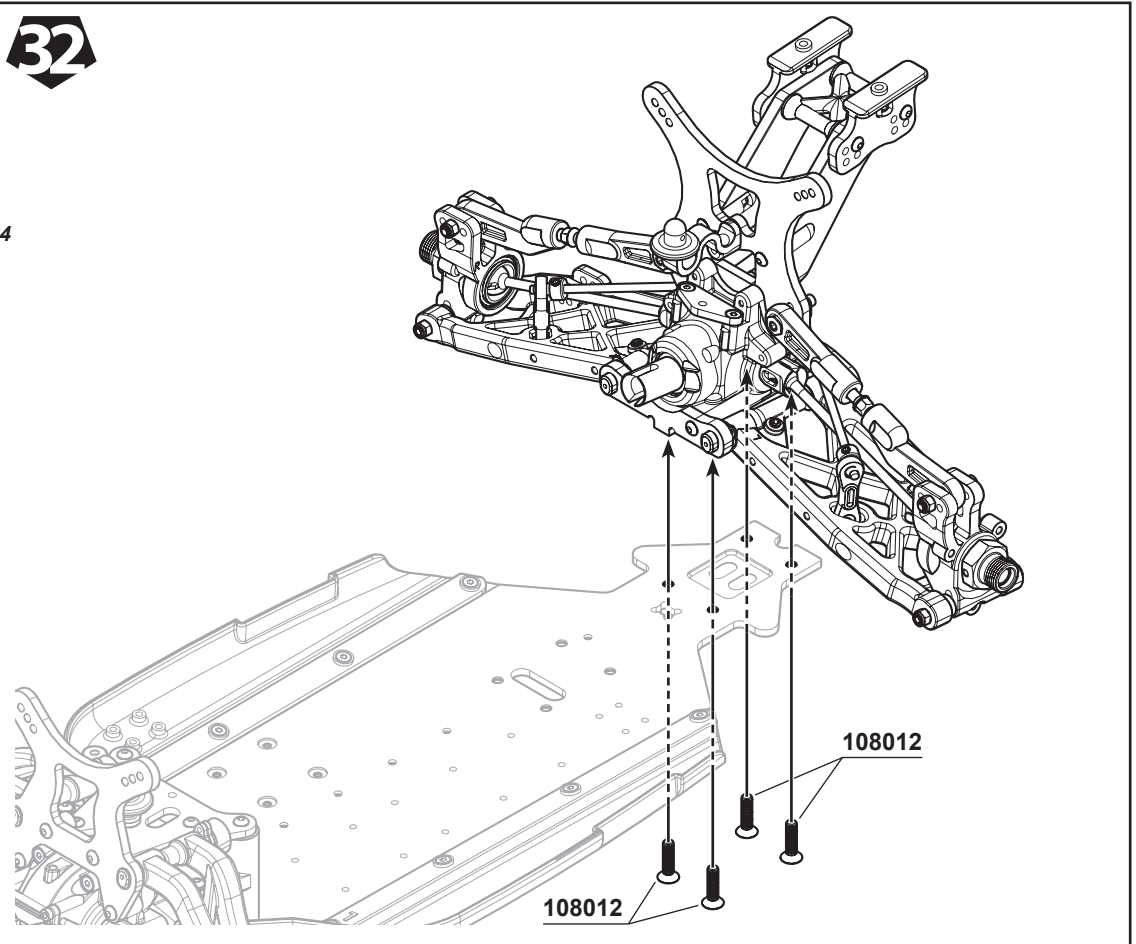
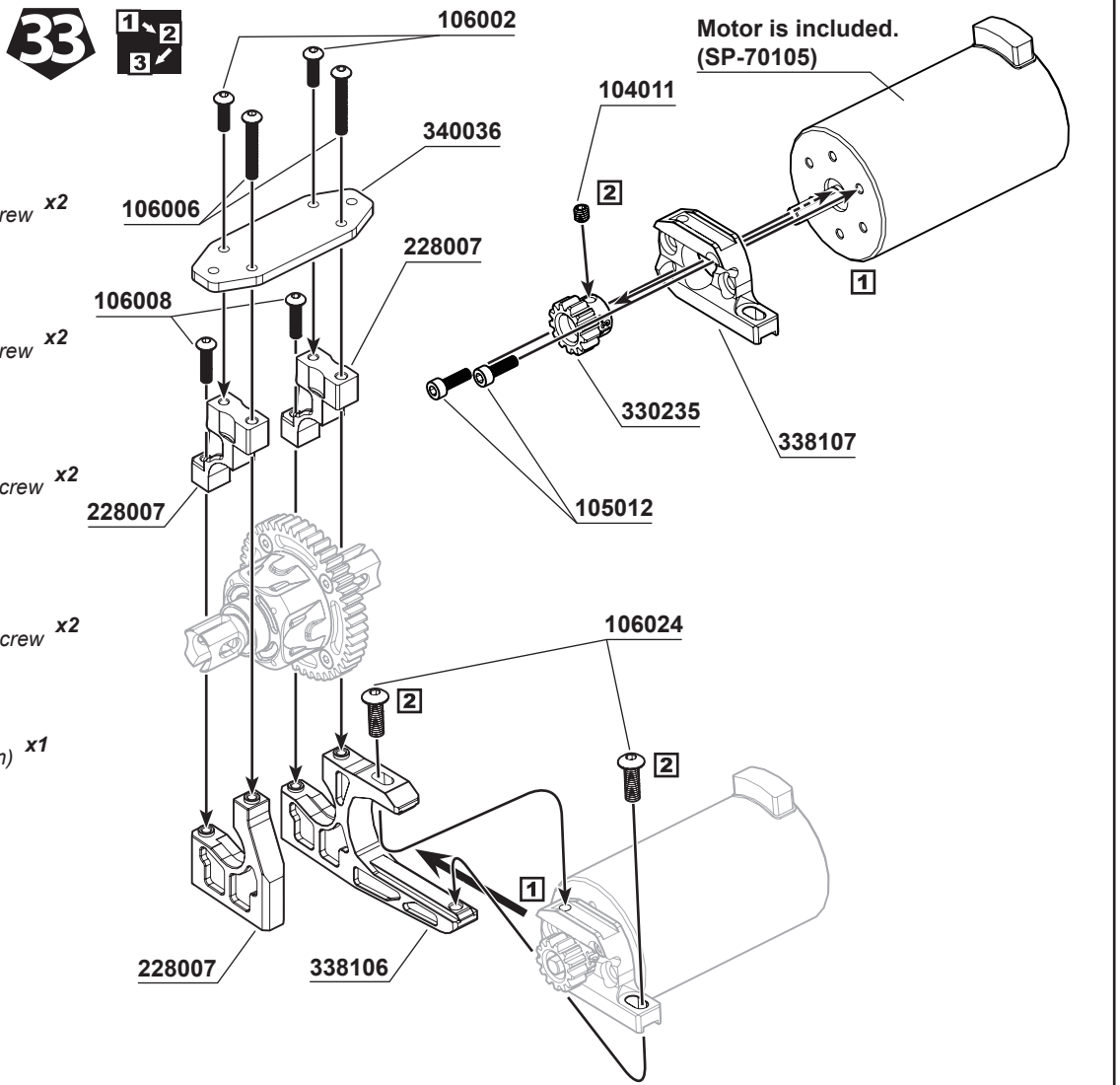
BAG F

31



108012
M4x16mm FH/ST HEX Screw x2



32**108012**
M4x16mm FH/ST HEX Screw **x4****BAG F****33****106002**
M3x10mm Hex Socket OH/TP Screw **x2****106006**
M3x20mm Hex Socket OH/TP Screw **x2****106008**
M3x12mm Hex Socket OH/TP Screw **x2****106024**
M4x12mm Hex Socket OH/ST Screw **x2****104011**
M4x4mm Set Screw (Flat Bottom) **x1****105012**
M3x10mm Cap Screw **x2**

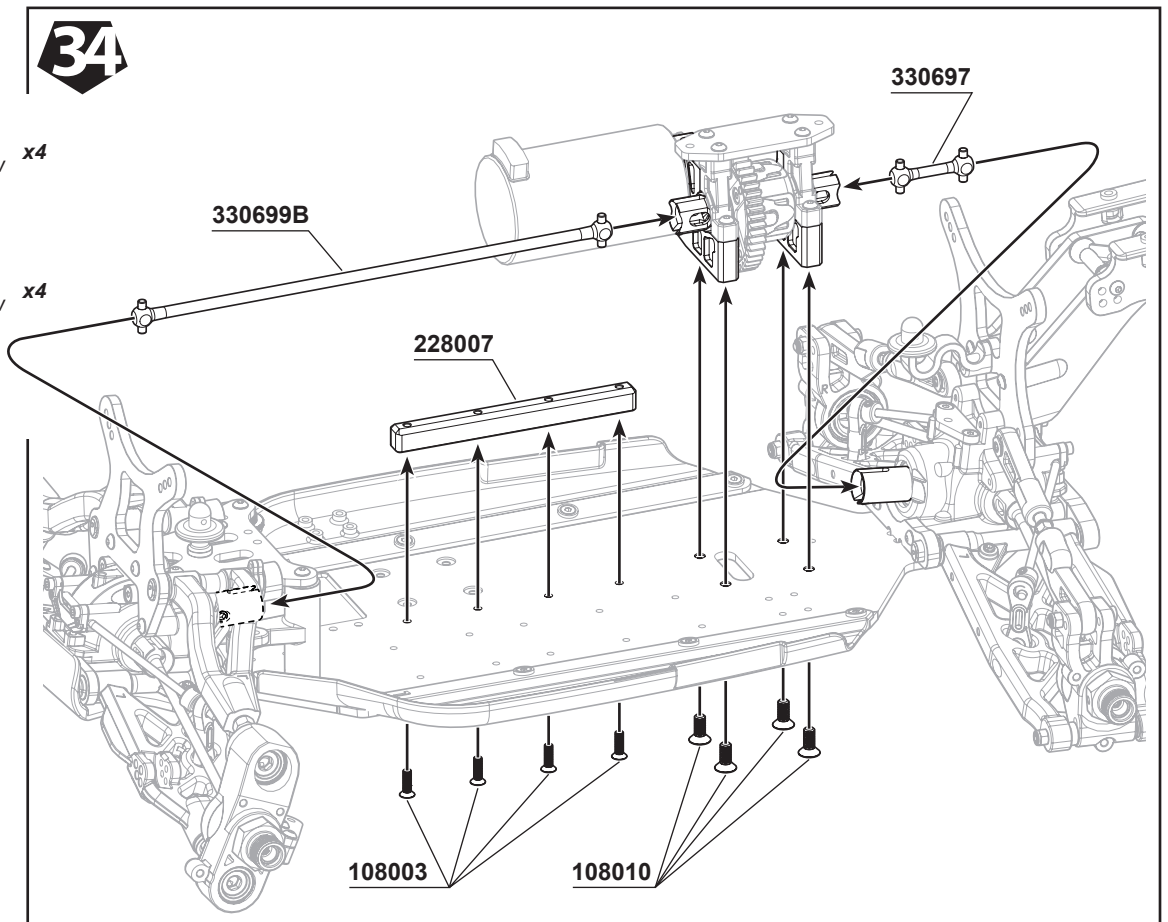
34



108003
M3x10mm FH/ST HEX Screw x4



108010
M4x10mm FH/ST HEX Screw x4



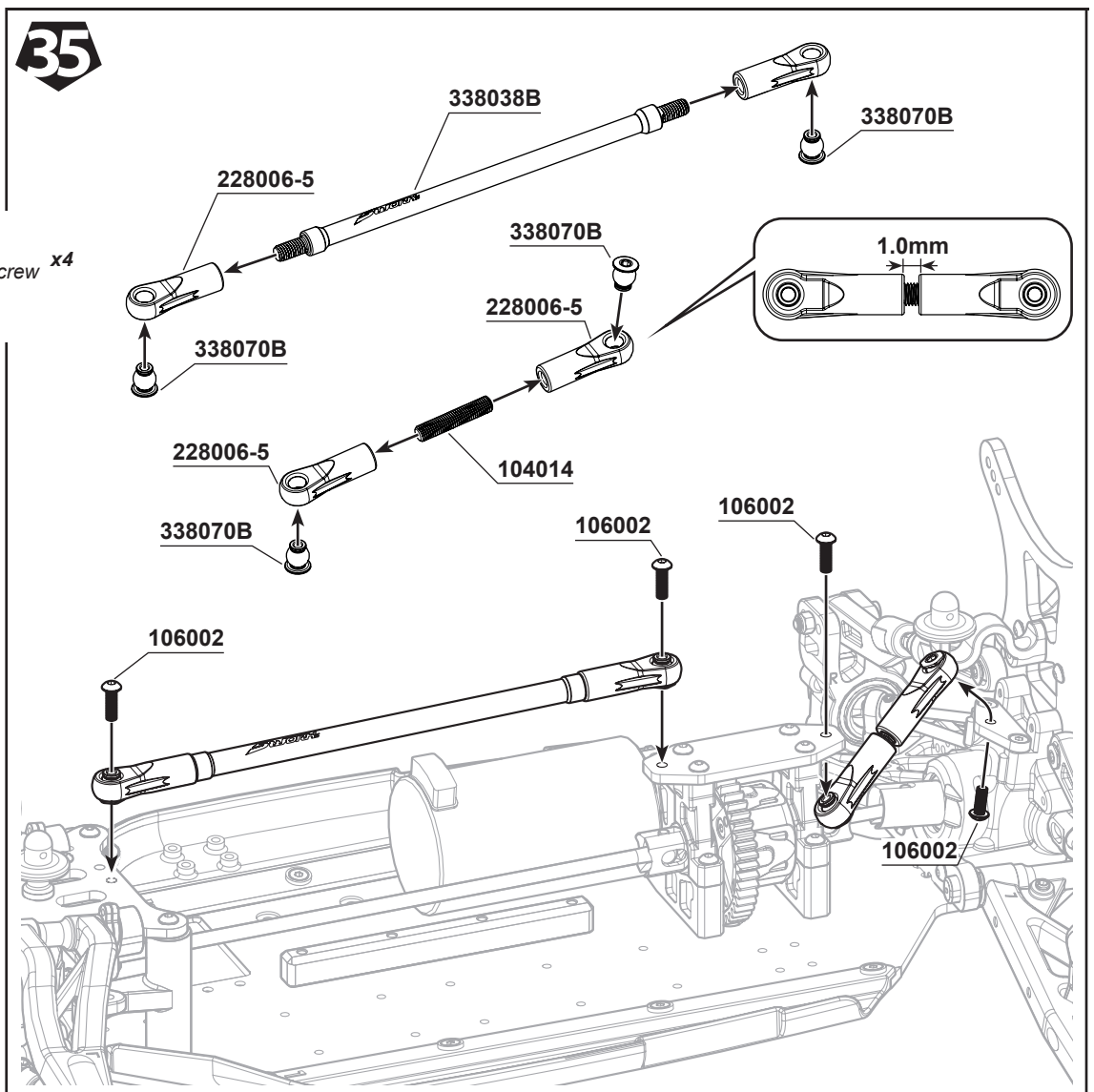
35



106002
M3x10mm Hex Soket OH/TP Screw x4



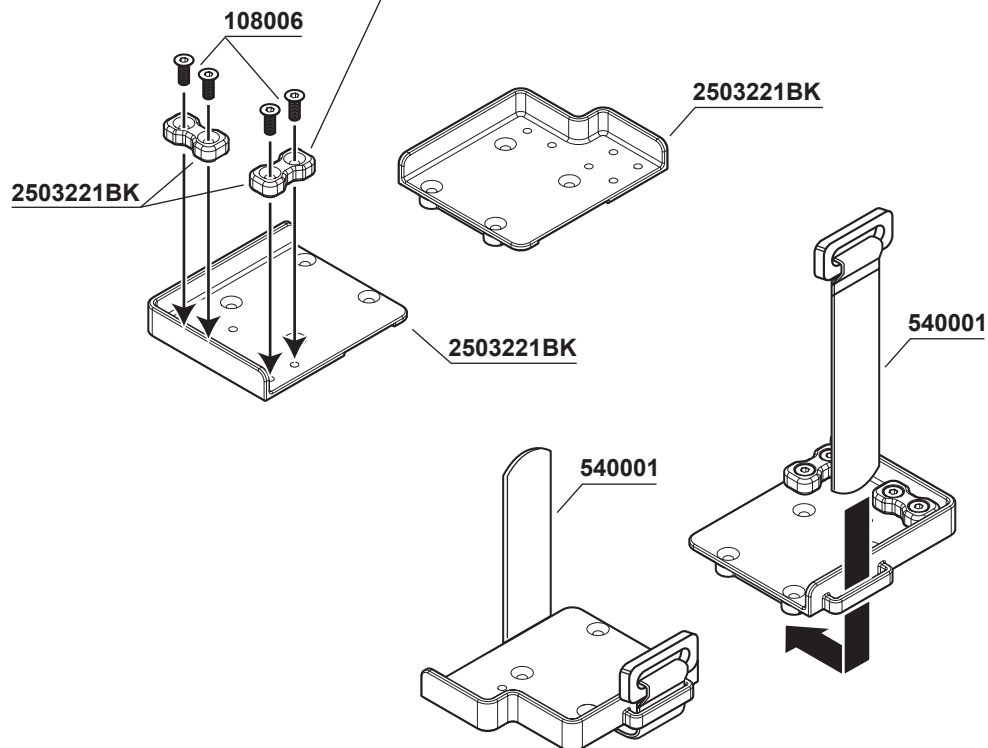
104014
M5X25mm set screw x1



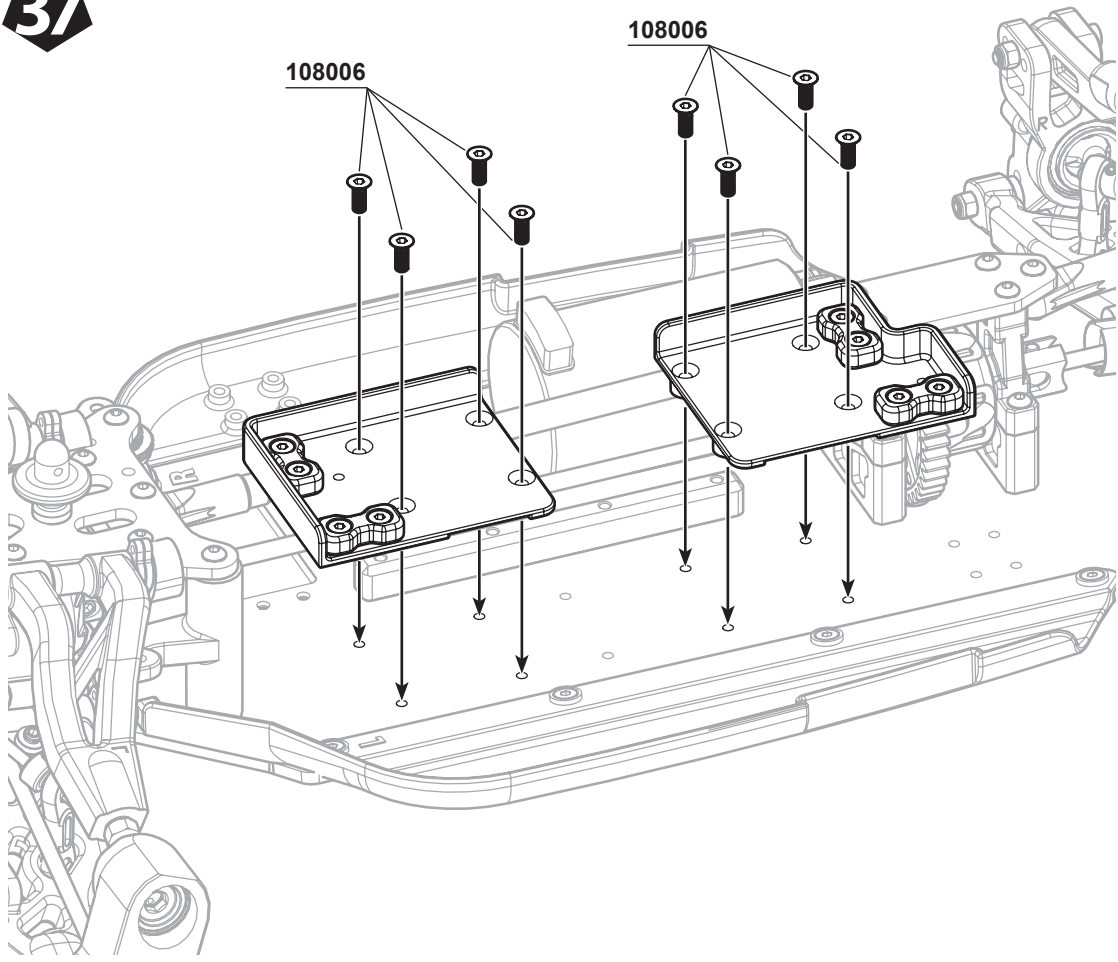


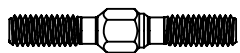
108006
M3x8mm FH/ST HEX Screw x8

The 2503221BK Battery Stoper must be suit for different Lipo Battery style.



108006
M3x8mm FH/ST HEX Screw x8





330813
Steering Turnbuckle **x2**

330777A



2501121C

330813

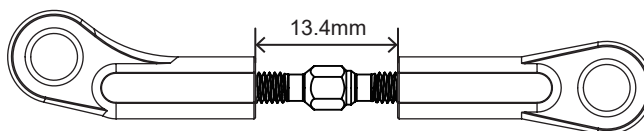
Left

2501121C

330777A

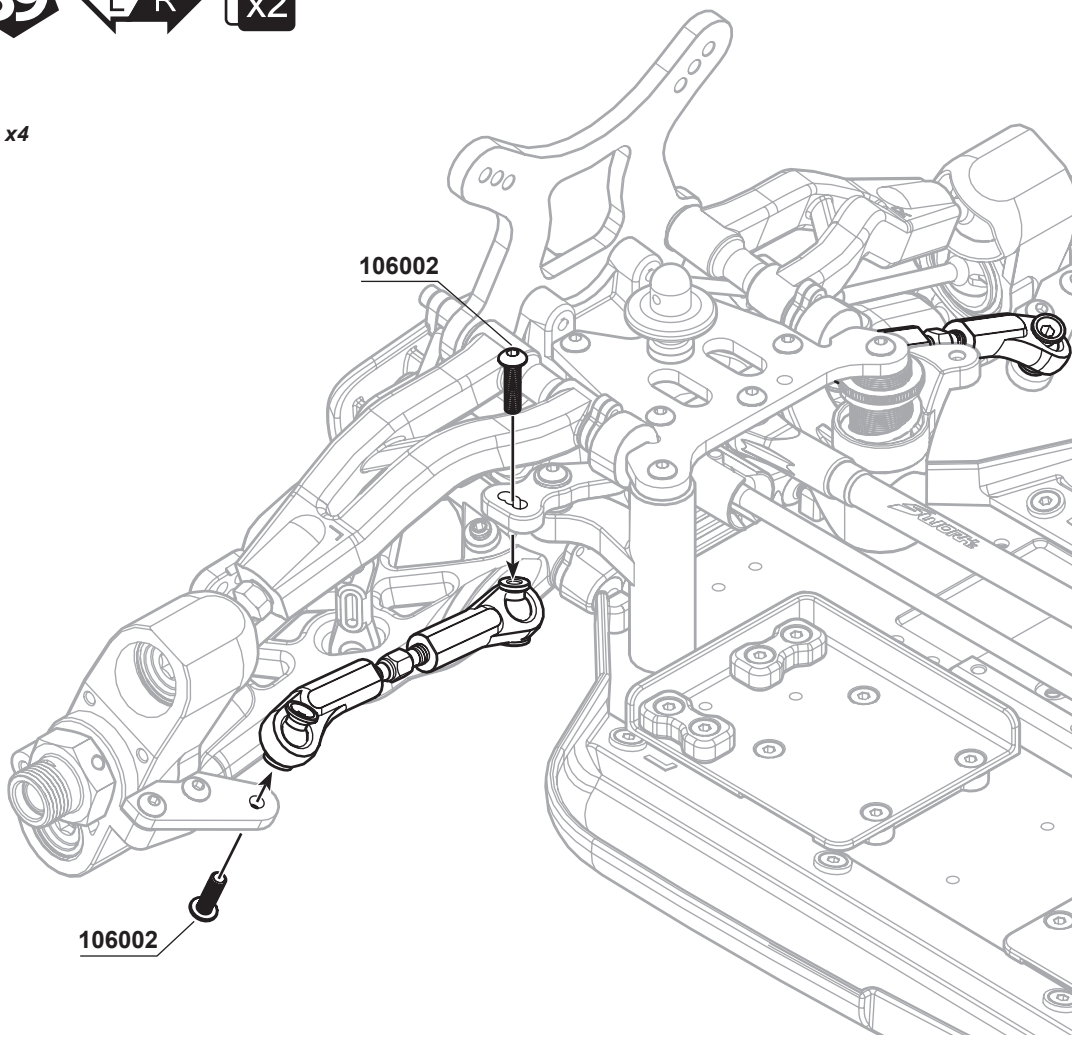
Right

1:1



106002
M3x10mm Hex Soket OH/TP Screw **x4**

106002



106002



104009
M3x16mm Set Screw x1



106008
M3x12mm Hex Socket OH/TP Screw x4



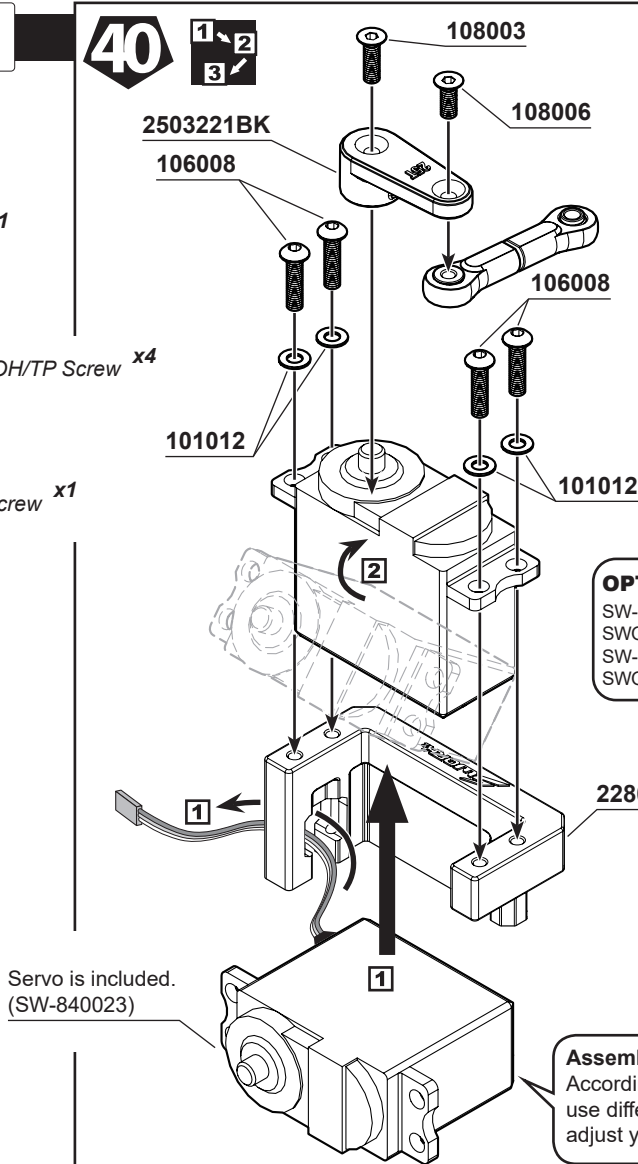
108006
M3x8mm FH/ST HEX Screw x1



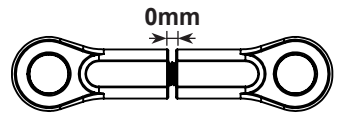
108003
M3x10mm FH/ST x1



101012
M3x6xT0.6mm x4



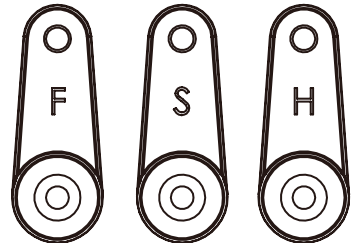
1:1



OPTION:

- SW-338078-25
- SWORKz Uni-Design 2-Way System Aluminum Steering Servo Horn 25T
- SW-338078-23
- SWORKz Uni-Design 2-Way System Aluminum Steering Servo Horn 23T

1:1



25T

23T

24T

Assembly Note:

According to different brands servo, you can use different servo hold inserts and screws to adjust your servo position.



106007
M3x12mm Hex Socket OH/TP Screw(HT) x1



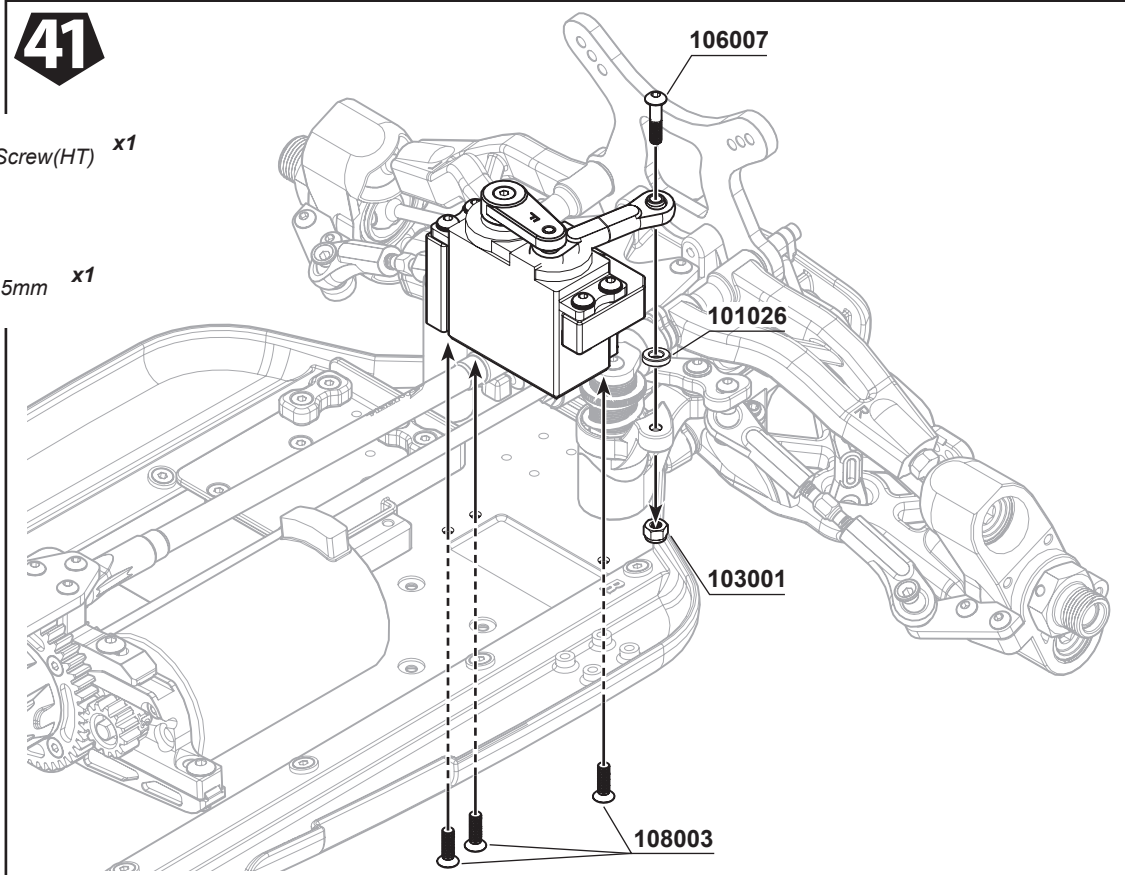
101026
S102 Aluminum Washer 3X6X1.5mm x1



108003
M3x10mm FH/ST x3



103001
M3xNut Lock x1

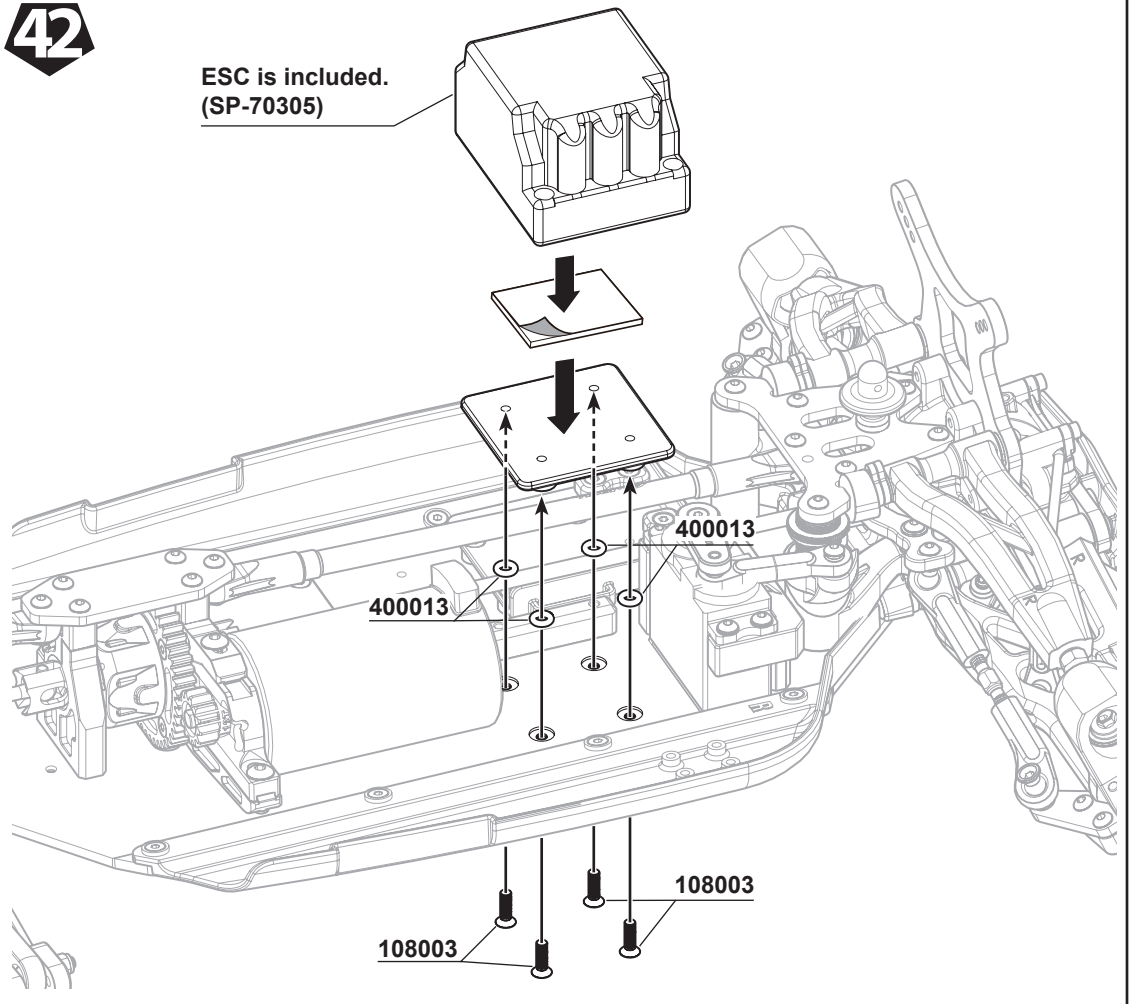




108003
M3x10mm FH/ST x4

42

ESC is included.
(SP-70305)



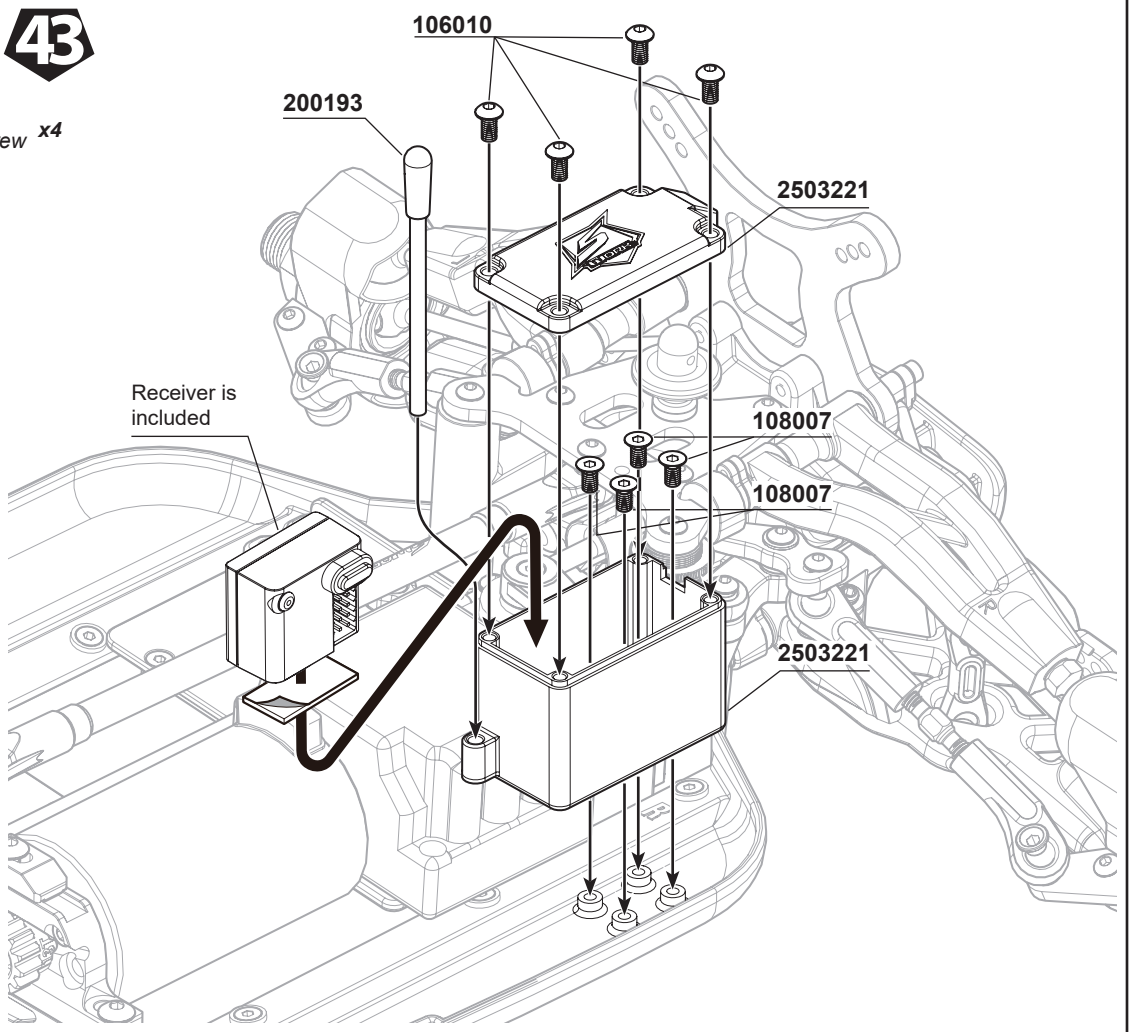
106010
M3x6mm Hex Socket OH/TP Screw x4

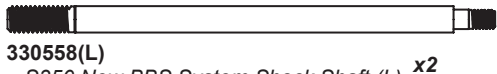


108007
M3x6mm FH/ST HEX Screw x4

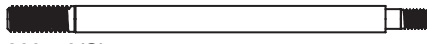
43

Receiver is included





330558(L)
S350 New BBS System Shock Shaft (L) x2



330559(S)
S350 New BBS System Shock Shaft (S) x2



103004
M2.5mm Nut Lock x4



210058
Shock Seal Washer 3.5X7X1.0mm x4



210058
Shock Seal Washer 3.6X7X2.5mm x8



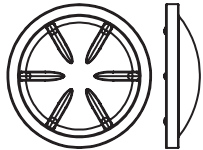
101011
M2.6x6xT0.6mm x4



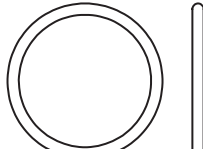
210058
Shock Seal O-Ring x8



400020
Shock Seal O-Ring x4



400022-AS
Shock Bladder (Medium) x4



400019
Shock Spring Adjust Nut O-Ring x4

Front 330636

Rear 330635

Front 330634

Rear 330633

103004

101011

330562A



400020

210058

210058

330557

2501121C

Front 400010(S)

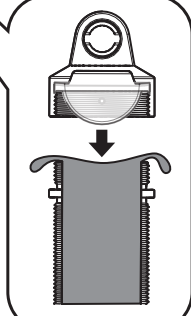
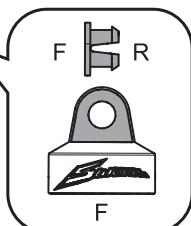
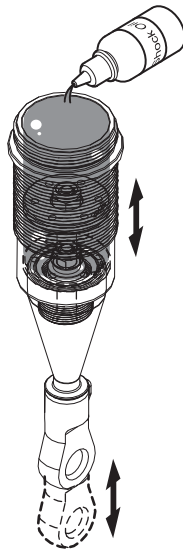
Rear 400009(L)

45

330554

2501121D-10

420022A-S



1:1

31~31.5 mm

40~40.5 mm

46



115168
S35 Series Black Competition Rear Shock Spring (L2-Dot)(86X1.6X10.75) x2



115170
S35 Series Black Competition Front Shock Spring (S3-Dot)(70X1.6X8.5) x2

2501121C

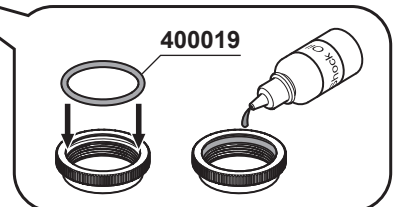
330560R

330134

Front 115170

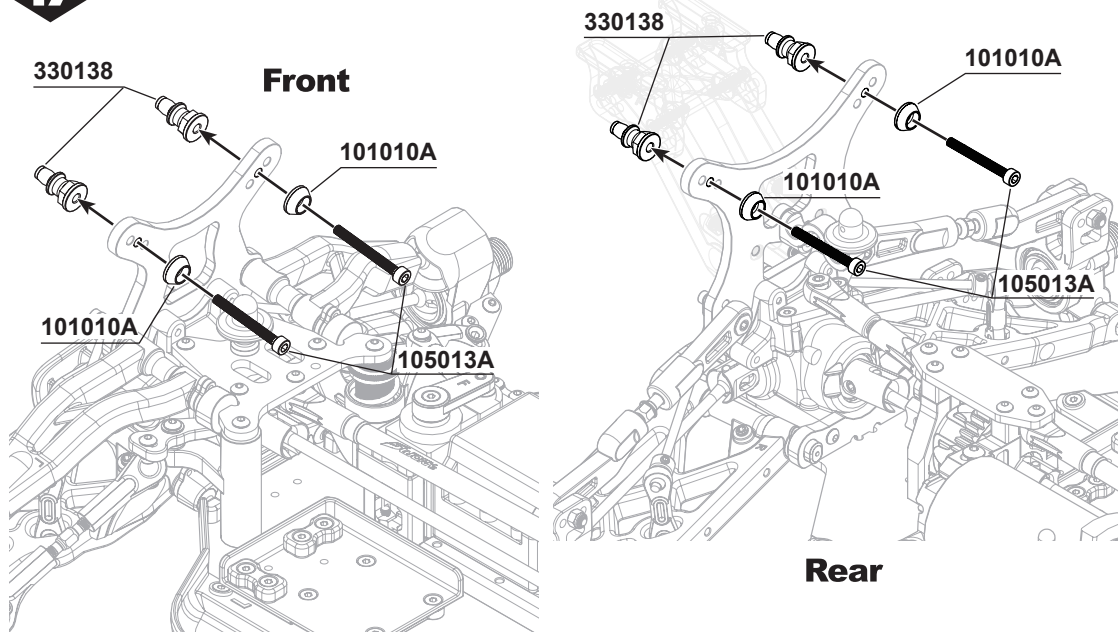
Rear 115168

400019





105013A
M3x25mm Cap Screw **x4**

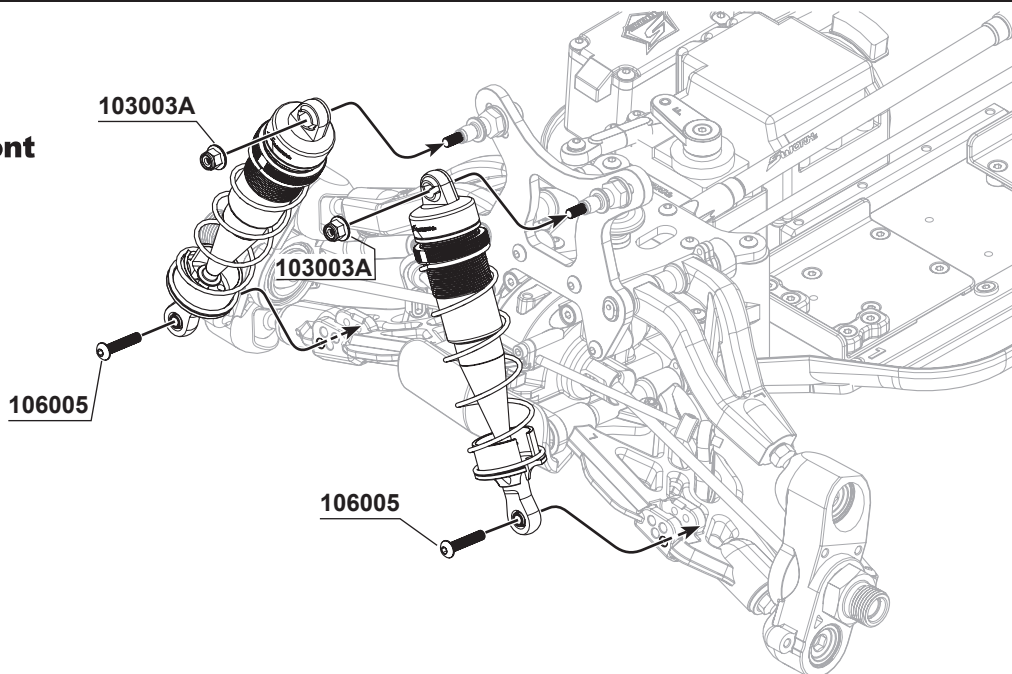


103003A
Flange M3 Nut Lock **x4**

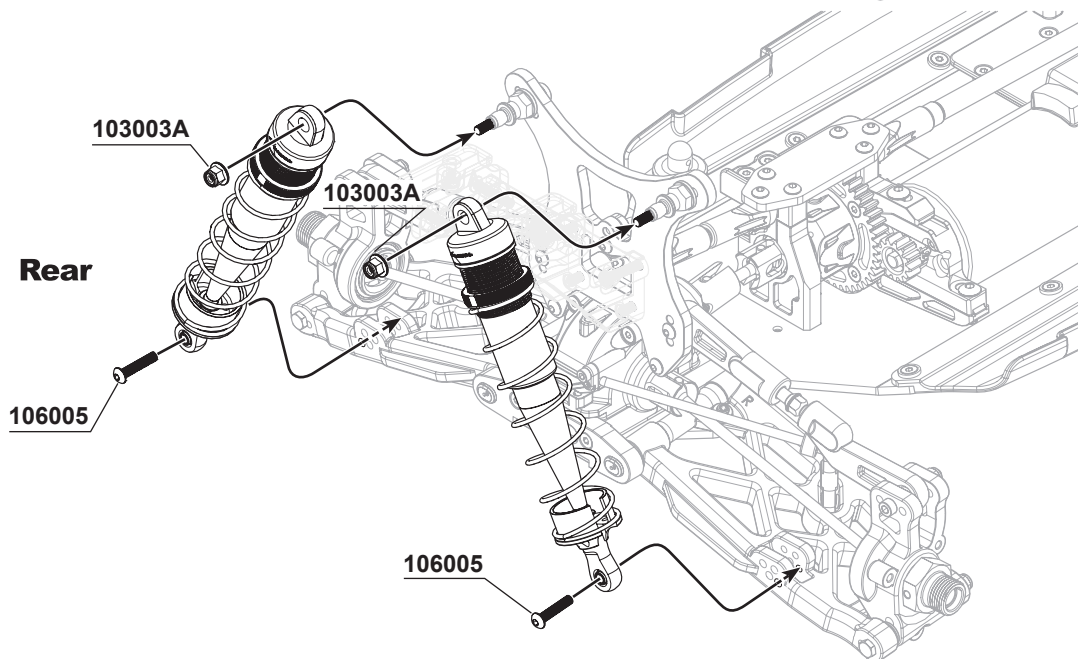


106005
M3x15mm Hex Socket OH/TP Screw **x4**

Front

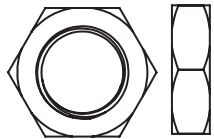
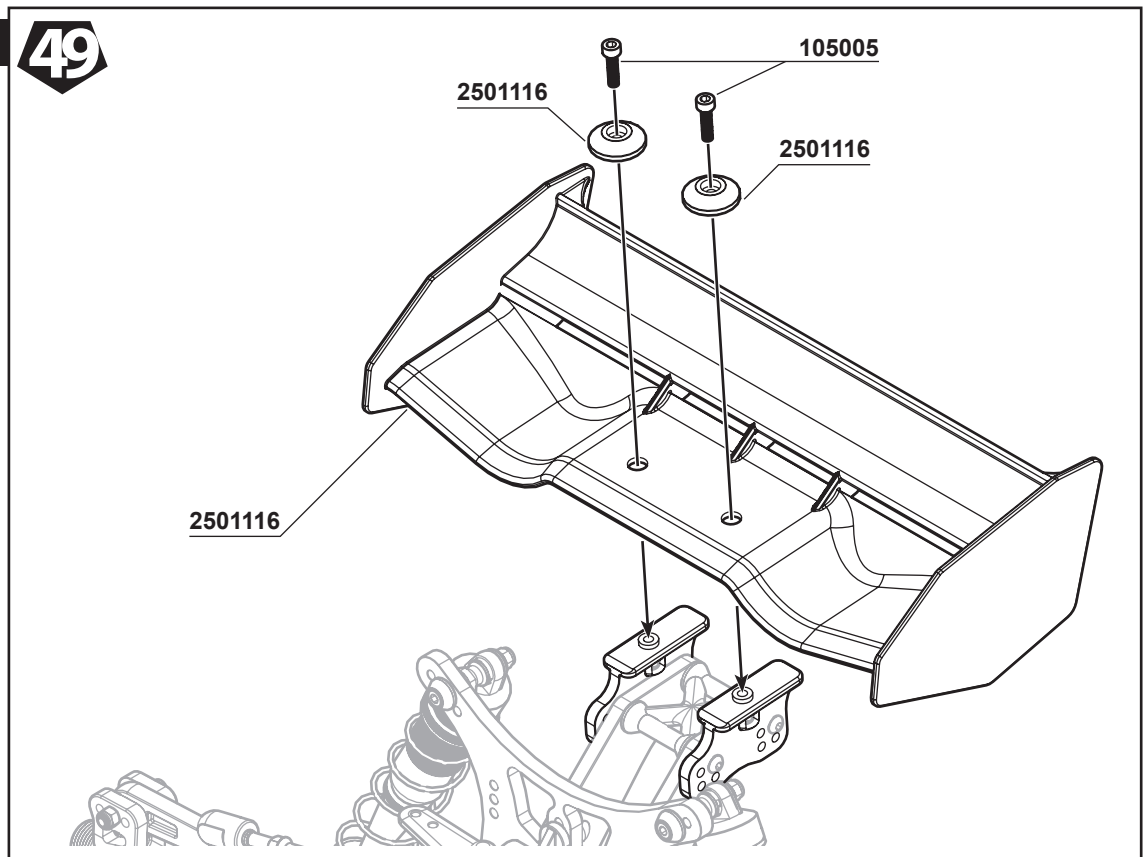


Rear



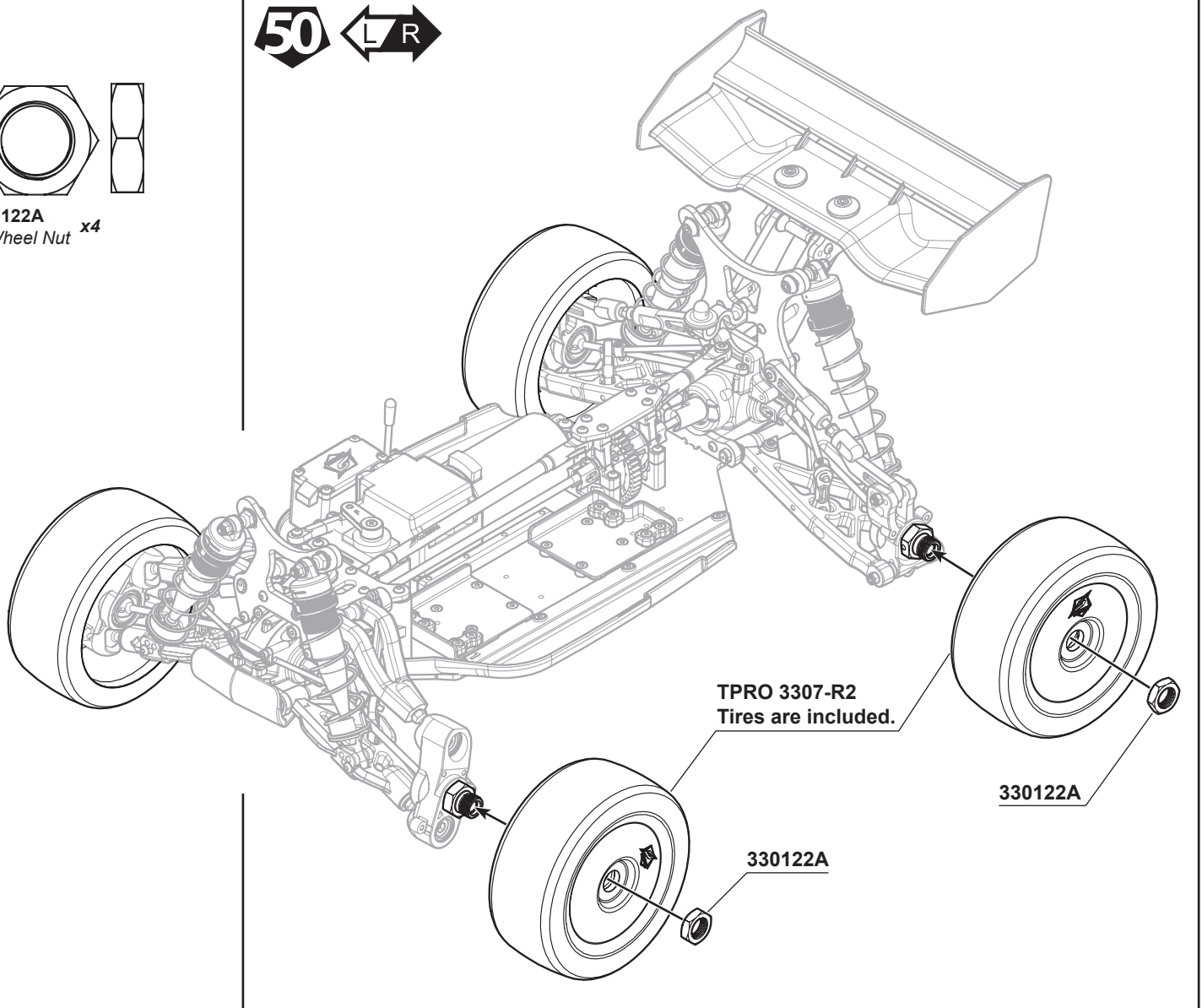


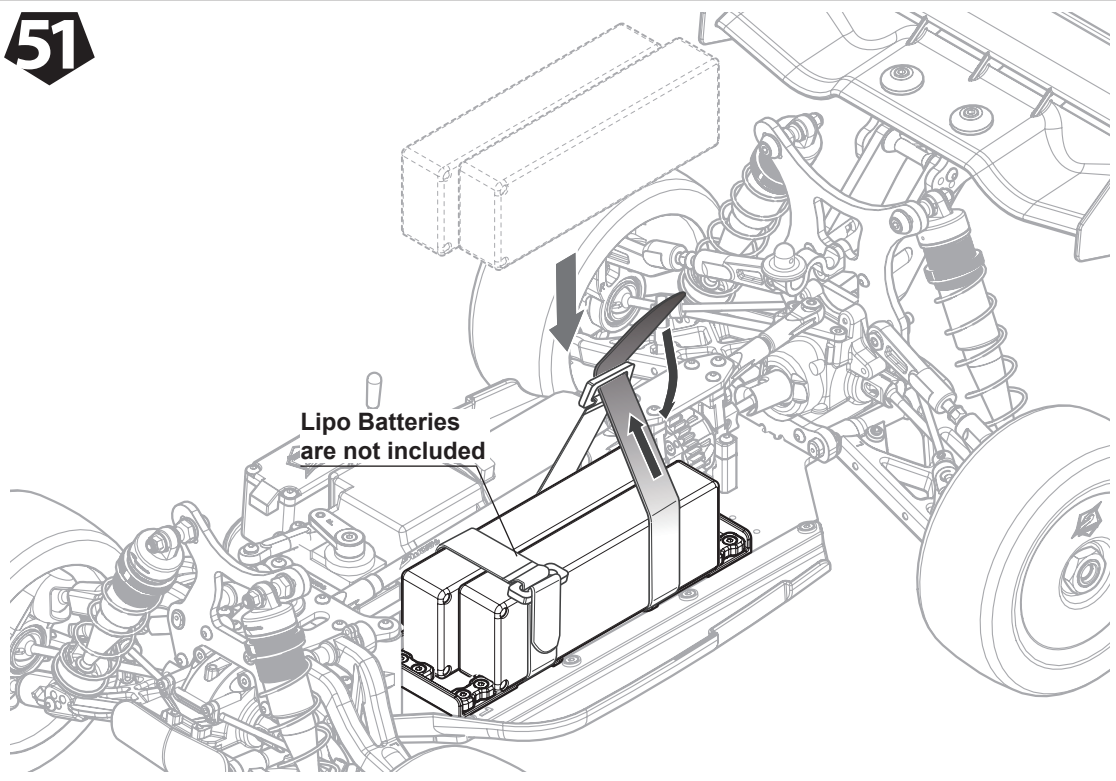
105005
M3x12mm Cap Screw **x2**



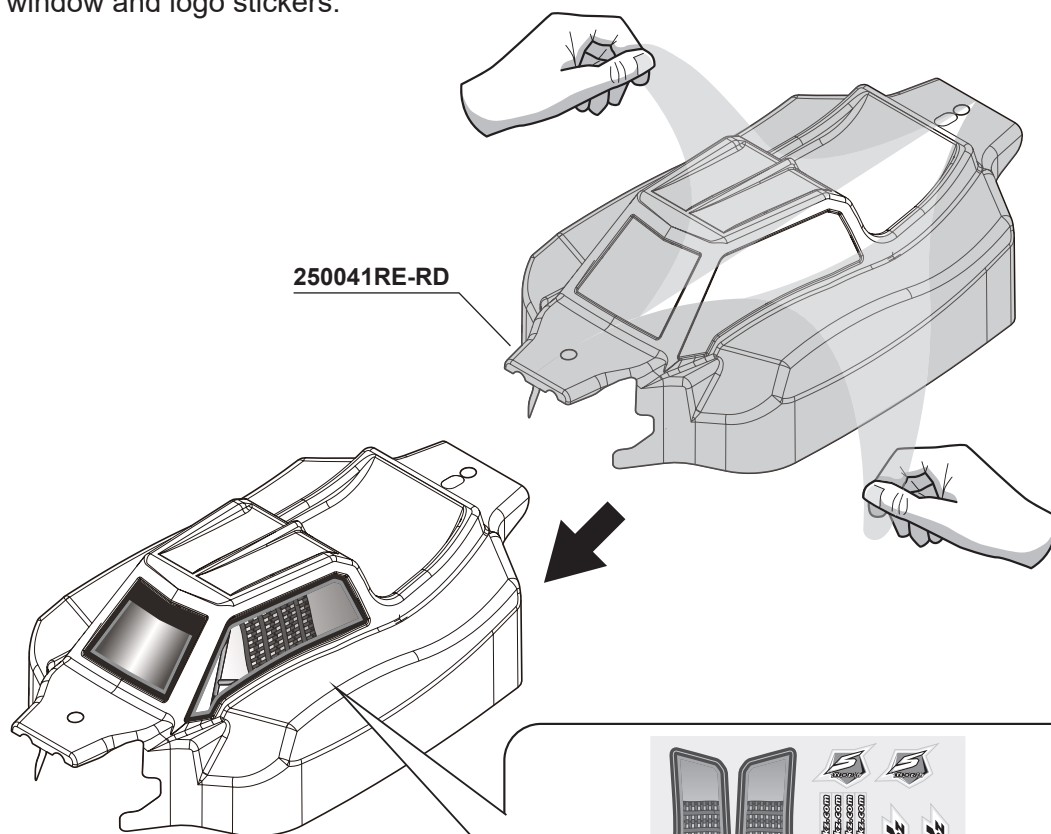
330122A
Wheel Nut **x4**

50 **L** **R**



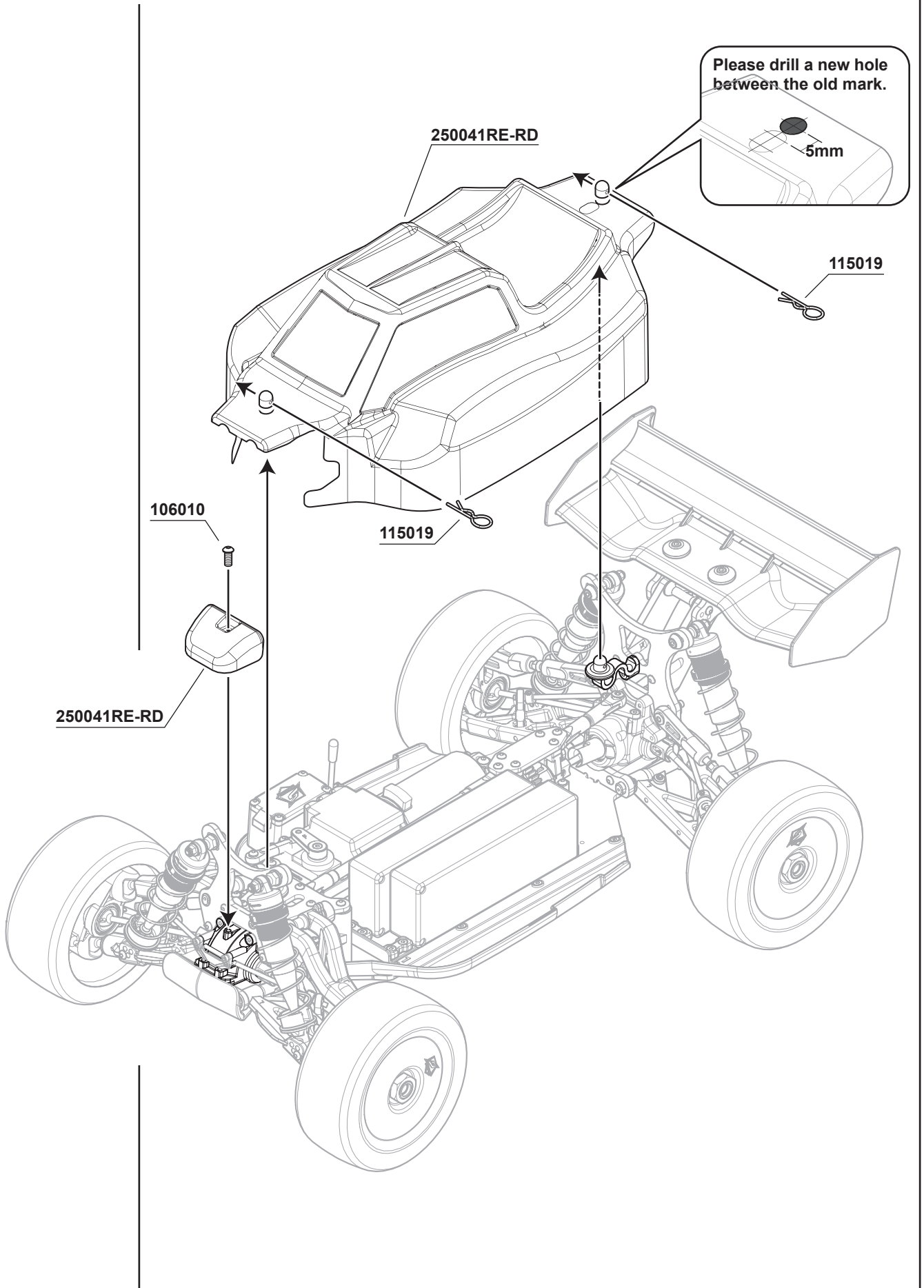


Take off thin plastic protective layer from outside of the body shell, then put on the window and logo stickers.





106010
M3x6mm Hex Socket OH/TP Screw x1



Parts No. List

Part No.	Part Name	Q'ty in Use	Item No.	Part No.	Part Name	Q'ty in Use	Item No.
228004A	S35-4 Series Plastic Side Guard Set with Stopper	1	SW-228004A		Throttle Servo Horn (For Hitec)	1	
210002B	S35/S350 Series Big Bore Diff Case	3	SW-210002B		Brake Servo Horn	1	
2501093B	S350 EVO I/II BBS Front Lower Arm (L)	1	SW-2501093B	2502036	S350 Series Rear Lower Arm Plate Changable Insert (2/3.5 Degree)	1	SW-2502036
	S350 EVO I/II BBS Front Lower Arm (R)	1			S350 Series Rear Lower Arm Plate Changable Insert (3 Degree)	4	
2501094C	S350 Series S35 Competition Rear Lower Arm (R)	1	SW-2501094C		S350 Series Rear Changable Plastic Lower Arm Plate	4	
	S350 Series S35 Competition Rear Lower Arm (L)	1			S350 Sries Aluminum Front Changable Lower Arm Holder Insert (0-1 Degree)	8	
2501095A	S350 Rear Hub Carrier Set (Also for LDS) (L&R)	1	SW-2501095A	2501469	BE1 Supar Gear 45T Plastic	1	SW-2501469
2501097	Front Bumper	1	SW-2501097		BE1 Supar Gear 46T Plastic	1	
	Wing Stay (L)	1			BE1 Supar Gear 47T Plastic	1	
	Wing Stay (R)	1		2501667	BK1 EVO Settring Bellcrank Upper (R)	1	SW-2501667
	Wing Stay Holder	1		2503221BK	S35-2E Battery Case (F)	1	SW-2503221BK
	Wing Support (L)	1			S35-2E Battery Case (R)	1	
	Wing Support (R)	1			S35-2E Steering Servo Horn (For 25T)	1	
	Rear Body Mount	1			S35-2E Steering Servo Horn (For 24T)	1	
	Front Body Mount	1			S35-2E Steering Servo Horn (For 23T)	1	
2501098A	S350 Front Steering Knuckle Set (Also for LDS) L	1	SW-2501098A		S35-2E Receiver Box Botton Case	1	
	S350 Front Steering Knuckle Set (Also for LDS) R	1			S35-2E Receiver Box Cover	1	
2501099	R/F Insert (1 degree)	4	SW-2501099		S35-2E Battery Holder	4	
	R/F Insert (0 degree)	4			S35-2E ESC Protection Mount	1	
	F/F Insert (1 degree)	4		228006-5	S35 Series Rear Upper Arm Linkage Ball End (S)	6	SW-228006-5
	F/Up Insert (1 degree)	8		228007	S35-4E Buggy Series Steering Servo Mount/Center Diff Mount Plastic Parts	1	SW-228007
	Brake Linkage Holder	4		210058	S350 New BBS System Shock Seal Washer 3.6X7X2.5mm	8	SW-210058
	Throttle Linkage Holder	2		210058	S350 New BBS System Shock Seal Washer 3.5X7X1.0mm	4	SW-210058
	Throttle Linkage Holder (Done)	2		200193	Antenna Tube	1	SW-200193
	Throttle Linkage Holder (Up)	2		250041RE-RD	S350 Falcon II Pre-painted and Pre-Cut Body Shell (For EP Buggy)(RD)	1	SW-250041RE-RD
2501100	Pivot Ball Cup	8	SW-2501100	320003	Diff. Bevel Gear 18T	6	SW-320003
	Lower Arm Insert (1mm)	4		320004	Diff. Bevel Gear 10T	12	SW-320004
	Lower Arm Insert (1mm)	12		330013	Bevel Gear Shaft	6	SW-330013
	Rear Wheel Axle Insert (1mm)	8		330014A	S35 Series Front/Rear Diff. Outdrive	4	SW-330014A
	Rear Wheel Axle Insert (2mm)	4		330015	Pin M2.2x9.9mm	6	SW-330015
2501113	Front Upper Arm (L)	1	SW-2501113	330017	Center Diff. Outdrive	2	SW-330017
	Front Upper Arm (R)	1		330086A	Front Lower Suspension Plate	1	SW-330086A
2501114	Gear Box (F)	2	SW-2501114	330091	Settring BellcrankPlate	1	SW-330091
	Gear Box (R)	2		330103	Front/Rear Lower Arm HingPin	4	SW-330103
	S-Way Bar Holder	2		330109	F/R Drive Shaft 93.5mm	4	SW-330109
	Brake Holder	2		330110	CVD Join	6	SW-330110
	Brake Cam Insert	2		330111	Pin M2.5x14.8mm	6	SW-330111
	Rear Shock Tower Insert	1		330112	CVD Axle	4	SW-330112
2501116	S-WORKz High Done Force Wing	1	SW-2501116	330113	Servo Saver Shaft	2	SW-330113
	Wing Holder	2		330114A	S350 Sseries Servo Saver Post (HC)	1	SW-330114A
2501121C	Rear Upper Arm Ball End (For Wheel Side)	2	SW-2501121C	330117A	S350 Series Knuckle Pivot Ball Washer (GM)	2	SW-330117A
	Rear Upper Arm Ball End	2		330118A	S350 Series Knuckle Pivot Ball Nut(GM)	4	SW-330118A
	Steering Ball End	2		330119	Front Upper Arm Hinge Pin	2	SW-330119
	Steering Ball End (For Wheel Side)	2		330121A	S350 Wheel Hub(HC)	4	SW-330121A
	Shock Cap Insert	4		330122A	S350 Wheel Nut (HC)	4	SW-330122A
	Shock Ball End	4		330123A	S350 EVO Rear Upper Sus. Arm Turnbuckles M5x38mm	2	SW-330123A
	Shock Spring Holder	4		330124	Pin M3.0x16.8mm	4	SW-330124
	Sway Bar Linkage	4		330125	Rear Upper Sus. Arm Ball Stud	4	SW-330125
	Steering Linkage Ball End	2		330134	Shock Ball Stud	12	SW-330134
	Throttle Linkage Ball End	1		330114A	Servo Saver Nut (GM)	1	SW-330114A
2501122B	Settring Bellcrank Upper (R)	1	SW-2501122B	330136	Sway Bar Ball Stud	4	SW-330136
	Settring Bellcrank (R)	1		330138	Shock Cap Stud	4	SW-330138
	Settring Bellcrank (L)	1		330160	S-System Pinion Gear 13T	2	SW-330160
	Rear Chassis Brace Mount	1		330164	Crown Gear 43T	2	SW-330164
	Steering Servo Horn (For Futaba)	1		330227	S350 BX1/BR1 Center Drive Join	2	SW-330227
	Steering Servo Horn (For S&K)	1		330241	BE1 Center Supar Gear Mount	1	SW-330241
	Steering Servo Horn (For Hitec)	1		330245	BE1 Motor Gear 15T	1	SW-330245
	Servo Mount	2		330251	S350 BX1/BR1 Steering Plate Bushing	2	SW-330251
	Throttle Servo Horn (For Futaba)	1		330252	S350 BX1/BR1 Steering Knuckle Pivot Ball Turnbuckle	4	SW-330252
	Throttle Servo Horn (For S&K)	1		330554	S350 New BBS System Shock Cap (GM)	4	SW-330554

Parts No. List

Part No.	Part Name	Q'ty in Use	Item No.	Part No.	Part Name	Q'ty in Use	Item No.
330557	S350 New BBS System Shock Seal Cap (GM)	4	SW-330557	104009	M3x16mm Set Screw	1	SW-104009
330560R	S35 BBS System Shock Spring Adjust Nut (RD)	4	SW-330560R	104010	M5x4mm Set Screw (Flat Bottom)	2	SW-104010
330562A	S350 New BBS System Shock Piston 1.3mmX6 Holes (BK)	4	SW-330562A	104011	M4x4mm Set Screw (Flat Bottom)	1	SW-104011
330633	S350 BBS System +5.6mm Shock Body L (HD)	2	SW-330633	104014	M5x25mm Set Screw	1	SW-104014
330634	S350 BBS System +5mm Shock Body S (HD)	2	SW-330634	105005	M3x12mm Cap Screw	2	SW-105005
330635	S350 New BBS System +5.5mm Shock Shaft (L)	2	SW-330635	105004	M2.6x6mm Cap Screw	4	SW-105004
330636	S350 New BBS System +1.3mm Shock Shaft (S)	2	SW-330636	105011	M3x23mm Cap Screw	2	SW-105011
330401	S350 Series Rear Hub Carriers Hing Pin with Nut	2	SW-330401	105012	M3x10mm Cap Screw	2	SW-105012
330694A	S35 E Series 6mm Steel Ball Stud	1	SW-330694A	105013A	M3x25mm Cap Screw	4	SW-105013A
330697	S35-2E Rear Drive Shaft (S)	1	SW-330697	106002	M3x10mm Hex Soket OH/TP Screw	24	SW-106002
330699B	S35-2E Center Main Drive Shaft (L)	1	SW-330699B	106003	M3x16mm Hex Soket OH/TP Screw	2	SW-106003
330777A	S35-4 Series Steering Linkage Ball Stud 7mm (L7)	4	SW-330777A	106005	M3x15mm Hex Soket OH/TP Screw	8	SW-106005
330813	S35-3E Steering Turnbuckle M4x30mm	1	SW-330813	106006	M3x20mm Hex Soket OH/TP Screw	4	SW-106006
330828	S350 Sport Buggy Series Aluminum Front Shock Tower	1	SW-330828	106007	M3x12mm Hex Soket OH/TP Screw(HT)	3	SW-106007
330829	S350 Series Sport Buggy Series Aluminum Rear Shock Tower	1	SW-330829	106008	M3x12mm Hex Soket OH/TP Screw	18	SW-106008
330830	S350 Sport Buggy Series Aluminum Rear Lower Arm Holder	1	SW-330830	106010	M3x6mm Hex Soket OH/TP Screw	11	SW-106010
330831	S350 Sport Buggy Series Aluminum Front Lower Arm Plate	1	SW-330831	106021A	S35 Series M4x10mm Hex Soket OH/TP Set Screw	4	SW-106021A
338038B	ZEUS 2.0/Apollo 2.0 Series Roll Bar Brace	1	SW-338038B	106024	M4x12mm Hex Soket OH/TP Screw	2	SW-106024
338070B	S35 Series Rear Upper Sus. Arm Ball Stud (7.0mm Hex)	2	SW-338070B	108001	M3x12mm FH/ST HEX Screw	6	SW-108001
338106	ZEUS/Apollo-E 2.0 Series Aluminum Center Diff Mount (CF)	1	SW-338106	108003	M3x10mm FH/ST HEX Screw	26	SW-108003
338107	ZEUS/Apollo-E 2.0 Series Aluminum Motor Mount	1	SW-338107	108005	M3x14mm FH/ST HEX Screw	2	SW-108005
338108	ZEUS/Apollo-E 2.0 Series T7075 Aluminum Main Chassis	1	SW-338108	108006	M3x8mm FH/ST HEX Screw	17	SW-108006
338109	ZEUS/Apollo 2.0 Series Aluminum Servo Saver Steering Plate	1	SW-338109	108007	M3x6mm FH/ST HEX Screw	17	SW-108007
338110	ZEUS/Apollo 2.0 Series Aluminum Steering Bellcrank Plate	1	SW-338110	108008	M3x35mm FH/ST HEX Screw	4	SW-108008
340035	ZEUS/Apollo 2.0 Series Carbon Fiber Steering Knuckle Plate (R&L)	2	SW-340035	108010	M4x10mm FH/ST HEX Screw	6	SW-108010
340038	Apollo 2.0 Series Carbon Fiber Center Diff Mount Plate	1	SW-340038	108012	M4x16mm FH/ST HEX Screw	8	SW-108012
340039	ZEUS/Apollo 2.0 Series Carbon Fiber Center Rear Brace Mount	1	SW-340029				
420010	Antenna Cup	1	SW-420010				
400006	Shock Seal O-Ring	8	SW-210058				
400013	S104 Shock Seal O-ring 2x2.7mm (Soft)	4	SW-400013				
400010	Shock Boot (S)	2	SW-400010				
400009	Shock Boot (L)	2	SW-400009				
400002	O-ring S5 4.8X1.5	6	SW-400002				
400019	S350 New BBS System Shock Spring Adjust Nut O-Ring	4	SW-400019				
400020	S350 New BBS System Shock Seal O-Ring	4	SW-400020				
400022A-S	S35 Series BBS System Pro Shock Bladder (Soft)	4	SW-40022A-S				
540001	Hook & Loop strap 2x27cm	4	SW-540001				
610002	Diff. Gasket (0.5T)	3	SW-610002				
115168	S35 Series Black Competition Rear Shock Spring (L2-Dot)(86X1.6X10.75)	2	SWC-115168				
115170	S35 Series Black Competition Front Shock Spring (S3-Dot)(70X1.6X8.5)	2	SWC-115170				
116012	Ball Bearing 15x21x4mm	4	SW-116012				
116004R	Ball Bearing 6x10x3mm (Red Rubber Case)(4PC)	4	SW-116004R				
116006R	Ball Bearing 8x16x5mm (Red Rubber Case)(10PC)	10	SW-116006R				
116010R	Ball Bearing 5x10x4mm (Red Rubber Case)	2	SW-116010R				
115019	Body Clip	2	SW-115019				
115005	Rear Sway Ball 2.8mm	1	SW-115005				
115008A	Front Sway Ball 2.3mm	1	SW-115008A				
101004	Washer 3.5X10X0.2mm	12	SW-101004				
101010A	M3 Countersunk Washer (GM)	4	SW-101010A				
101012	M3x6xT0.6mm	4	SW-101012				
101018	SHIM 13x16x0.2mm	6	SW-101018				
101019	SHIM 6.0x10.0x0.2mm	1	SW-101019				
101020A	S350 Sries 3mm Countersunk Washers (GM)	2	SW-101020A				
101021	M3x8xT0.8mm	4	SW-101021				
101026	SWORKz Aluminum Washer 3X6X1.5mm	1	SW-101026				
103001	M3 Nut Lock	11	SW-103001				
103003A	Flange M3 Nut Lock (GM)	4	SW-103003A				
103004	M2.5mm Nut Lock	4	SW-103004				
104004	M3x3mm Set Screw	4	SW-104004				
104005	M3x4mm Set Screw	4	SW-104005				

Spare Part List

Item No.	Part Name	Item No.	Part Name
SW-228004A	S35-4 Series Plastic Side Guard Set with Stopper	SW-330636	S350 New BBS System +1.3mm Shock Shaft (S)
SW-210002B	S35/S350 Series Big Bore Diff Case	SW-330401	S350 Series Rear Hub Carriers Hinge Pin with Nut
SW-2501093B	S350 EVO I/II BBS Front Lower Arm Set	SW-330694A	S35 E Series 6mm Steel Ball Stud
SW-2501094C	S350 Series S35 Competition Rear Lower Arm Set	SW-330697	S35-2E Rear Drive Shaft (S)
SW-2501095A	S350 Rear Hub Carrier Set (Also for LDS) (L&R)	SW-330699B	S35-2E Center Main Drive Shaft (L)
SW-2501097	S350 Wing Stay Set with Bumper	SW-330777A	S35-4 Series Steering Linkage Ball Stud 7mm(L7)
SW-2501098A	S350 Front Steering Knuckle Set (Also for LDS) (L&R)	SW-3308132	S35-3E Steering Turnbuckle M4x30mm
SW-2501099	S350 R/F Insert, Brake, Throttle Linkage Linkage Holder	SW-330828	S350 Sport Buggy Series Aluminum Front Shock Tower
SW-2501100	S350 Pivot Ball Cup, Caster Insert Set	SW-330829	S350 Series Sport Buggy Series Aluminum Rear Shock Tower
SW-2501113	S350 Front Upper Arm Set (L&R)	SW-330830	S350 Sport Buggy Series Aluminum Rear Lower Arm Holder
SW-2501114	S350 Gear Box Set (F&R)	SW-330831	S350 Sport Buggy Series Aluminum Front Lower Arm Plate
SW-2501116	SWORKz High Done Force Wing Set (BK)(Fit S350)	SW-338038B	ZEUS 2.0/Apollo 2.0 Series Roll Bar Brace
SW-2501121C	S350/S350T Ball End Set with Shock Plastic Parts	SW-338070B	S35 Series Rear Upper Sus. Arm Ball Stud (7.0mm Hex)
SW-2501122B	S35/S350 Series Settring Bellcrank Set 2.0 Set (with Servo Horn)	SW-3380106	ZEUS/Apollo-E 2.0 Series Aluminum Center Diff Mount (CF)
SW-2502036	S350 Series Rear Changable Plastic Lower Arm Plate with insert	SW-3380107	ZEUS/Apollo-E 2.0 Series Aluminum Motor Mount
SW-2501469	S350 BE1Series Spur Gear Set (45T/46T/47T)	SW-338108	ZEUS/Apollo-E 2.0 Series T7075 Aluminum Main Chassis
SW-2501667	BK1 EVO Settring Bellcrank Upper (R)	SW-338109	ZEUS/Apollo 2.0 Series Aluminum Servo Saver Steering Plate
SW-2503221BK	S35-2E/3E Series Black Plastic Radio Box/Battery Case Set	SW-338110	ZEUS/Apollo 2.0 Series Aluminum Steering Bellcrank Plate
SW-228006-5	SWORKz 1/8 Series Plastic Linkage Ball End (Shorty)(2PC)	SW-340035	ZEUS/Apollo 2.0 Series Carbon Fiber Steering Knuckle Plate (R&L)
SW-228007	S35-4E Buggy Series Steering Servo Mount/Center Diff Mount Plastic Parts	SW-340038	Apollo 2.0 Series Carbon Fiber Center Diff Mount Plate
SW-210058	S350 series BBS Shock Seal Kit	SW-340029	ZEUS/Apollo 2.0 Series Carbon Fiber Center Rear Brace Mount
SW-200193	Antenna Tube	SW-420010	Antenna Cup
SW-250041RE-RD	S350 Falcon II Pre-painted and Pre-Cut Body Shell (For EP Buggy)(RD)	SW-400013	S104 Shock Seal O-ring 2x2.7mm (Soft)
SW-320003	Diff. Bevel Gear Set	SW-400010	Shock Boot (S)
SW-330013	Bevel Gear Shaft	SW-400009	Shock Boot (L)
SW-330014A	S35 Series Front/Rear Diff. Outdrive	SW-400002	O-ring S5 4.8X1.5
SW-330015	Pin M2.2x9.9mm	SW-400019	S350 New BBS System Shock Spring Adjust Nut O-Ring
SW-330017	Center Diff. Outdrive	SW-400020	S350 New BBS System Shock Seal O-Ring
SW-330103	Front/Rear Lower Arm Hinge Pin	SW-40022A-5	S35 Series BBS System Pro Shock Bladder (Soft)
SW-330109	F/R Drive Shaft 93.5mm	SW-540001	Hook & Loop strap 2x27cm
SW-330110	CVD Join	SW-610002	Diff. Gasket (0.5T)
SW-330111	Pin M2.5x14.8mm	SWC-115168	S35 Series Black Competition Rear Shock Spring (L2-Dot)(86X1.6X10.75)
SW-330112	CVD Axle	SWC-115170	S35 Series Black Competition Front Shock Spring (S3-Dot)(70X1.6X8.5)
SW-330113	Servo Saver Shaft	SW-116012	Ball Bearing 15x21x4mm
SW-330114A	S350 Sseries Servo Saver Post (HC)	SW-116004R	Ball Bearing 6x10x3mm (Red Rubber Case)(4PC)
SW-330117A	S350 Series Knuckle Pivot Ball Washer (GM)	SW-116006R	Ball Bearing 8x16x5mm (Red Rubber Case)(10PC)
SW-330118A	S350 Series Knuckle Pivot Ball Nut (GM)	SW-116010R	Ball Bearing 5x10x4mm (Red Rubber Case)
SW-330119	Front Upper Arm Hinge Pin	SW-115019	Body Clip
SW-330121A	S350 Wheel Hub (HC)	SW-115005	Rear Sway Ball 2.8mm
SW-330122A	S350 Wheel Nut (HC)	SW-115008A	Front Sway Ball 2.3mm
SW-330123A	S350 EVO Rear Upper Sus. Arm Turnbuckles M5x38mm	SW-101004	Washer 3.5X10X0.2mm
SW-330124	Pin M3.0x16.8mm	SW-101010A	M3 Countersunk Washer (GM)
SW-330125	Rear Upper Sus. Arm Ball Stud	SW-101012	M3x6xT0.6mm
SW-330134	Shock Ball Stud	SW-101018	SHIM 13x16x0.2mm
SW-330136	Sway Bar Ball Stud	SW-101019	SHIM 6.0x10.0x0.2mm
SW-330138	Shock Cap Stud	SW-101020A	S350 Sries 3mm Countersunk Washers (GM)
SW-330160	S-System Pinion Gear 13T	SW-101021	M3x8xT0.8mm
SW-330164	Crown Gear 43T	SW-101026	SWORKz Aluminum Washer 3X6X1.5mm
SW-330227	S350 BX1/BR1 Center Drive Join	SW-103001	M3 Nut Lock
SW-330241	BE1 Center Supar Gear Mount	SW-103003A	Flange M3 Nut Lock (GM)
SW-330245	BE1 Motor Gear 15T	SW-103004	M2.5mm Nut Lock
SW-330251	S350 BX1/BR1 Steering Plate Bushing	SW-104004	M3x3mm Set Screw
SW-330252	S350 BX1/BR1 Steering Knuckle Pivot Ball Turnbuckle	SW-104005	M3x4mm Set Screw
SW-330554	S350 New BBS System Shock Cap (GM)	SW-104009	M3x16mm Set Screw
SW-330557	S350 New BBS System Shock Seal Cap (GM)	SW-104010	M5x4mm Set Screw (Flat Bottom)
SW-330560R	S35 BBS System Shock Spring Adjust Nut (RD)	SW-104011	M4x4mm Set Screw (Flat Bottom)
SW-330562A	S350 New BBS System Shock Piston 1.3mmX6 Holes (BK)	SW-104014	M5x25mm Set Screw
SW-330633	S350 BBS System +5.6mm Shock Body L (HD)	SW-105005	M3x12mm Cap Screw
SW-330634	S350 BBS System +5mm Shock Body S (HD)	SW-105004	M2.6x6mm Cap Screw
SW-330635	S350 New BBS System +5.5mm Shock Shaft (L)	SW-105011	M3x23mm Cap Screw

Spare Part List

Item No.	Part Name
SW-105012	M3x10mm Cap Screw
SW-105013A	M3x25mm Cap Screw
SW-106002	M3x10mm Hex Soket OH/TP Screw
SW-106003	M3x16mm Hex Soket OH/TP Screw
SW-106005	M3x15mm Hex Soket OH/TP Screw
SW-106006	M3x20mm Hex Soket OH/TP Screw
SW-106007	M3x12mm Hex Soket OH/TP Screw (HT)
SW-106008	M3x12mm Hex Soket OH/TP Screw
SW-106010	M3x6mm Hex Soket OH/TP Screw
SW-106021A	S35 Series M4x10mm Hex Soket OH/TP Set Screw
SW-106024	M4x12mm Hex Soket OH/TP Screw
SW-108001	M3x12mm FH/ST HEX Screw
SW-108003	M3x10mm FH/ST HEX Screw
SW-108005	M3x14mm FH/ST HEX Screw
SW-108006	M3x8mm FH/ST HEX Screw
SW-108007	M3x6mm FH/ST HEX Screw
SW-108008	M3x35mm FH/ST HEX Screw
SW-108010	M4x10mm FH/ST HEX Screw
SW-108012	M4x16mm FH/ST HEX Screw
SW-106001	M3x8mm Hex Soket OH/TP Screw
SW-106002	M3x10mm Hex Soket OH/TP Screw
SW-106003	M3x16mm Hex Soket OH/TP Screw
SW-106005	M3x15mm Hex Soket OH/TP Screw
SW-106006	M3x20mm Hex Soket OH/TP Screw
SW-106007	M3x12mm Hex Soket OH/TP Screw (HT)
SW-106008	M3x12mm Hex Soket OH/TP Screw
SW-106009	M3x25mm Hex Soket OH/TP Screw
SW-106010	M3x6mm Hex Soket OH/TP Screw
SW-106021A	S35 Series M4x10mm Hex Soket OH/TP Set Screw (8pc)
SW-108001	M3x12mm FH/ST HEX Screw
SW-108003	M3x10mm FH/ST HEX Screw
SW-108006	M3x8mm FH/ST HEX Screw
SW-108007	M3x6mm FH/ST HEX Screw
SW-108008	M3x35mm FH/ST HEX Screw
SW-108010	M4x10mm FH/ST HEX Screw
SW-108011	M4x12mm FH/ST HEX Screw
SW-108012	M4x16mm FH/ST HEX Screw
SW-115005	Rear Sway Ball 2.8mm
SW-115008A	Front Sway Ball 2.3mm
SW-115011A	S35-GT Series Pipe Spring (+10mm Longer)
SW-115019	Body Clip
SW-115048A	1/8 Nitro Buggy Sport Clutch Spring (1.0mm)(3PC)
SWC-115168	S35 Series Black Competition Rear Shock Spring (L2-Dot)(86X1.6X10.75)
SWC-115170	S35 Series Black Competition Front Shock Spring (S3-Dot)(70X1.6X8.5)
SW-116004R	Ball Bearing 6x10x3mm (Red Rubber Case)(4PC)
SW-116006R	Ball Bearing 8x16x5mm (Red Rubber Case)(10PC)
SW-116010R	Ball Bearing 5x10x4mm (Red Rubber Case)(4PC)
SW-116012	Ball Bearing 15x21x4mm
SW-800003	Switch
SW-840023	SWORKz SES-2S 12kg Metal Gear Servo (F Connect) (Made by Savox)
SW-840026	SWORKz SW-T2/R2 2.4G 3 channels Radio Set
SP-80111	Spower Sport RTR .21 In-Line U Manifold
SP-80112	Spower Sport RTR .21 In-Line Pipe

Option Part List

Item No.	Part Name	Item No.	Part Name
SW-228008BK	SWORKz 1/8 Off Road Formula 2.0 Race Wing (BK)	SW-338078-25	SWORKz Uni-Design 2-Way System Aluminum Steering Servo Horn 25T
SW-228008WH	SWORKz 1/8 Off Road Formula 2.0 Race Wing (WH)	SW-338078-23	SWORKz Uni-Design 2-Way System Aluminum Steering Servo Horn 23T
SW-228013BK	SWORKz 1/8 Off Road Pro-Speed 2.0 Race Wing (BK)(Pre-Holes)	SW-360001	S35 Series Front Arm Holder Balance Weight Set (25g/35g)
SW-228013WH	SWORKz 1/8 Off Road Pro-Speed 2.0 Race Wing (WH)(Pre-Holes)	SW-360003	S35E/ZEUS/APOLLO Series Brass Reinforcement for Center Chassis (20g)
SW-228013FY	SWORKz 1/8 Off Road Pro-Speed 2.0 Race Wing (FY)(Pre-Holes)	SW-400022A-M	S35 Series BBS System Pro Shock Bladder (Medium)(8PC)
SW-2501116A	S-WORKz High Done Force Wing Set (BK)	SW-400024S	S35 Series BBS System Hex-Cell Shock Bladder (Soft)(4PC)
SW-2501116AWH	S-WORKz High Done Force Wing Set (WH)	SW-400024M	S35 Series BBS System Hex-Cell Shock Bladder (Medium)(4PC)
SW-250048	S35 Series Falcon Style 3 Clean Body Shell	SW-510053-PBK	SWORKz Speed Logo Sticker (PushBar)(BK)(2pc)
SW-258001C-E	S35 Series Falcon ST-4 Clean Body Shell (Pre-Cut for E Buggy)	SW-510053-PFO	SWORKz Speed Logo Sticker (PushBar)(FO)(2pc)
SW-330115	Steering Knuckle Pivot Ball Turnbuckle	SW-510053-PFY	SWORKz Speed Logo Sticker (PushBar)(FY)(2pc)
SW-330116	14mm Knuckle Pivot Ball	SW-510053-PHA	SWORKz Speed Logo Sticker (PushBar)(Hara Edition)(2pc)
SW-330125A	S350 Series Aluminum Rear Upper Sus. Arm Ball Stud (4pc)	SW-510053-PWH	SWORKz Speed Logo Sticker (PushBar)(WH)(2pc)
SW-330134A	S350 Series Aluminum Shock Ball Stud (4pc)	SWC-115107	S350 Competition Shock Spring A-2 (75X1.4X7.25)(Red)
SW-330136A	S350 Series Aluminum Sway Bar Ball Stud (4pc)	SWC-115109	S350 Competition Shock Spring B-2 (90X1.4X8.5)(Pink)
SW-330210A	S350 Aluminum Front Upper Arm Holder (GM Color)	SWC-115110	S350 Competition Shock Spring C-1 (75X1.5X7.75)(SkyBlue)
SW-330215A	S35/350 Sries Aluminum Front Changeable Lower Arm Holder (BK)	SWC-115118	S350 Competition Shock Spring E-3 (90X1.5X8.5)(Blue)
SW-330243	SWORKz 3x18mm Shock Hex Screw Set (Anti-Clockwise)	SWC-116006C	SWORKz Competition 8x16x5mm Ball Bearing (Metal Case)(6PC)
SW-330398A	SWORKz S350 Series Pro Wheel Nut (GM)	SW-116010B	High Performance Ball Bearing 5x10x4mm(coffee)(4pc)
SW-330420	S350 Series Knuckle Pivot Ball Balance Nut (5.5g) (2pc)	SWC-116016B	SWORKz Competition 5x11x4mm Ball Bearing (Metal Case)(4PC)
SW-330421	S350 Series Front Wheel Hub Balance Weight (10g)(L)	SWC-330486	S350 Series Competition LDS 13T straight pinion gear
SW-330422	S350 Series Front Wheel Hub Balance Weight (10g)(R)	SWC-330487	S350 Series Competition LDS 43T straight crown gear
SW-330424	S350 Series Aluminum Wing Holder (RED)	SW-210046	S350 Series LDS Universal Cross Drive Shaft Set 92.5mm (1pc)
SW-330424B	S350 Series Aluminum Wing Holder (BK)	SW-250050A	SWORKz 1/8 Off Road Formula Bulkhead Lexan Wing (0.8mm)(4PC)
SW-330424G	S350 Series Aluminum Wing Holder (GM)	SW-210002H	S35/S350 Series Big Bore Diff Case (Hard)(Gray)
SW-330450	S350 Series Aluminum Rear Hub Carry (GM Color)	SWC-218007A	S35 Series Evolution-CVA Drive Shaft Set 92.5mm (1 Sets)
SW-330474	S350 Series Rear Wheel Hub Balance Weight Lower (8g) (2pc)	SWC-218007D	S35 Series Advance-CVD Drive Shaft Set 92.5mm(1 Sets)
SW-330475	S350 Series Rear Wheel Hub Balance Weight Lower (5g)(2pc)	SW-218001	S35/350 Series Font Sway Bar Set (2.0/2.1/2.2/2.3/2.4/.2.5/2.6/2.8mm)
SW-330505A	S35 Series Lightened Wheel Hub for 8mm Axil (L6.5mm)	SW-218002	S35/350 Series Rear Sway Bar Set (2.4/2.5/2.6/2.7/2.8/3.0mm)
SW-330506A	S35 Series Lightened Wheel Hub for 8mm Axil (L5.0mm)	SW-330500A	S35/S350 Series Front Sway Bar 2.0mm
SW-330564A	S35 Series BBS System Shock Piston 1.5mmX6 Holes (BK)	SW-115034A	S35/350 Series Front Sway Bar 2.1mm
SW-330568	S350 Buggy Series Aluminum Center Diff. Mount	SW-115035A	S35/350 Series Front Sway Bar 2.2mm
SW-330661A	S35-T/S35 Series Competition Center Drive Join (5mm set screw)	SW-115008A	S35/350 Series Front Sway Bar 2.3mm
SW-330696	S35E Series Aluminum Rear Drive Shaft (S)	SW-115150A	S35/350 Series Front Sway Bar 2.4mm
SW-330698	S35E Series Aluminum Center Main Drive Shaft (L)	SW-115151A	S35/350 Series Front Sway Bar 2.5mm
SW-330777B	S35-4 Series Aluminum Steering Linkage Ball Stud 7mm(L7)(4PC)	SW-115009A	S35/350 Series Front Sway Bar 2.6mm
SW-330235	SWORKz 1/8 Motor Pinion Gear 13T	SW-115010A	S35/350 Series Front Sway Barr 2.8mm
SW-330239	SWORKz 1/8 Motor Pinion Gear 14T	SW-115046	S35/S350 Series Rear Sway Bar 2.4mm
SW-330246	SWORKz 1/8 Motor Pinion Gear 16T	SW-115047	S35/S350 Series Rear Sway Bar 2.5mm
SW-330247	SWORKz 1/8 Motor Pinion Gear 17T	SW-115006	S35/S350 Series Rear Sway Bar 2.6mm
SW-330817	SWORKz 1/8 EP Motor Pinion Gear 18T	SW-330499	S35/S350 Series Rear Sway Bar 2.7mm
SW-330818	SWORKz 1/8 EP Motor Pinion Gear 19T	SW-115005	S35/S350 Series Rear Sway Bar 2.8mm
SW-330819	SWORKz 1/8 EPMotor Pinion Gear 20T	SW-115007	S35/S350 Series Rear Sway Bar 3.0mm
SW-338069	S35-4 E-Buggy Series Brass Material Center Chassis Brace (50g)	SWC-115163	S35 Series Black Competition Front Shock Spring (M4-Dot)(75X1.6X8.75)

Option Part List

Item No.	Part Name
SWC-115164	S35 Series Black Competition Front Shock Spring (M3-Dot)(75X1.6X9.0)
SWC-115165	S35 Series Black Competition Front Shock Spring (M2-Dot)(75X1.6X9.25)
SWC-115164	S35 Series Black Competition Front Shock Spring (M3-Dot)(75X1.6X9.0)
SWC-115190	S35 Series Competition Black Line Rear Shock Spring (RM4-Dot)(80X1.6X9.75)
SWC-115191	S35 Series Competition Black Line Rear Shock Spring (RM3-Dot)(80X1.6X10.0)
SWC-115192	S35 Series Competition Black Line Rear Shock Spring (RM2-Dot)(80X1.6X10.25)
SW-360004	S35 Series Rear Lower Arm Holder Balance Weight (25g)
SW-360005	S35 Series Front Lower Arm Plate Balance Weight (25g)
SWC-338102	S35 Series Pro-Titanium Pivot Ball Turnbuckle (2PC)
SWC-338103	SWORKz 1/8 Series Pro-Titanium Linkage Turnbuckle (M5x35mm)(2PC)
SWC-338104	SWORKz 1/8 Series Pro-Titanium Linkage Turnbuckle (M4x40mm)(2PC)
SWC-338105	SWORKz Pro-Titanium Linkage Turnbuckle (M3x30mm)(2PC)

Item No.	Part Name
----------	-----------

APOLLO

1/8 Off Road Pro RTR Buggy



SPEEDMASTER HOBBY CO., LTD.

TEL: +886-3-538-7638

FAX: +886-3-538-7328

No.42, Ruiguang St., Xiangshan Dist.,
Hsinchu City 300, Taiwan (R.O.C.)

www.sworkz.com