

# APOLLO

1/8 Off Road Pro RTR



SWORCKZ APOLLO II NITRO POWER PRO RTR INSTRUCTION MANUAL



## INSTRUCTION

Introducing the new APOLLO II Pro Nitro RTR 1/8th scale off-road professional ready to run buggy from SWORKz. The 1/8th APOLLO II Nitro buggy is a Pro RTR based on the pro S350 but with an updated S35-3 buggy center layout.

The APOLLO II Nitro buggy incorporates many of the race-inspired features from the S35-3 Pro Kit. This buggy provides precise feedback, a nimble and balance feel that will suit drivers of all levels. The SWORKz design team put their efforts into proper weight distribution for the APOLLO II Nitro buggy. Proper weight distribution proved to be instrumental to the setup during the testing phase of the APOLLO II Nitro buggy.

The SWORKz APOLLO II Pro Nitro RTR buggy comes standard with many high quality parts like a T7075 aluminum chassis (with the same S35-4 chassis hard coating process), front and rear shock towers. It also has S35-3 Pro Kit's 16mm BBS Racing Shocks System, High Performance Crown and Pinion Gears and oil filled differentials providing traction and balance on multiple off-road surfaces.

The S35-3's centre plastic BBD diff system provides better acceleration for the APOLLO II Nitro buggy. It uses the S35-3 radio tray system that gives precise throttle and braking response.

The pivot ball steering system gives the driver sharp and accurate turning feedbacks. The APOLLO II Nitro buggy comes with a race inspired base set up that is easy to drive.

The SWORKz SES-2S steering and throttle servos (with 12kg metal gears) are made by SAVOX. This RTR also includes a 2.4G Radio System.

A pre-cut painted body shell is also included.

### **APOLLO II NITRO RTR Features:**

1. Quality T7075 Aluminum Main Chassis.
2. Professional T7075 Front and Rear Shock Towers.
3. SWORKz S35-3 BBS Race Shock System.
4. High Performance CNC Machined Crown Gears and Pinion Gears.
5. F/R Full CVA Drive Shafts.
6. Aluminum Adjustable Front and Rear Lower Plastic Insert Toe-In System.
7. Double Protection Bumper Design.
8. Sealed Front and Rear Arms Design.
9. Adjustable Front Upper and Lower Suspension Arm System.
10. S35-3 Radio Tray System.
11. S350 Falcon II Pre-painted and Pre-Cut Body Shell is included.
12. Alpha 5 Posts Pull Starter Engine System.
13. 2.4G Radio System (SW-T2 Radio fit for AA battery).
14. SWORKz SES-2S Steering Servo (with 12kg metal gear) Made by The World Famous Brand SAVOX.



<b>Specification</b>	
<b>Length:</b>	<b>530mm</b>
<b>Width:</b>	<b>308mm</b>
<b>Height:</b>	<b>220mm</b>
<b>Ground Clearance:</b>	<b>65mm</b>
<b>Wheelbase:</b>	<b>325-330mm</b>
<b>Track:</b>	<b>F:306mm / R:306mm</b>
<b>Gear Ratio:</b>	<b>C:46/13T, F/R 43/13T</b>
<b>Weight:</b>	<b>3400g</b>

## **WARRANTY**

Your SWORKz APOLLO II Nitro Pro RTR kit warranty covers workmanship and manufacturing defects of the original and unmodified parts. Warranty claims resulting from crashes, abuse, improper operation, improper mounting, improper adjustment or lack of maintenance will not be honored.

Contact your local hobby shop or SWORKz distributor for all claims and questions. Claims must be well documented. All Claims are subject to expert examination approval by SWORKz.



<b>INTRODUCTION</b>	<b>2</b>
<b>Warranty</b>	<b>3</b>
<b>INDEX</b>	<b>4</b>
<b>Required Equipment for Operation</b>	<b>5</b>
<b>Operation Guide</b>	<b>6</b>
<b>Assembly Steps</b>	<b>7-38</b>
<b>APOLLO II NITRO Key No. List</b>	<b>39-40</b>
<b>APOLLO II NITRO Spare Part List</b>	<b>41-42</b>
<b>APOLLO II NITRO Option Part List</b>	<b>42-43</b>
<b>End cover</b>	<b>44</b>

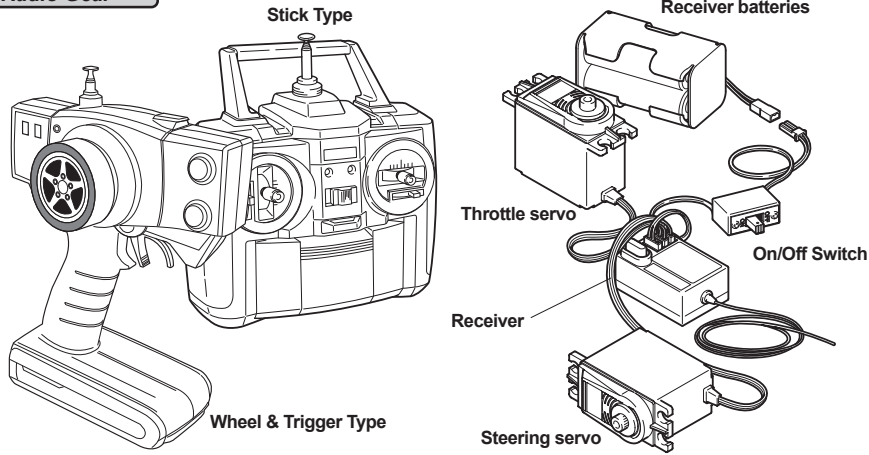


**This radio controlled racing car is not a toy!**

**This high-performance R/C model is recommended for ages 14 and older.**

# Required Equipment for Operation

## Radio Gear

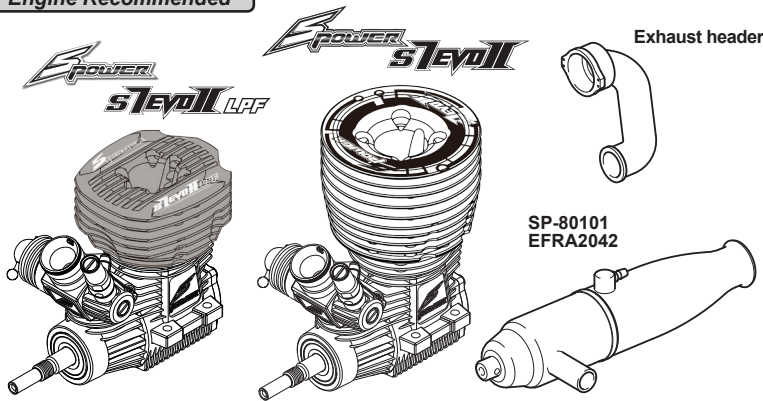


## Nitro fuel

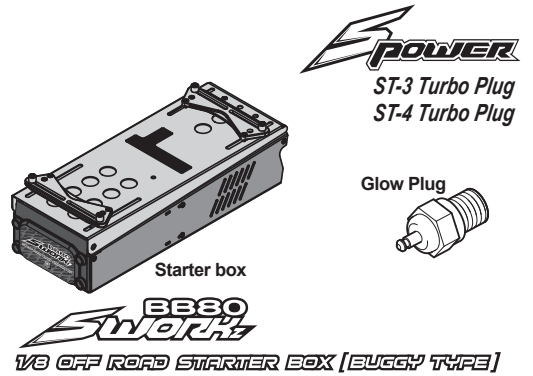
We recommend that you use fuel containing 20~25% nitro.



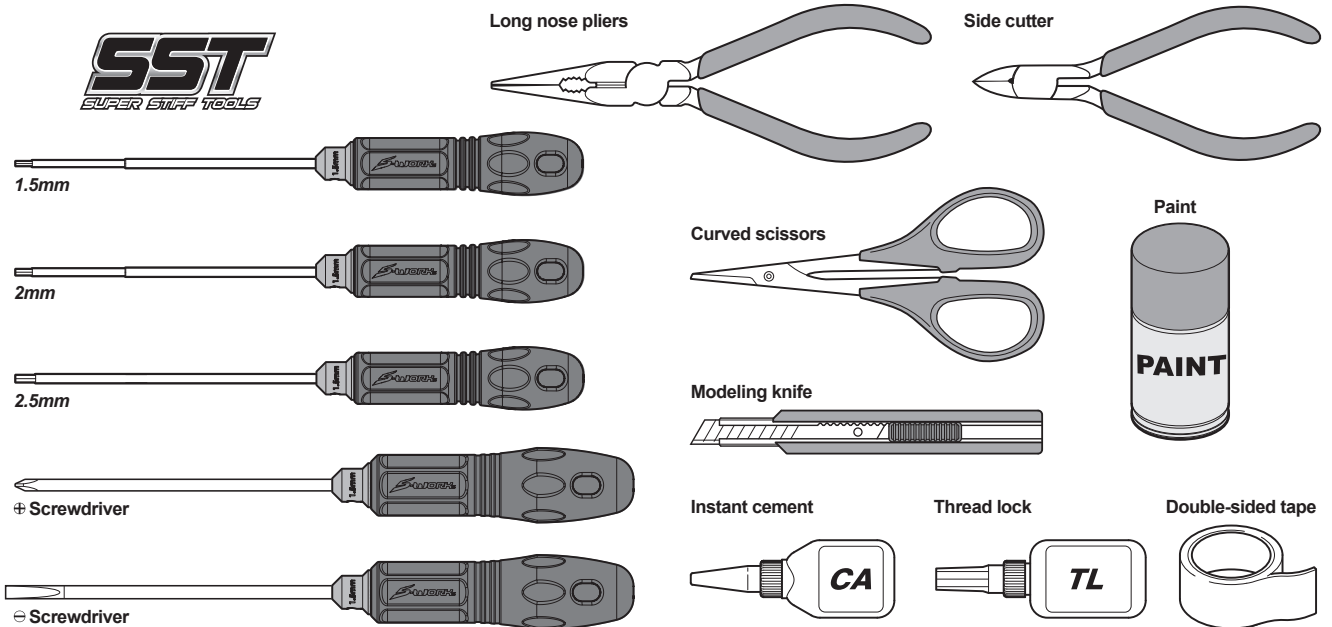
## Engine Recommended



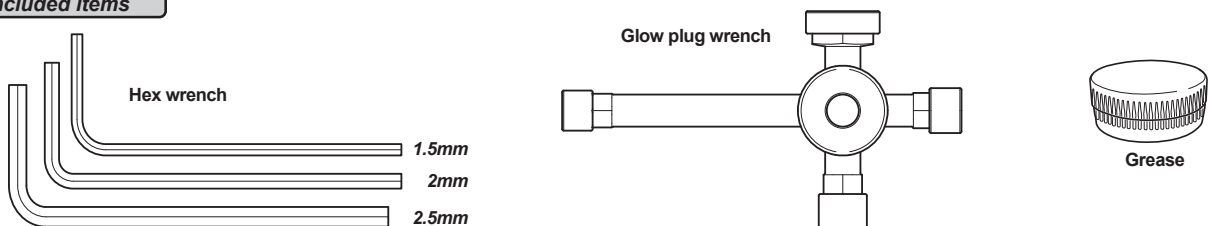
## Engine Starting Equipment



## Tools Recommended



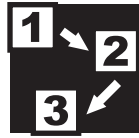
## Included items



## Operation Guide



Assemble front and rear



Assemble in the specified order



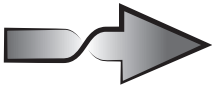
Assemble both left and right sides



Assemble for 2 sets



Assemble for 4 sets



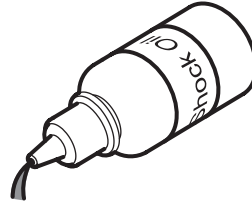
overturn



Thread Locking Compound



Grease



Pure Silicone Oil



Air filter oil

## Safety Precautions

The SWORKz APOLLO II Nitro Pro RTR is a high performance radio control model which needs to be operated with caution and common sense.

The SWORKz APOLLO II Nitro Pro RTR is not intended for children under the age of 14 without adult supervision. SWORKz shall not be held liable for any loss or damages, whether direct, indirect, act of nature, arising from the abuse or misuse of this product or any other product required while operating this model.

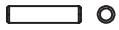
- The nitro fuel can be dangerous if improperly handled.
- Always keep your nitro fuel in a cool area and never use near flame, sparks, or while smoking.
- Keep your nitro fuel, and all other flammables, out of the reach of children.
- Always run your model in a well ventilated area outdoors. Never run your model indoors.
- After running your car, all parts of the engine and exhaust can become extremely hot. Be careful not to touch these parts especially when refueling, or making repairs.
- This model is controlled by your radio controller and is sometimes vulnerable to interference from many outside sources. This interference can cause a loss of control so it is necessary to operate this model in an open area to avoid personal, or property damage. Always ensure turning on your radio first.
- Keep all the parts included in the package out of reach of children.
- This model contains many fast rotating parts. Never touch them during operation.
- Follow the instructions included with your radio gear.
- Never operate your model near people or property. The speed of this model has the potential to injure and or damage people and or property.
- Always use original SWORKz spare parts and option parts.
- Always ensure that the buggy is in proper working condition before use.

# BAG B

## 1

**F**  
**R**

**x2**



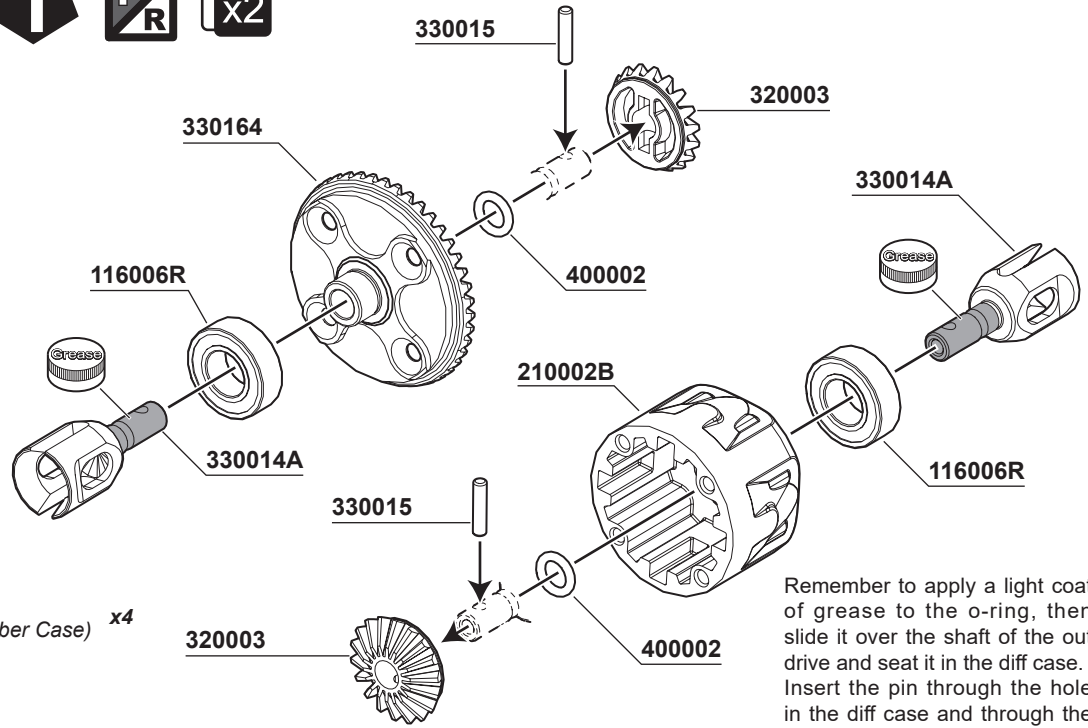
**330015**  
Pin M2.2x9.9mm **x4**



**400002**  
O-ring S5 4.8X1.5 **x4**



**116006R**  
Ball Bearing 8x16x5mm (Red Rubber Case) **x4**



Remember to apply a light coat of grease to the o-ring, then slide it over the shaft of the out drive and seat it in the diff case. Insert the pin through the hole in the diff case and through the hole in the shaft of the out drive.

## 2

**F**  
**R**

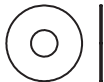
**x2**



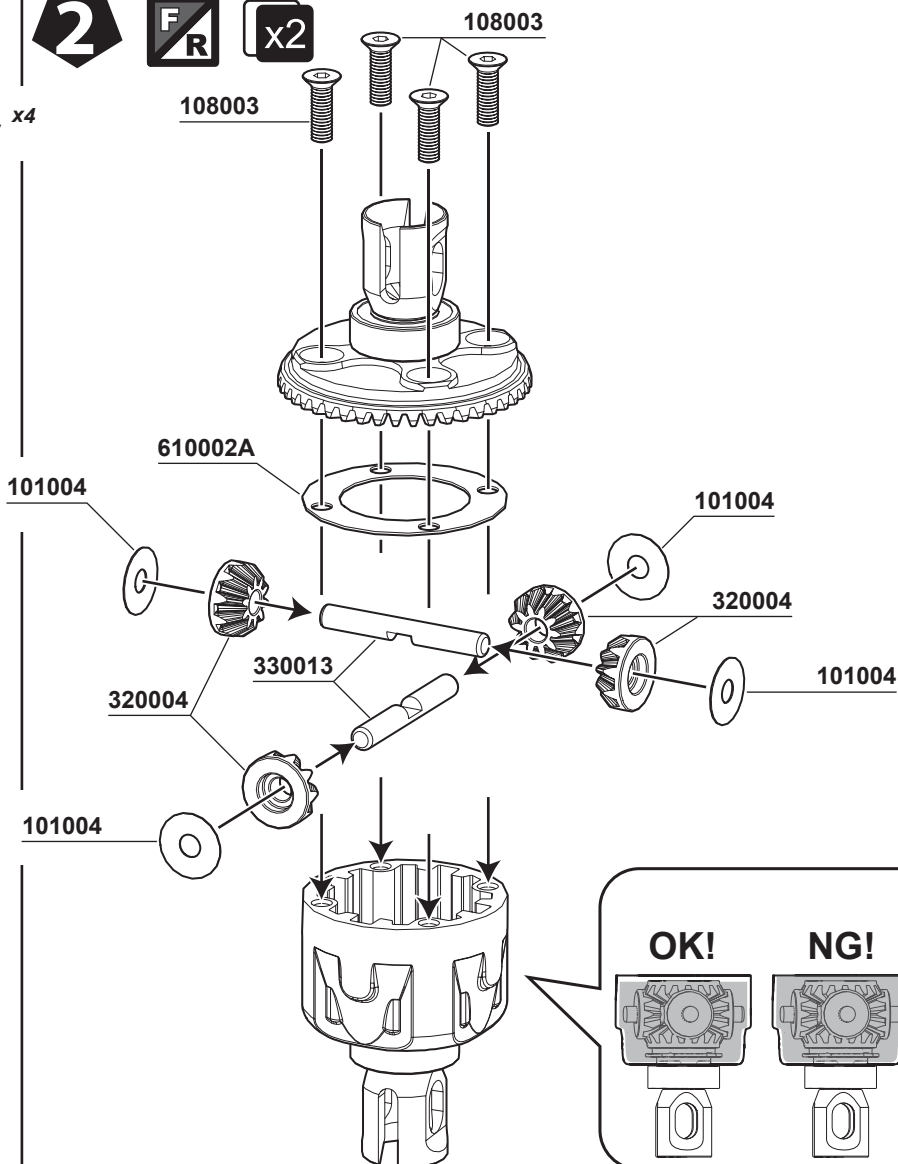
**108003**  
M3x10mm FH/ST HEX Screw **x4**



**330013**  
Bevel Gear Shaft **x4**



**101004**  
Washer 3.5X10X0.2mm **x8**



**OK!**

**NG!**

Fill the differentials with oil up to 80% above the satellite gears. Put the SWORKz Diff. Oil 4000cps for the front Diff. and 1500cps for the rear Diff.

# BAG C

## 3



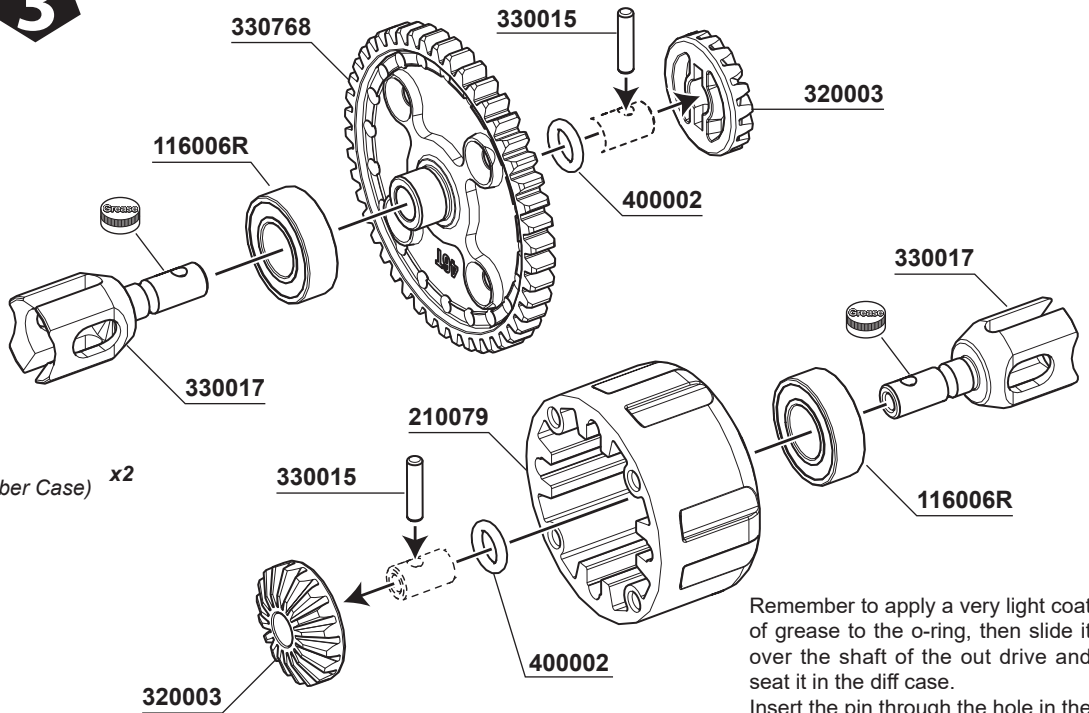
**330015**  
Pin M2.2x9.9mm x2



**400002**  
O-ring S5 4.8X1.5 x2



**116006R**  
Ball Bearing 8x16x5mm (Red Rubber Case) x2

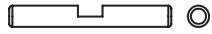


Remember to apply a very light coat of grease to the o-ring, then slide it over the shaft of the out drive and seat it in the diff case. Insert the pin through the hole in the diff case and through the hole in the shaft of the out drive.

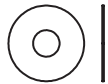
## 4



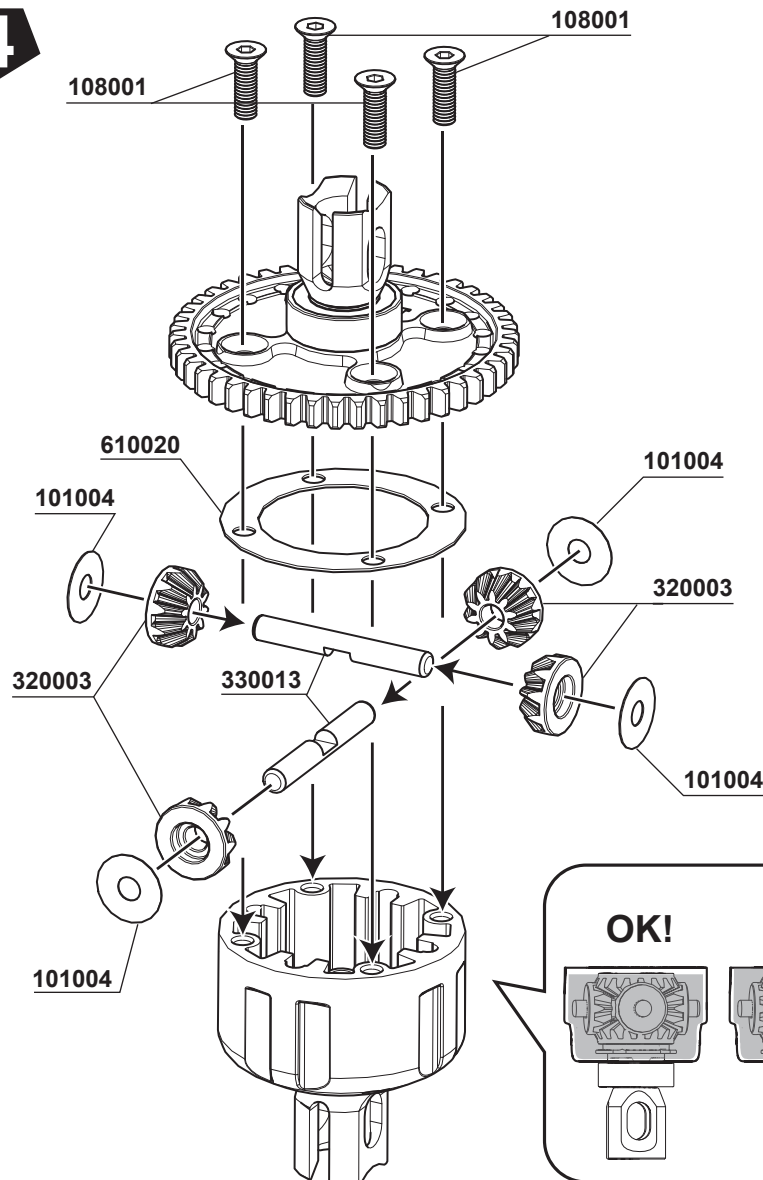
**108001**  
M3x12mm FH/ST HEX Screw x4



**330013**  
Bevel Gear Shaft x2

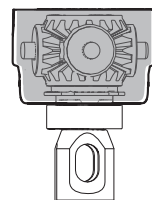
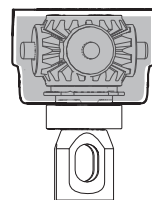


**101004**  
Washer 3.5X10X0.2mm x4



**OK!**

**NG!**



Fill the differentials with oil up to 80% above the satellite gears. Put the SWORKz Diff. Oil 6000cps for the center Diff.





**104010**  
M5x4mm Set Screw (Flat Bottom) x1



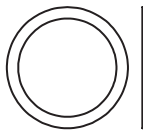
**106010**  
M3x6mm Hex Socket OH/TP Screw x3



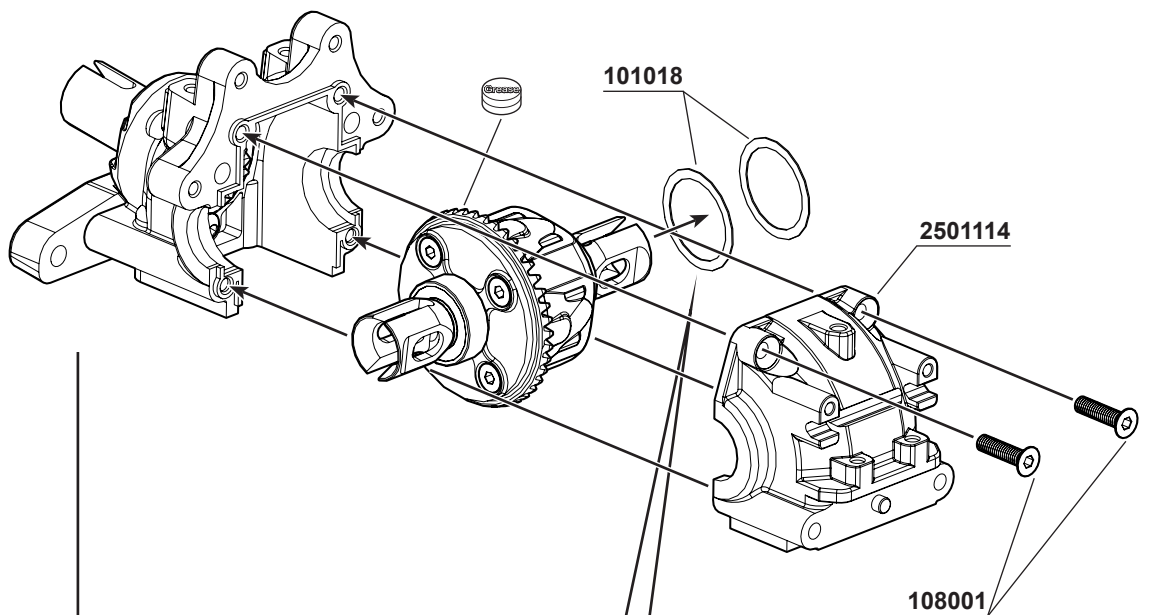
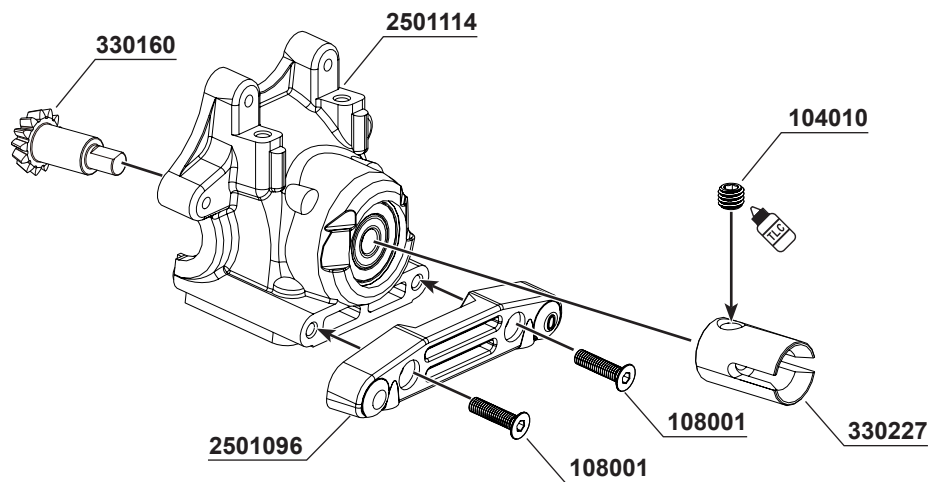
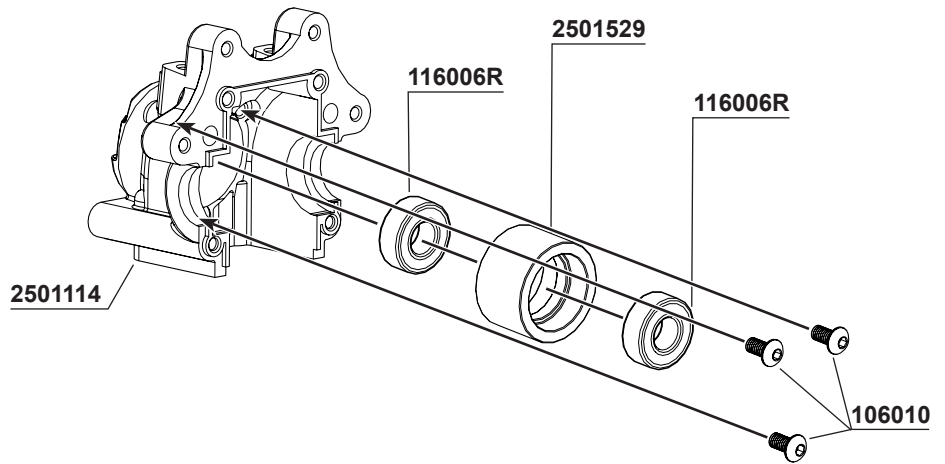
**108001**  
M3x12mm FH/ST HEX Screw x4



**116006R**  
Ball Bearing 8x16x5mm (Red Rubber Case) x2



**101018**  
SHIM 13x16x0.2mm x3



Please use the SHIM 13x16x0.2mm to adjust when the play was bigger between the crown gear and pinion gear.

# 6 Rear



**104010**  
M5x4mm Set Screw (Flat Bottom) x1



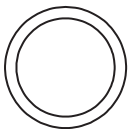
**108001**  
M3x12mm FH/ST HEX Screw x2



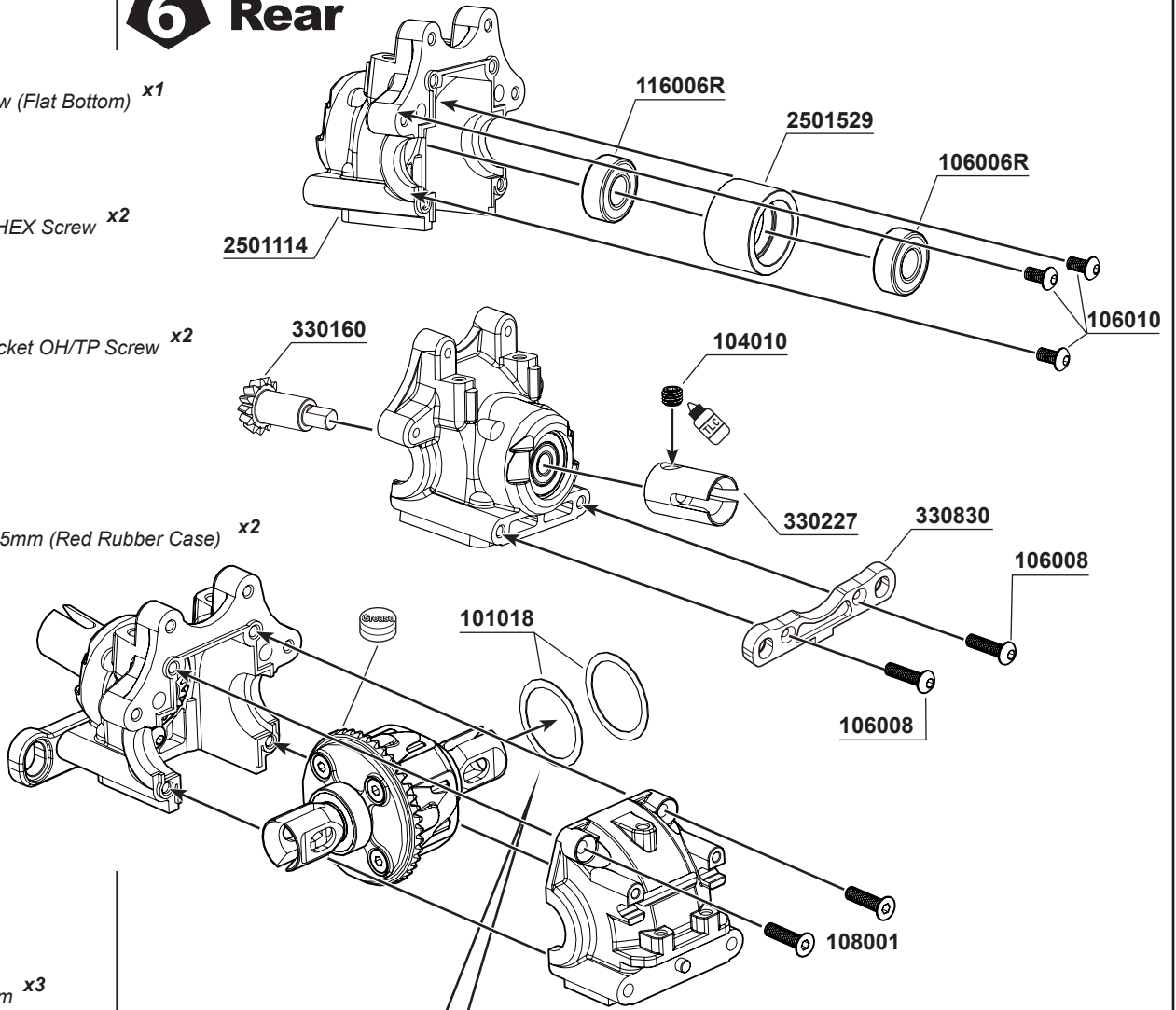
**106008**  
M3x12mm Hex Socket OH/TP Screw x2



**116006R**  
Ball Bearing 8x16x5mm (Red Rubber Case) x2



**101018**  
SHIM 13x16x0.2mm x3



Please use the SHIM 13x16x0.2mm to adjust when the play was bigger between the crown gear and pinion gear.

# BAG E1

# 7



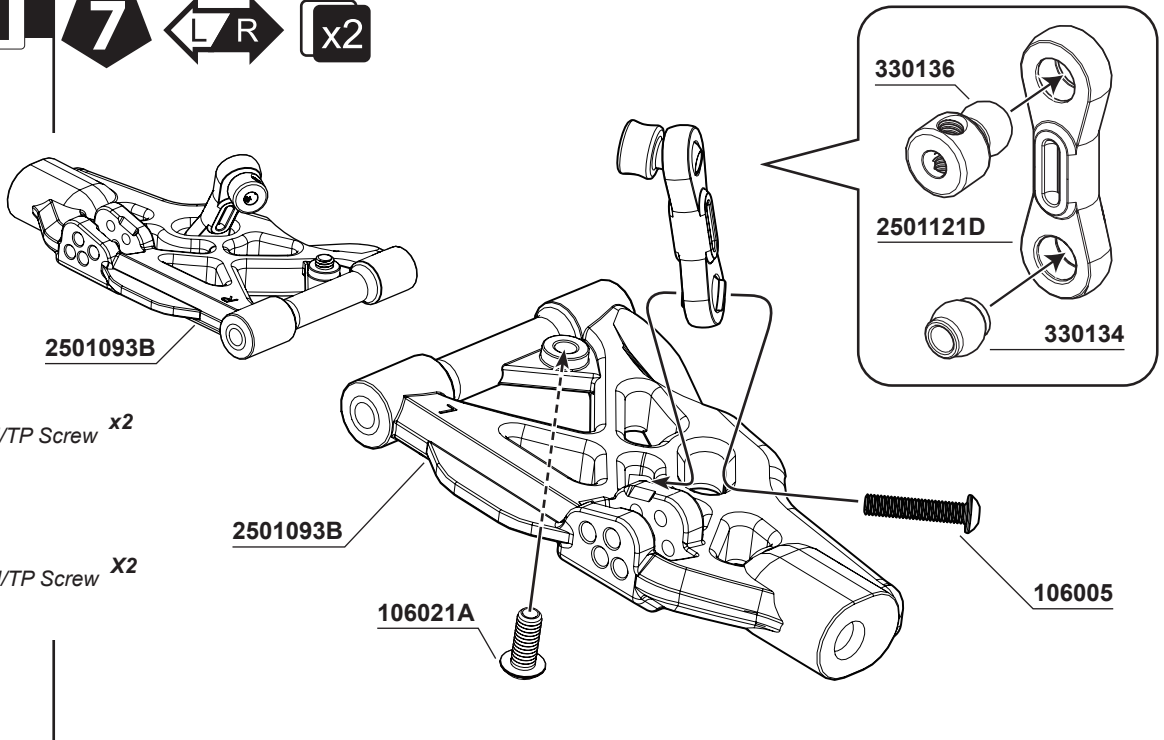
x2



**106005**  
M3x15mm Hex Socket OH/TP Screw x2



**106021A**  
M4x10mm Hex Socket OH/TP Screw x2

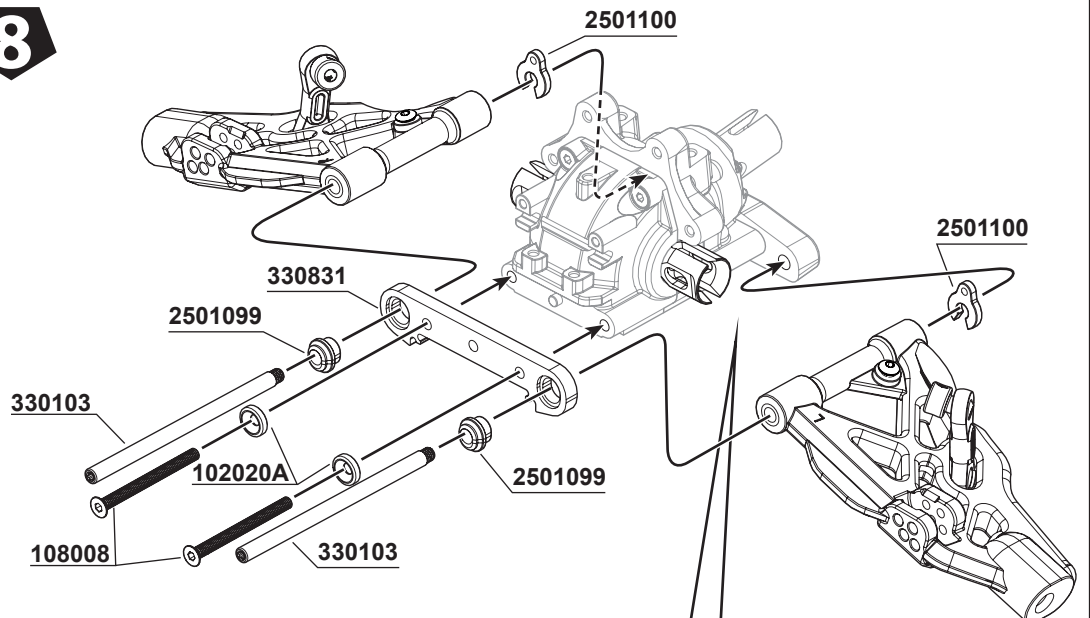




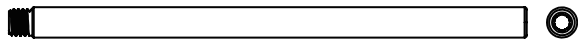
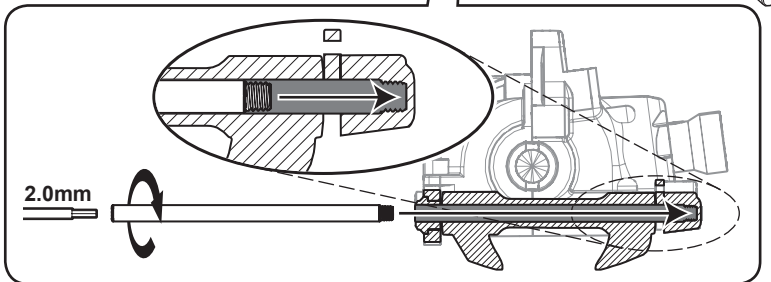
**108008**  
M3x35mm FH/ST HEX Screw x2



**101020A**  
3mm Countersunk Washers (GM) x2



Use a 2mm Hex Wrench and slowly tighten the Hinge Pins.

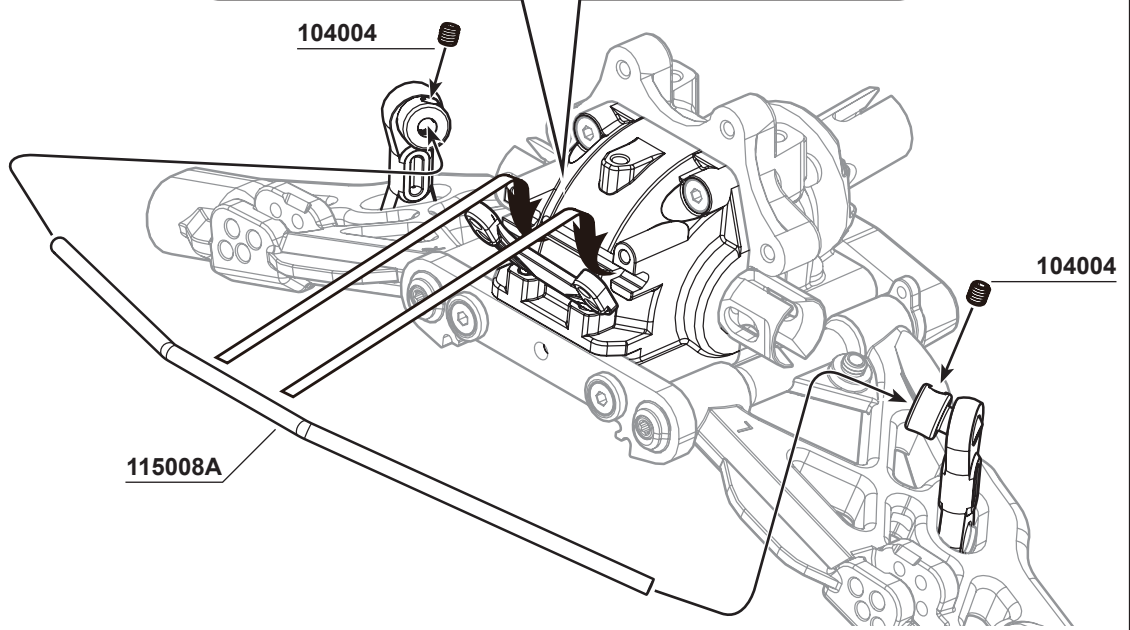
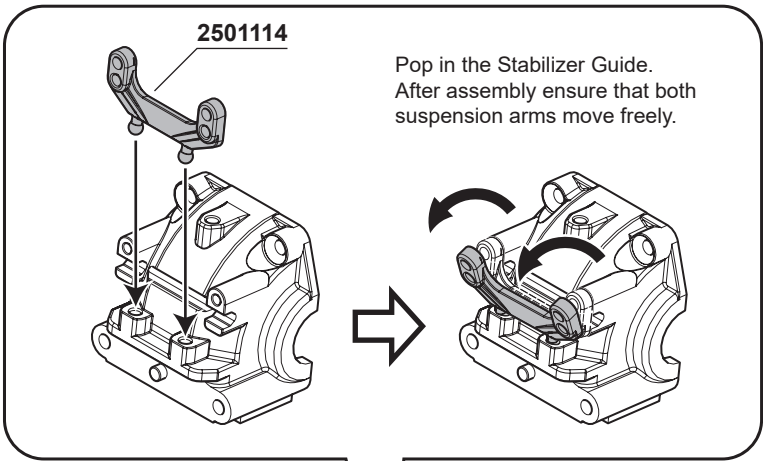


**330103**  
Front/Rear Lower Arm HingPin x2

**9**



**104004**  
M3x3mm Set Screw x2

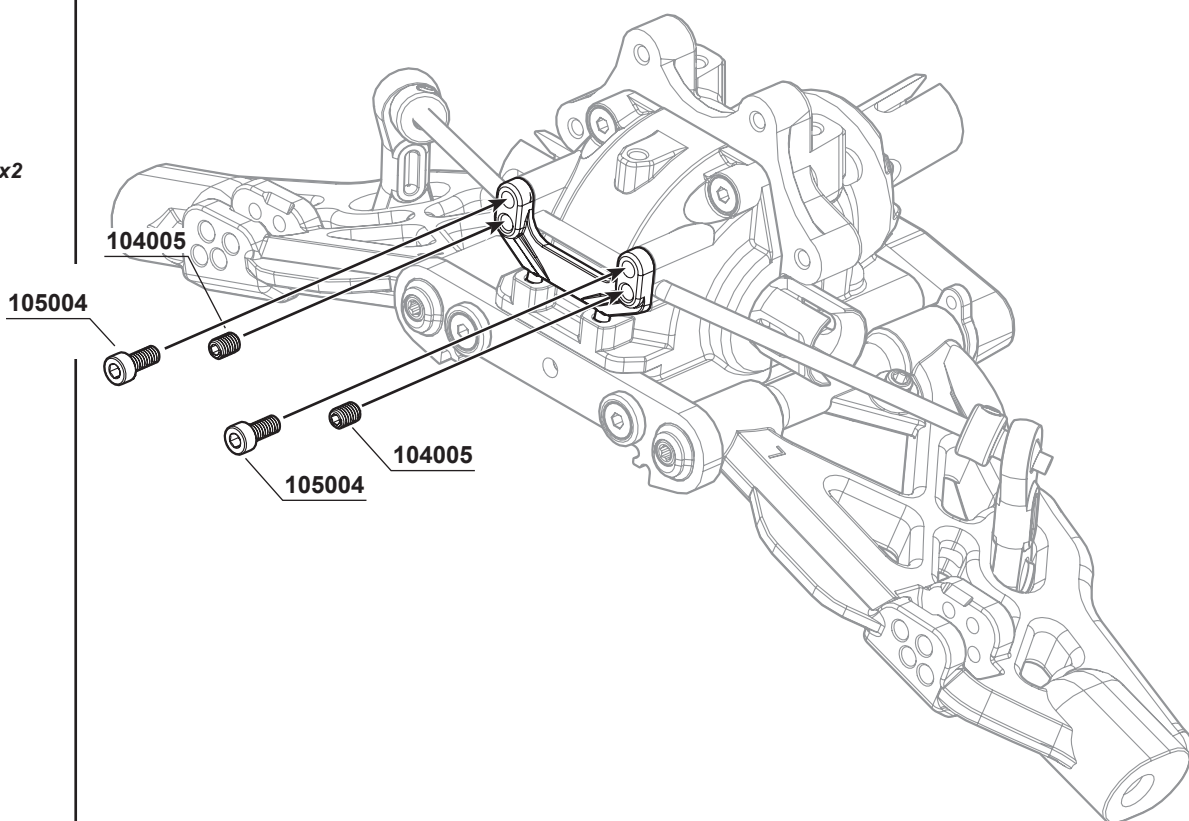




**104005**  
M3x4mm Set Screw x2



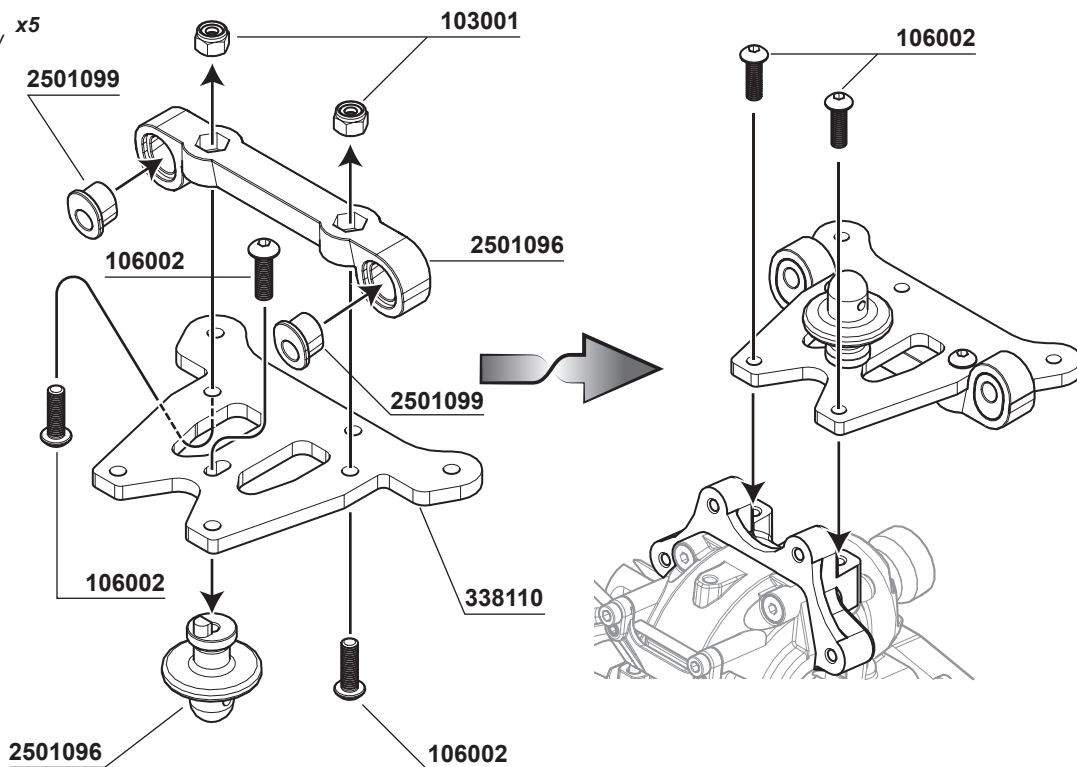
**105004**  
M2.6x6mm Cap Screw x2



**106002**  
M3x10mm Hex Socket OH/TP Screw x5

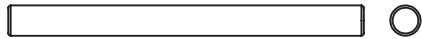


**103001**  
M3 Nut Lock x2

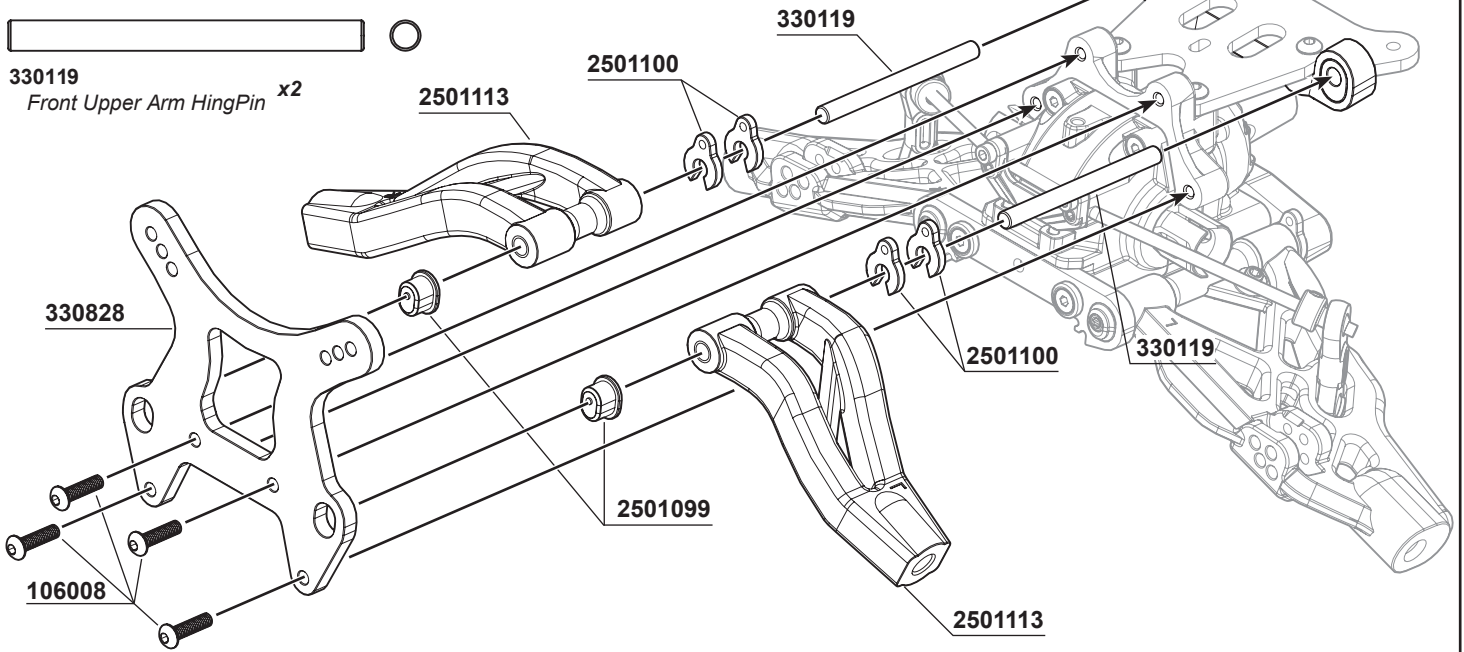




**106008**  
M3x12mm Hex Socket OH/TP Screw **x4**



**330119**  
Front Upper Arm HingPin **x2**



**13**



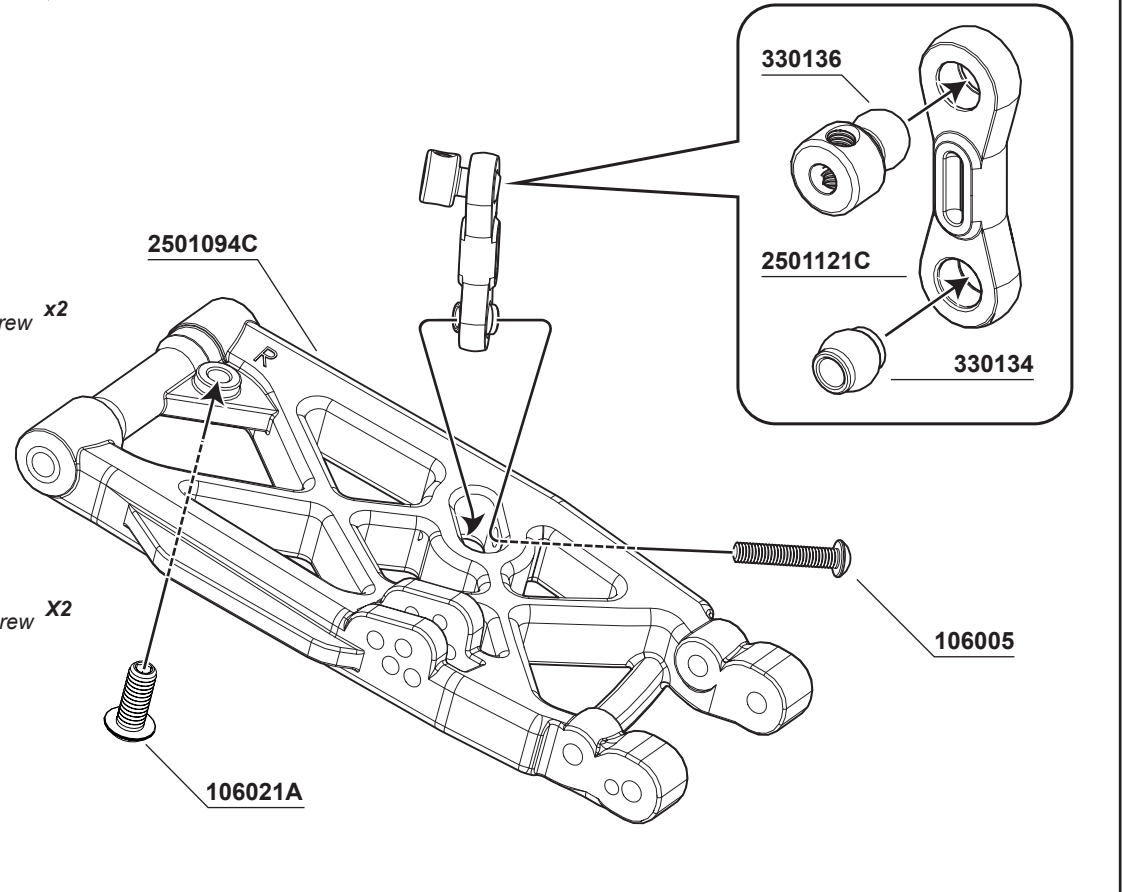
**x2**



**106005**  
M3x15mm Hex Socket OH/TP Screw **x2**



**106021A**  
M4x10mm Hex Socket OH/TP Screw **x2**





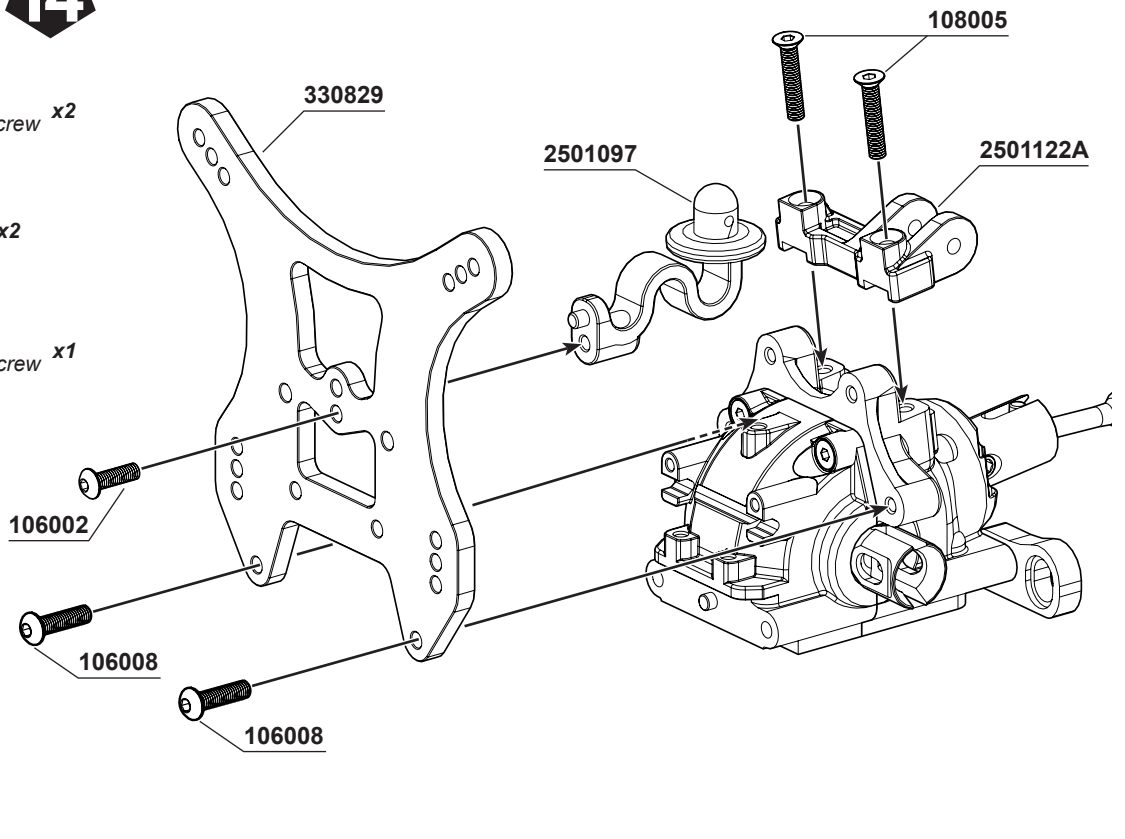
**106008**  
M3x12mm Hex Socket OH/TP Screw x2



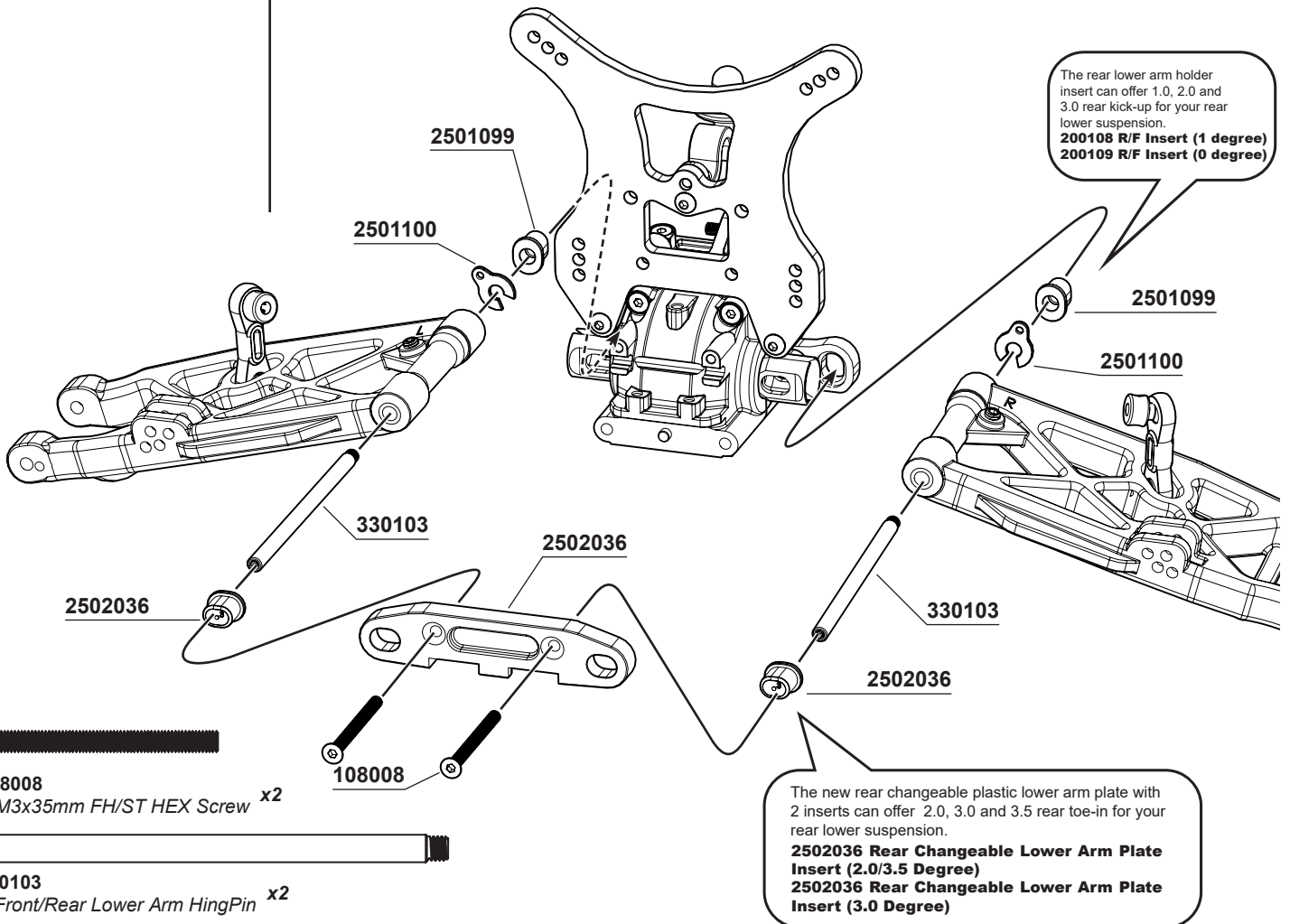
**108005**  
M3x14mm FH/ST HEX Screw x2



**106002**  
M3x10mm Hex Socket OH/TP Screw x1



**15**



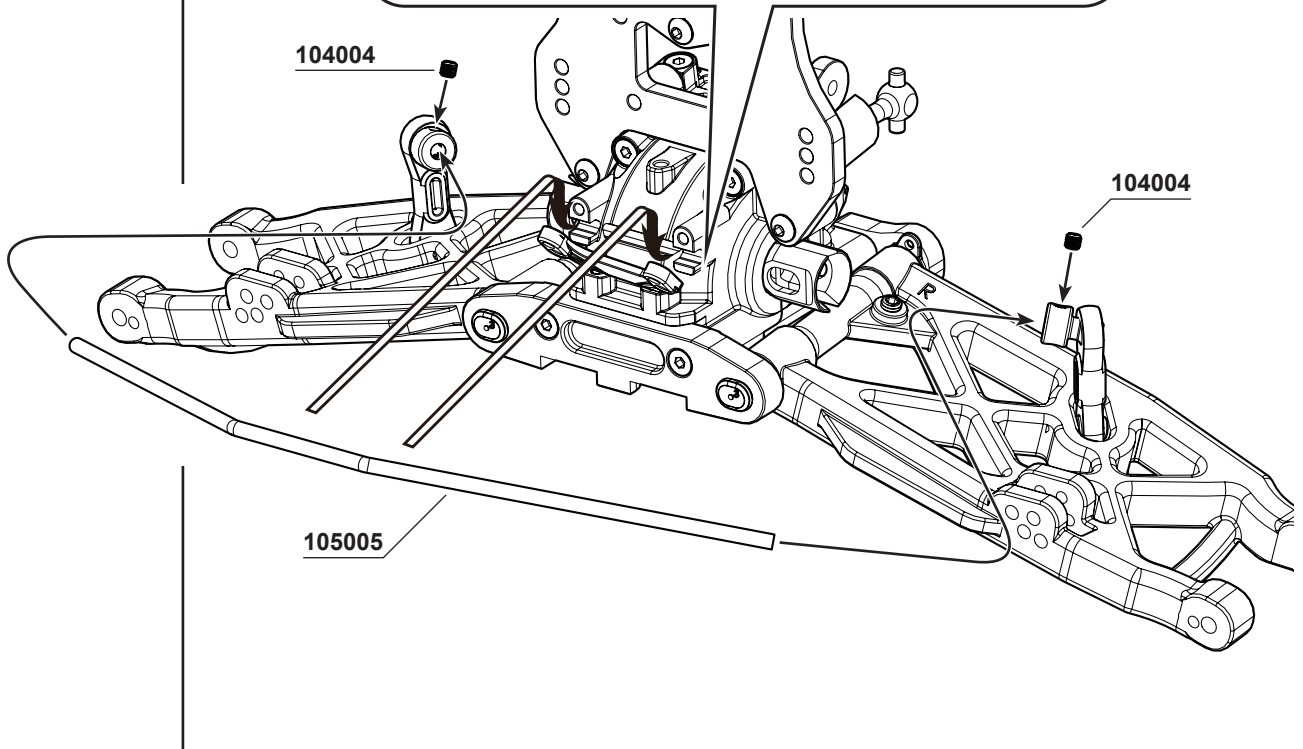
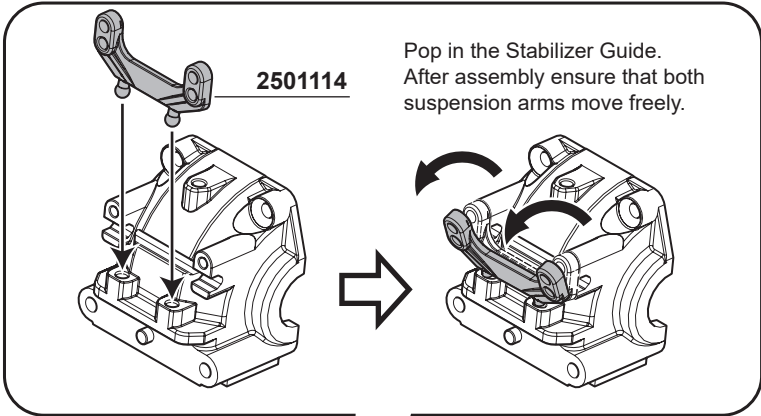
**108008**  
M3x35mm FH/ST HEX Screw x2



**330103**  
Front/Rear Lower Arm HingPin x2



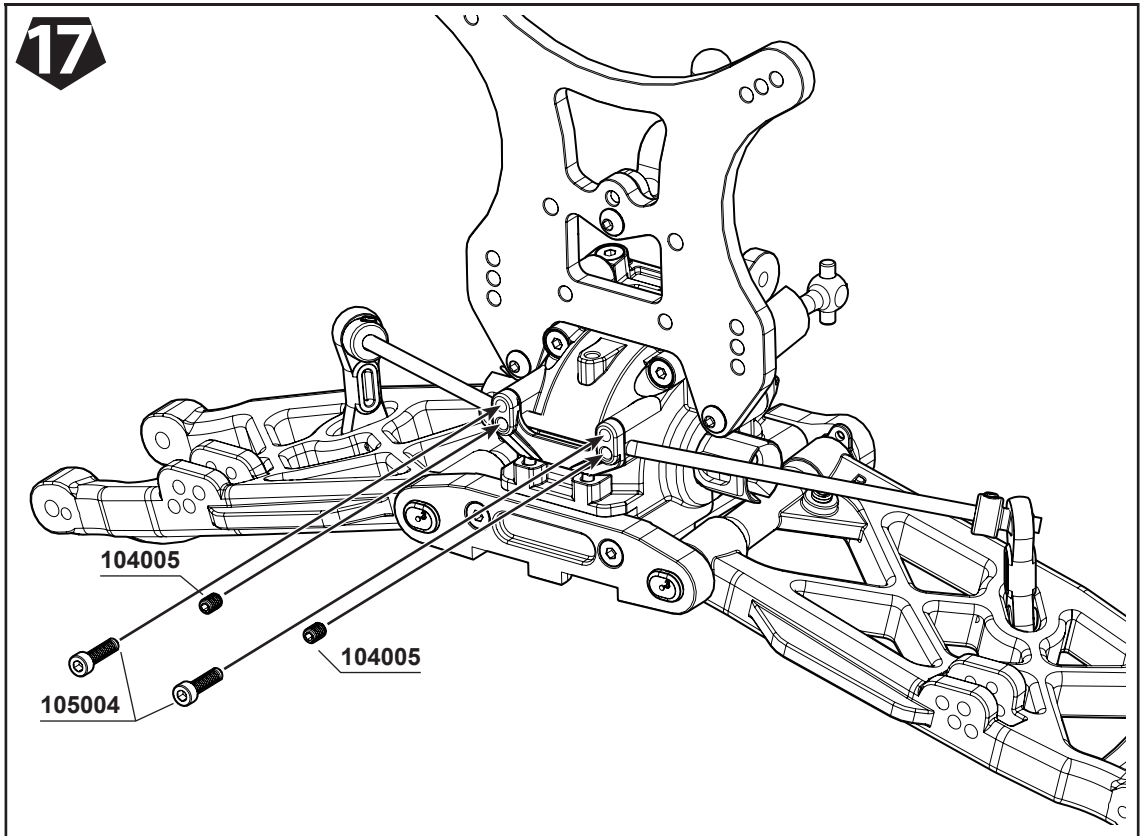
**104004**  
M3x3mm Set Screw x2







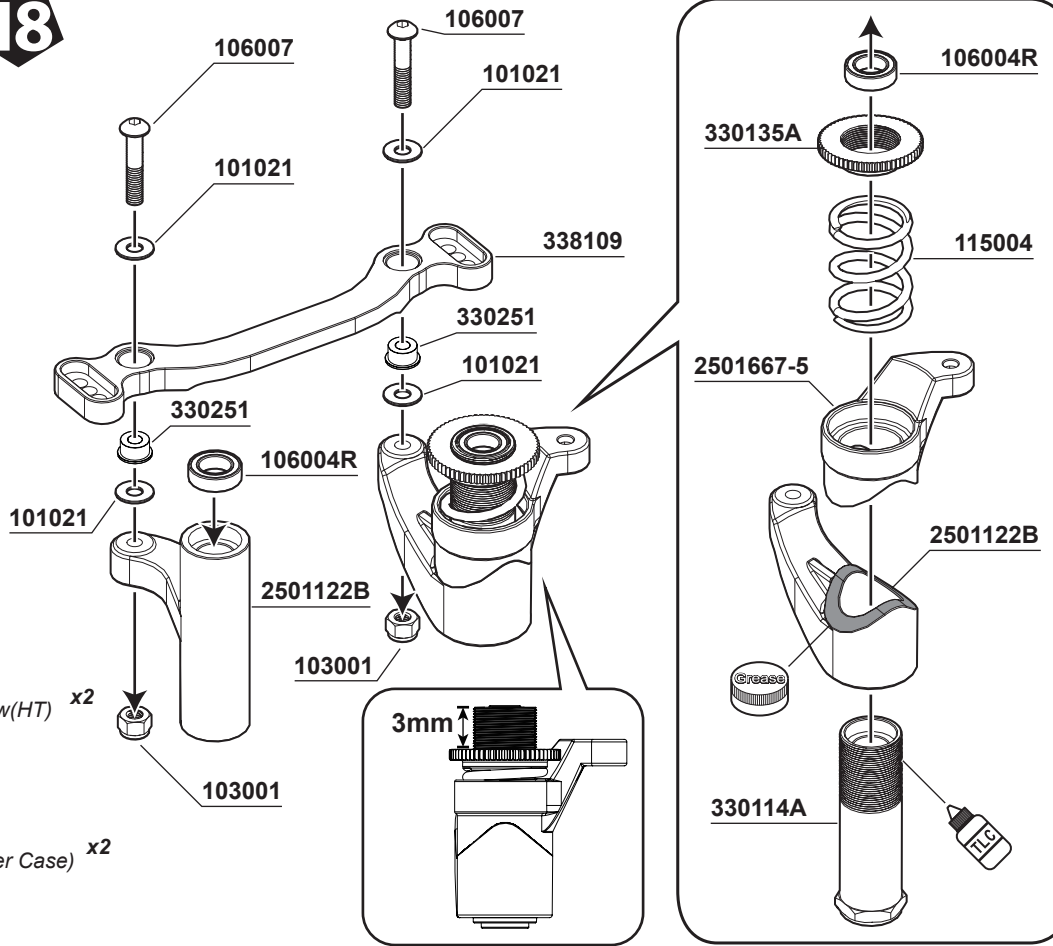
**104005**  
M3x4mm Set Screw x2






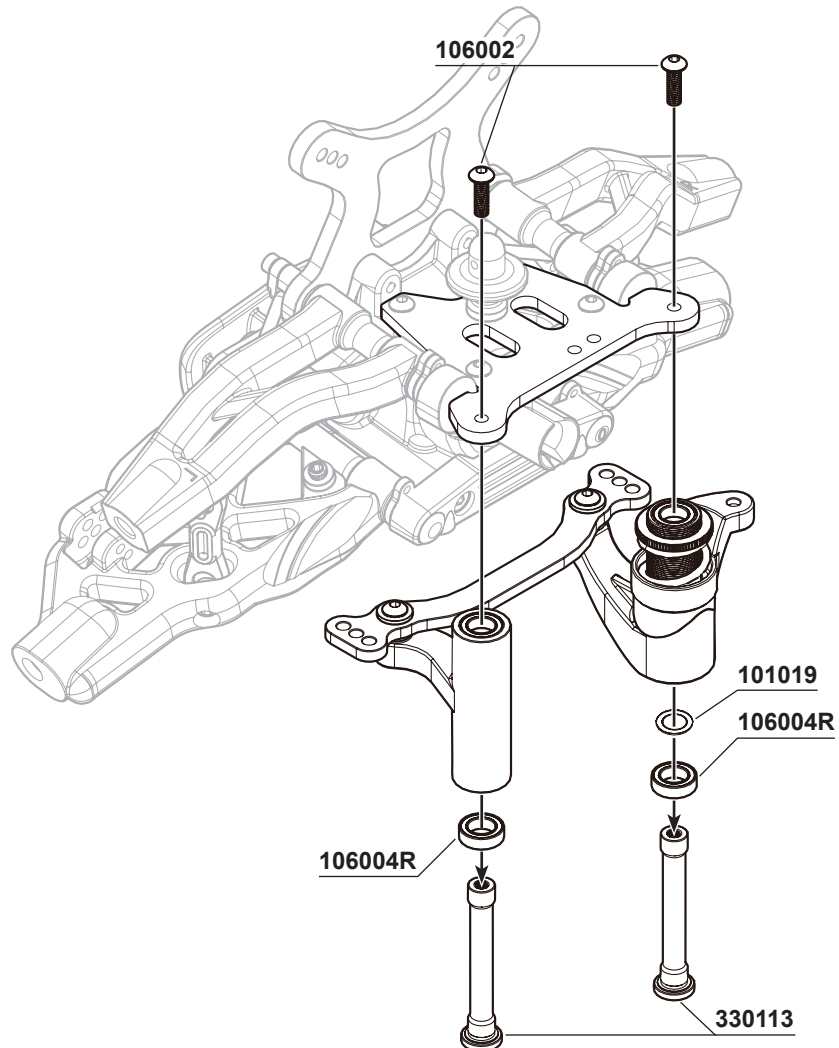
**105004**  
M2.6x6mm Cap Screw x2



-  **103001**  
M3 Nut Lock x2
-  **101021**  
M3x8xT1mm x4
-  **106007**  
M3x12mm Hex Socket OH/TP Screw(HT) x2
-  **116004R**  
Ball Bearing 6x10x3mm (Red Rubber Case) x2



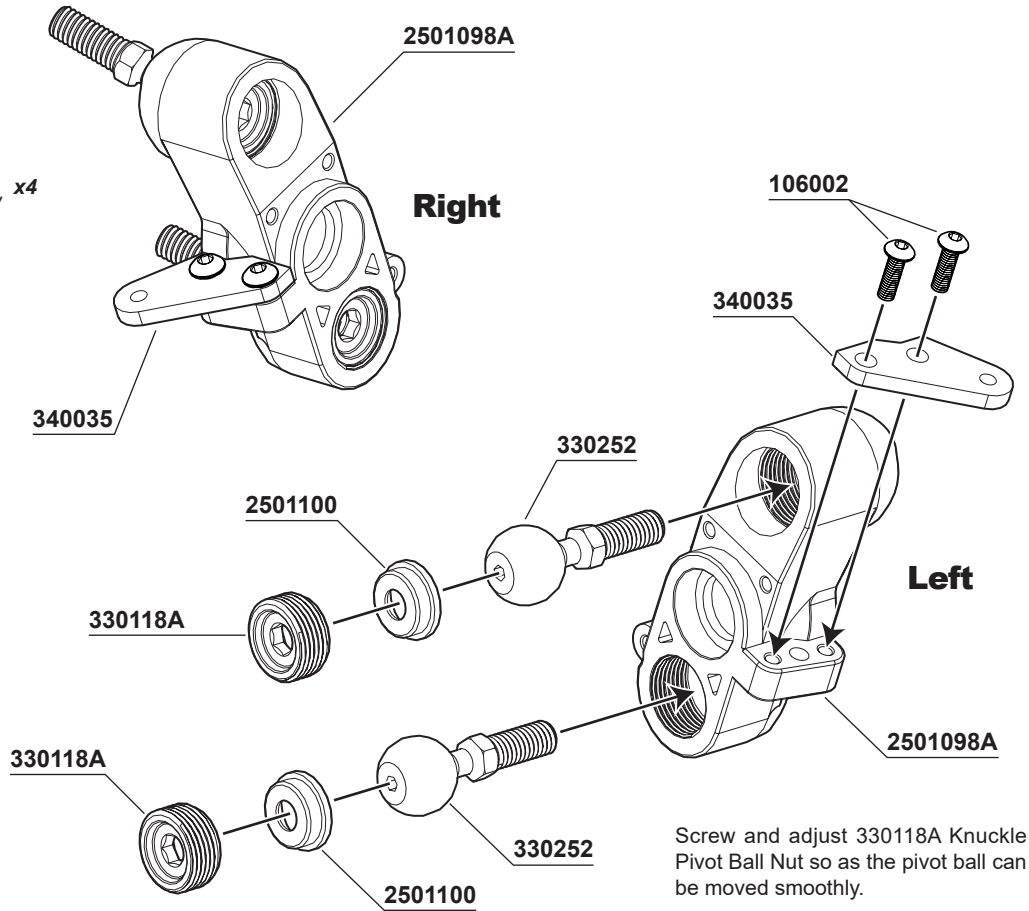
-  **106002**  
M3x10mm Hex Socket OH/TP Screw x2
-  **116004R**  
Ball Bearing 6x10x3mm (Red Rubber Case) x2
-  **101019**  
SHIM 6.0x10.0x0.2mm x1







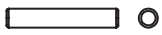
**106002**  
M3x10mm Hex Socket OH/TP Screw **x4**



Screw and adjust 330118A Knuckle Pivot Ball Nut so as the pivot ball can be moved smoothly.



**104010**  
M5x4mm Set Screw (Flat Bottom) **x2**



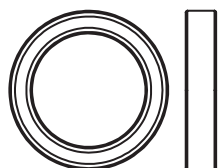
**330111**  
Pin M2.5x14.8mm **x2**



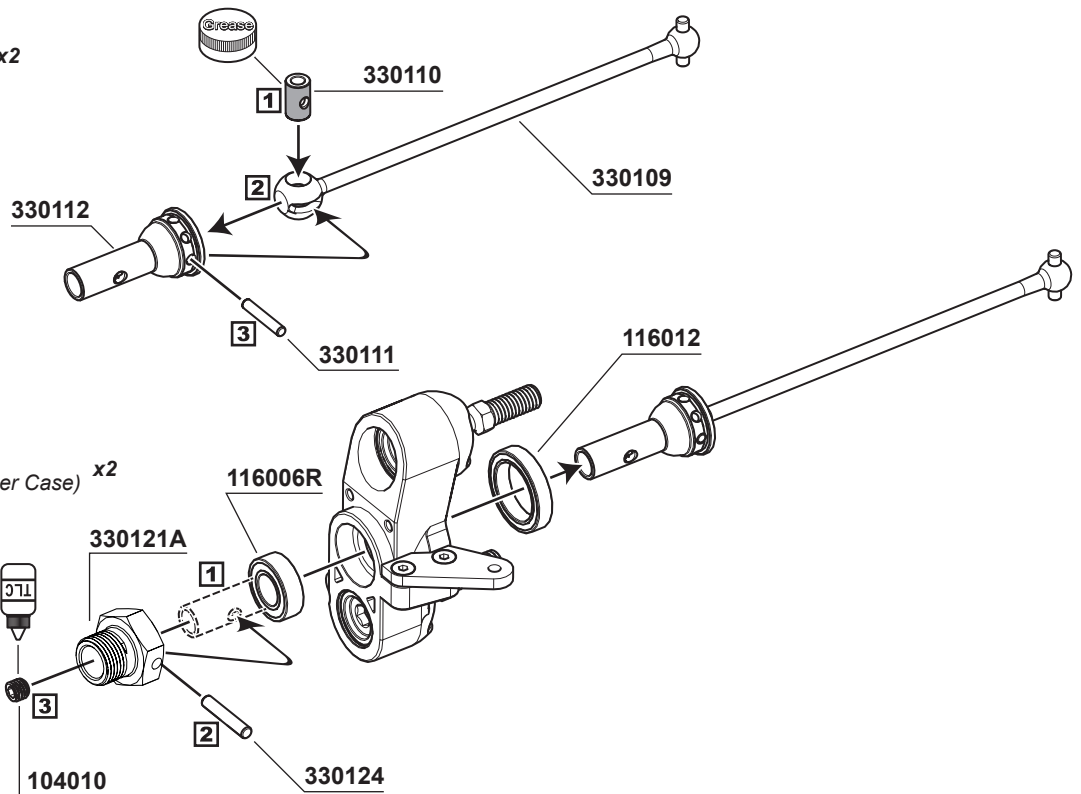
**330124**  
Pin M3.0x16.8mm **x2**



**116006R**  
Ball Bearing 8x16x5mm (Red Rubber Case) **x2**

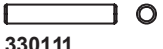


**116012**  
Ball Bearing 15x21x4mm **x2**

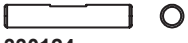




**104010**  
M5x4mm Set Screw (Flat Bottom) x2



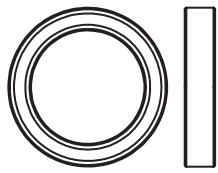
**330111**  
Pin M2.5x14.8mm x2



**330124**  
Pin M3.0x16.8mm x2



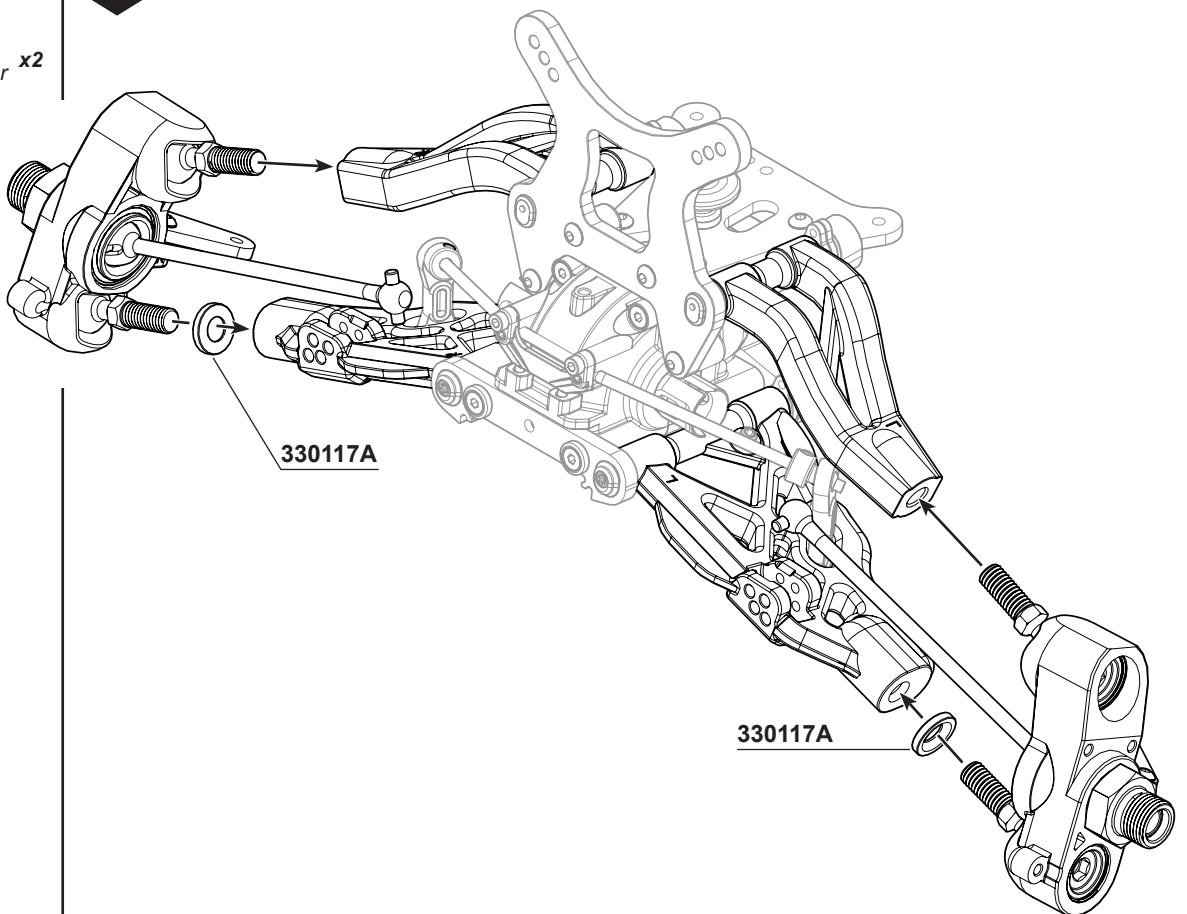
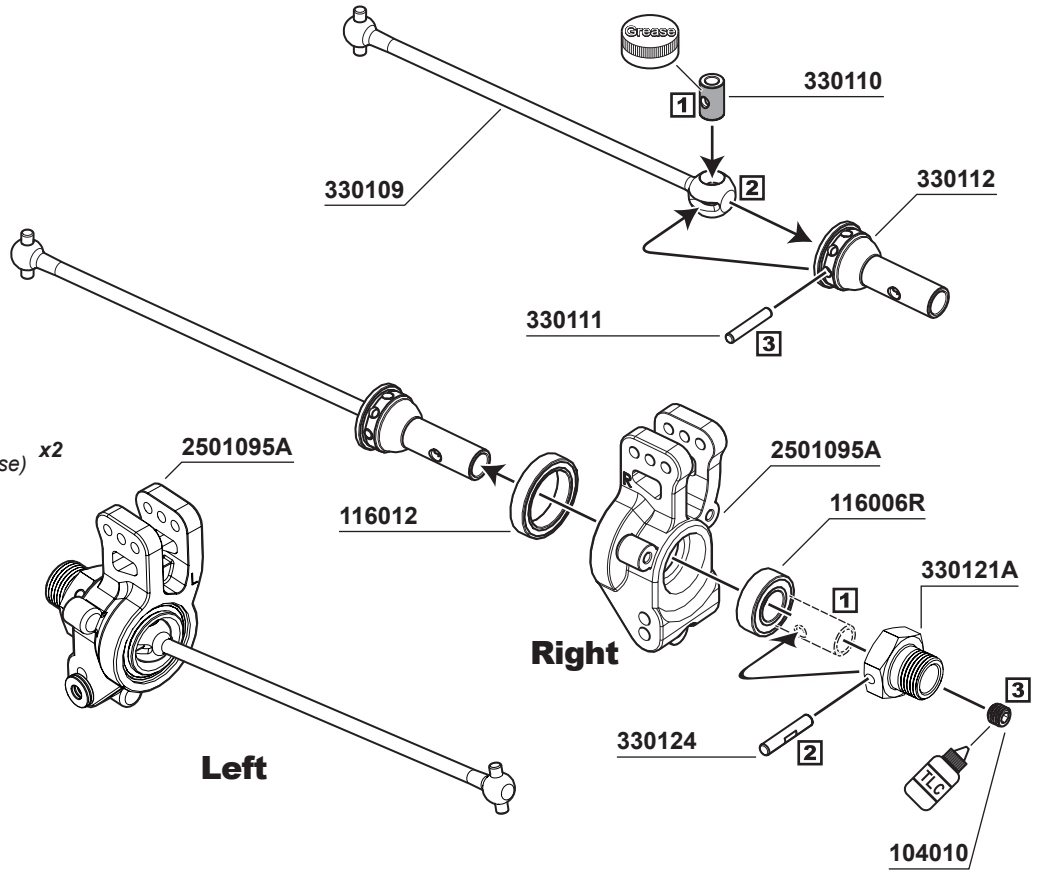
**116006R**  
Ball Bearing 8x16x5mm (Red Rubber Case) x2



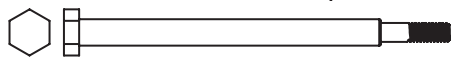
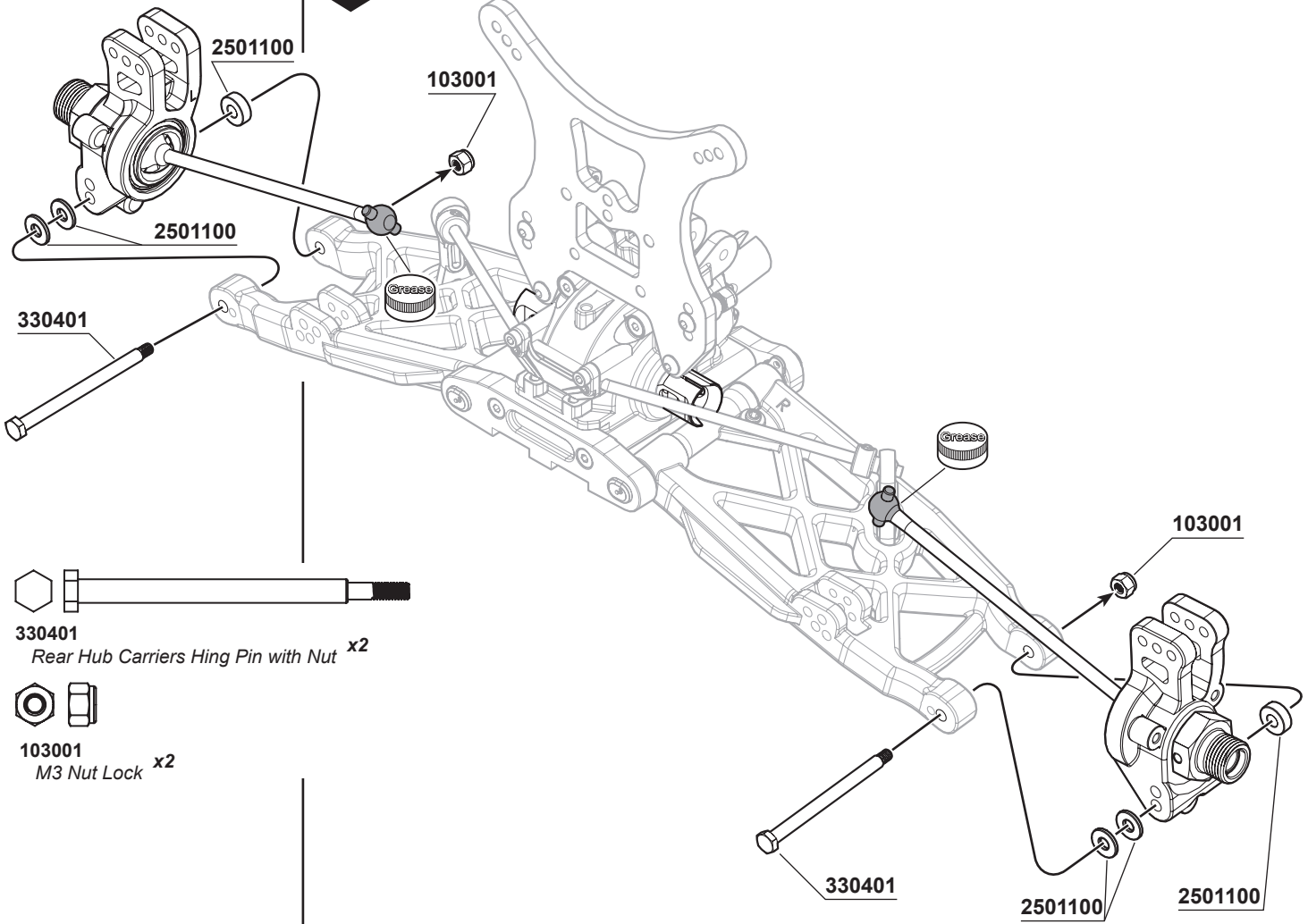
**116012**  
Ball Bearing 15x21x4mm x2



**330117A**  
Knuckle Pivot Ball Washer x2



**24**



**330401**  
Rear Hub Carriers Hing Pin with Nut **x2**

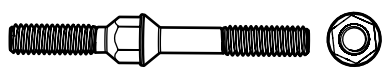


**103001**  
M3 Nut Lock **x2**

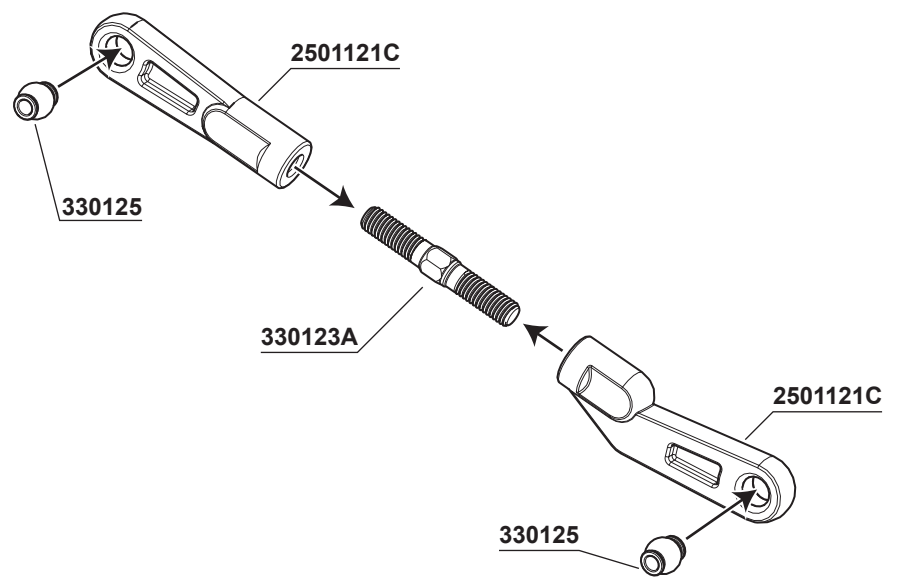
**25**



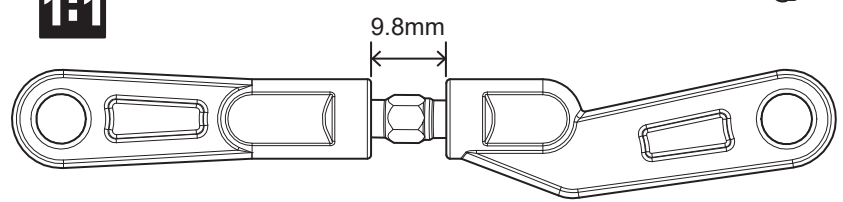
**x2**



**330123A**  
Rear Upper Sus. Arm Turnbuckles **x2**



**1:1**



**26**  **x2**



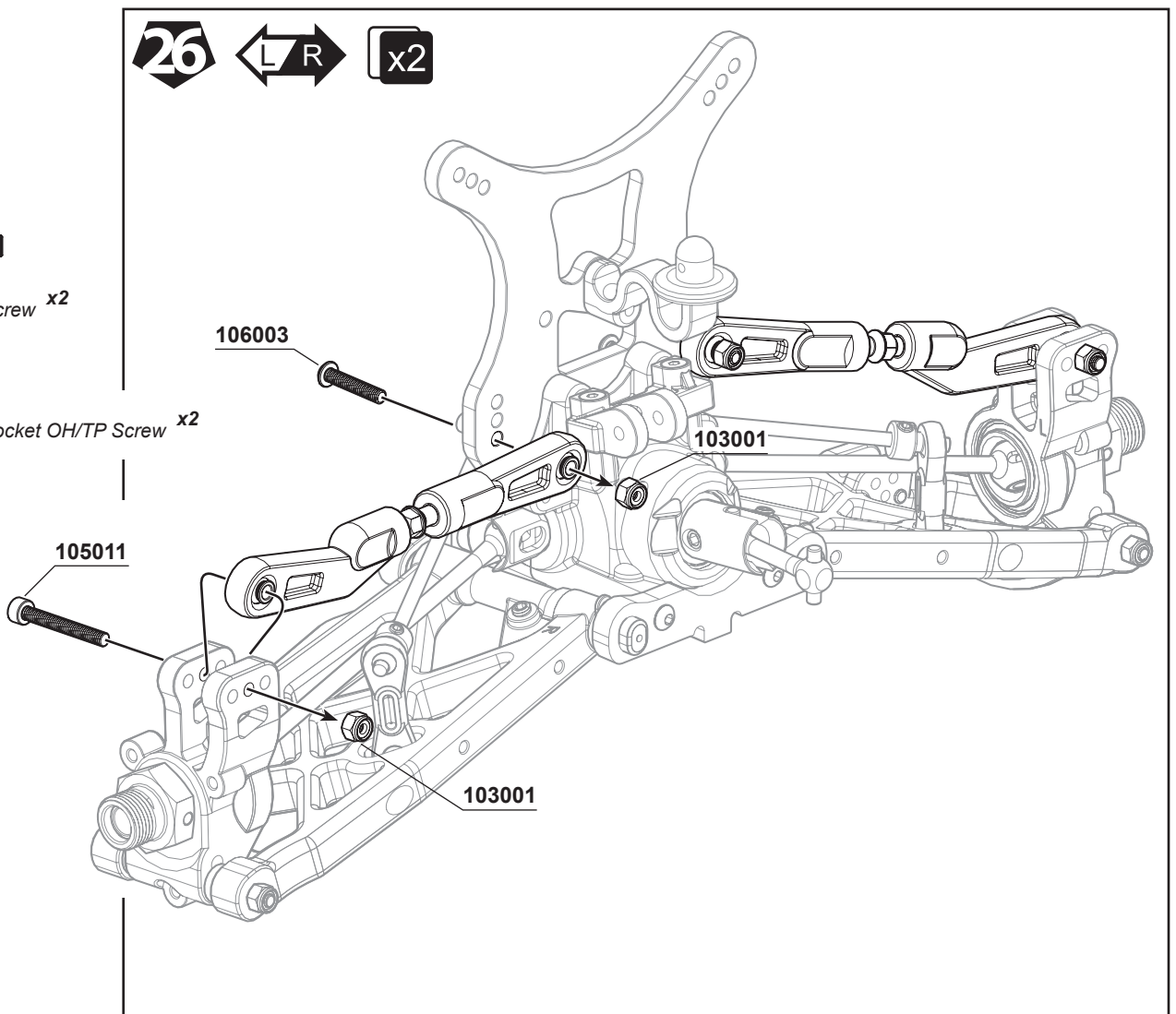
**103001**  
M3 Nut Lock x4



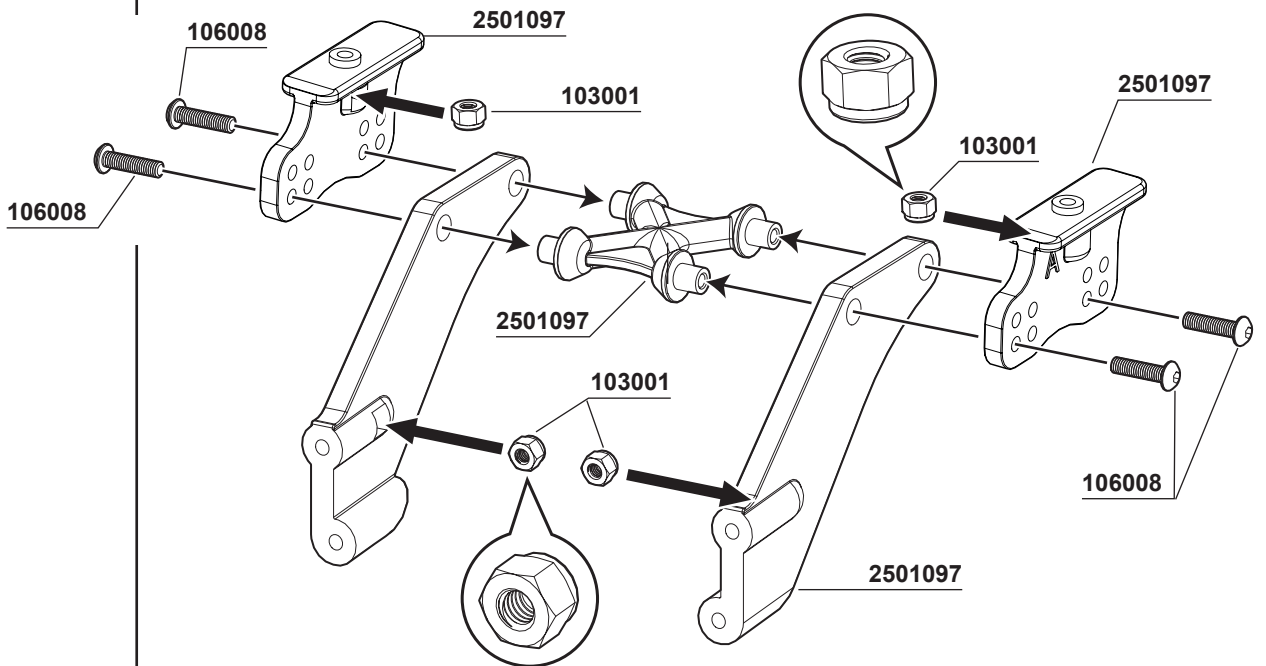
**105011**  
M3x23mm Cap Screw x2



**106003**  
M3x16mm Hex Socket OH/TP Screw x2



**27**



**103001**  
M3 Nut Lock x4



**106008**  
M3x12mm Hex Scket OH/TP Screw x4

28

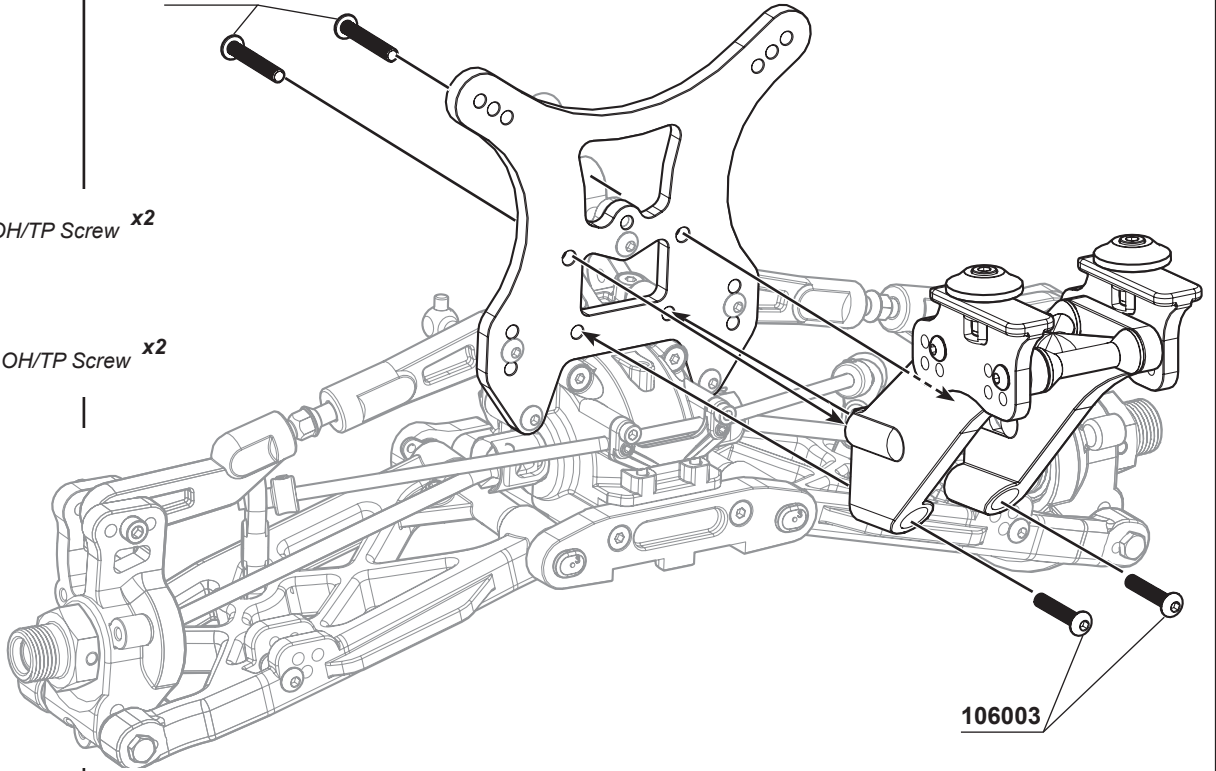
106006



106006  
M3x20mm Hex Scket OH/TP Screw x2



106003  
M3x16mm Hex Scket OH/TP Screw x2



106003

BAG

F

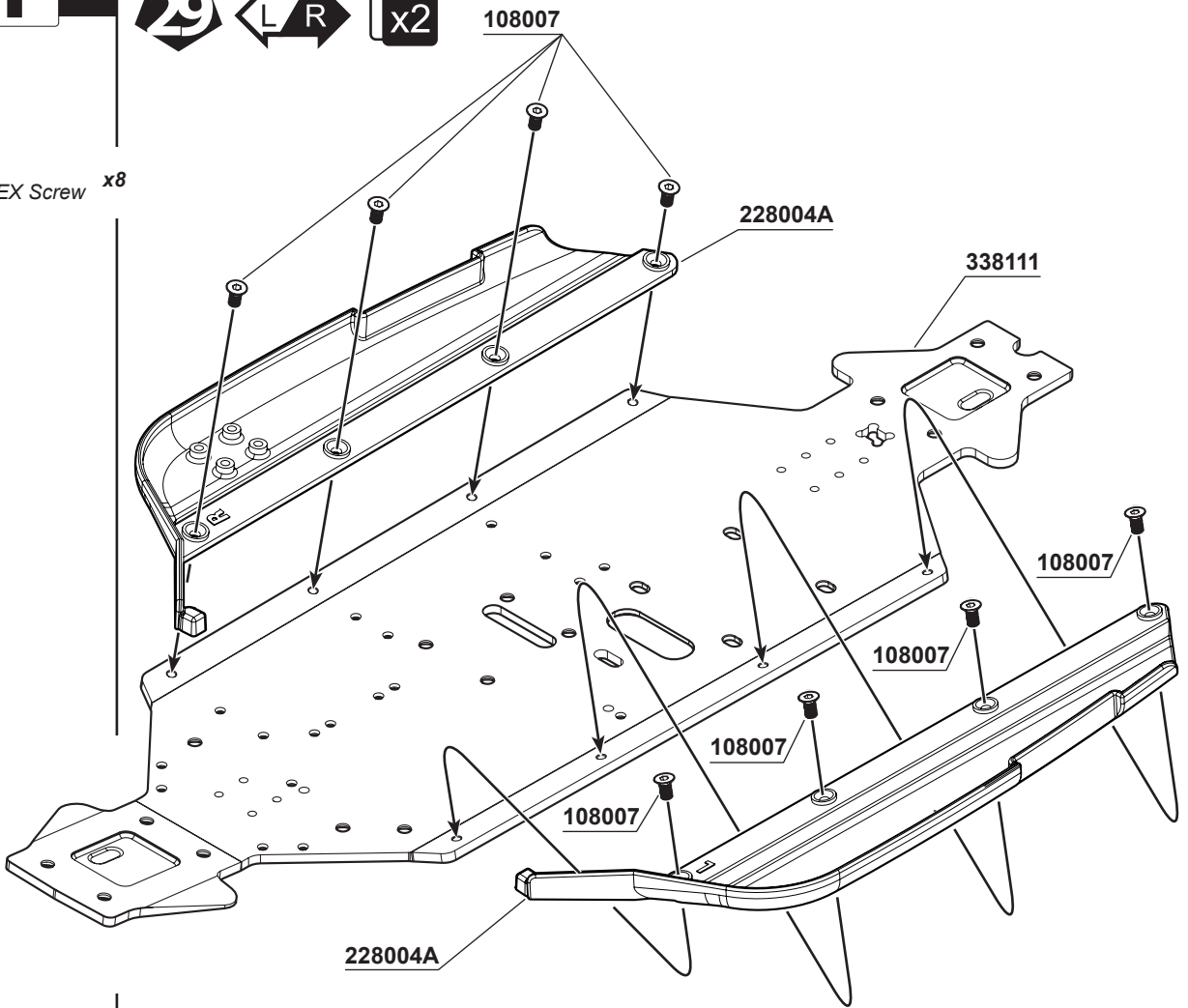
29



x2



108007  
M3x6mm FH/ST HEX Screw x8



**30**



**106002**  
M3x10mm Hex Soket OH/TP Screw x1



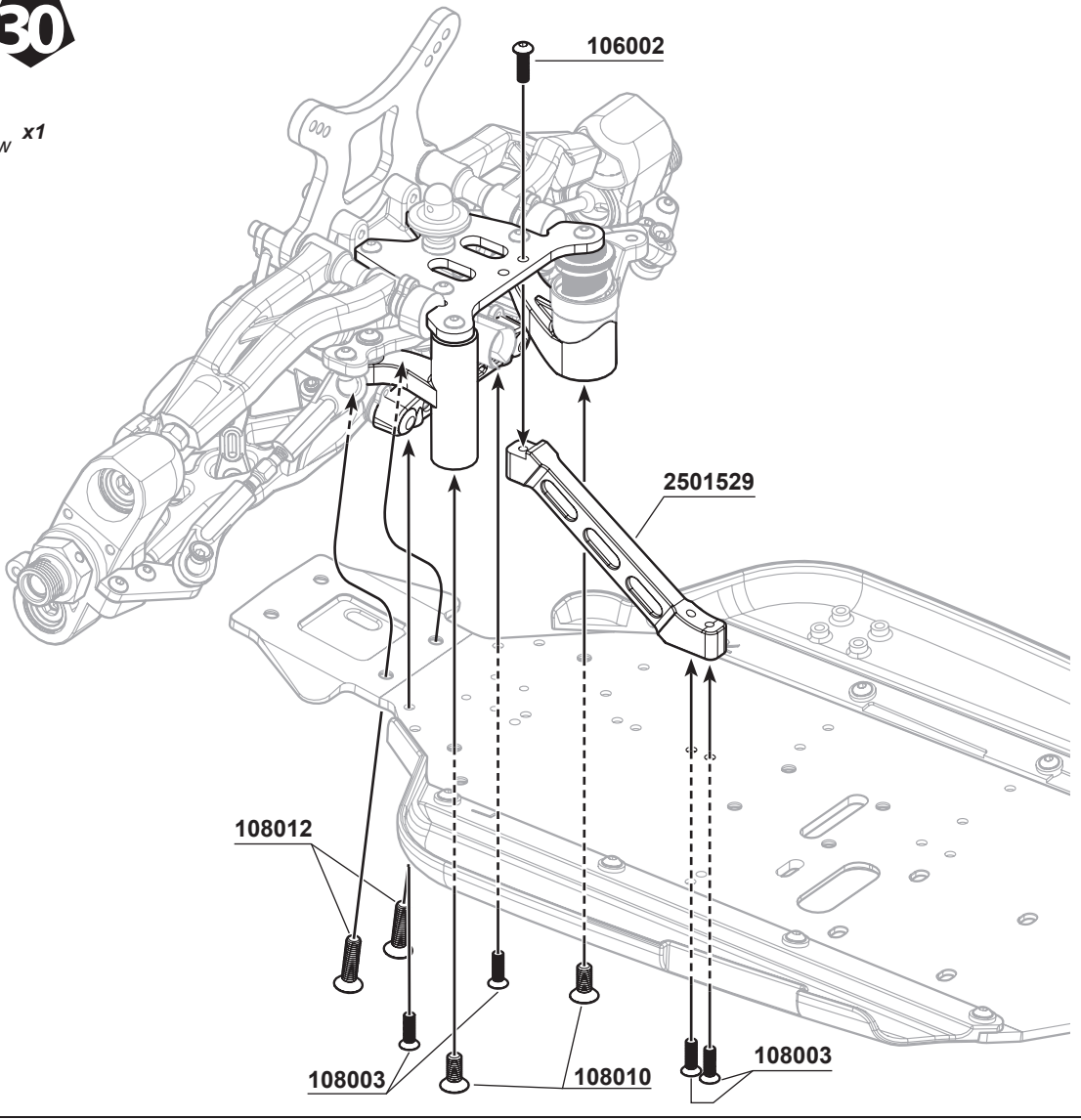
**108003**  
M3x10mm FH/ST HEX Screw x4



**108010**  
M4x10mm FH/ST HEX Screw x2



**108012**  
M4x16mm FH/ST HEX Screw x2

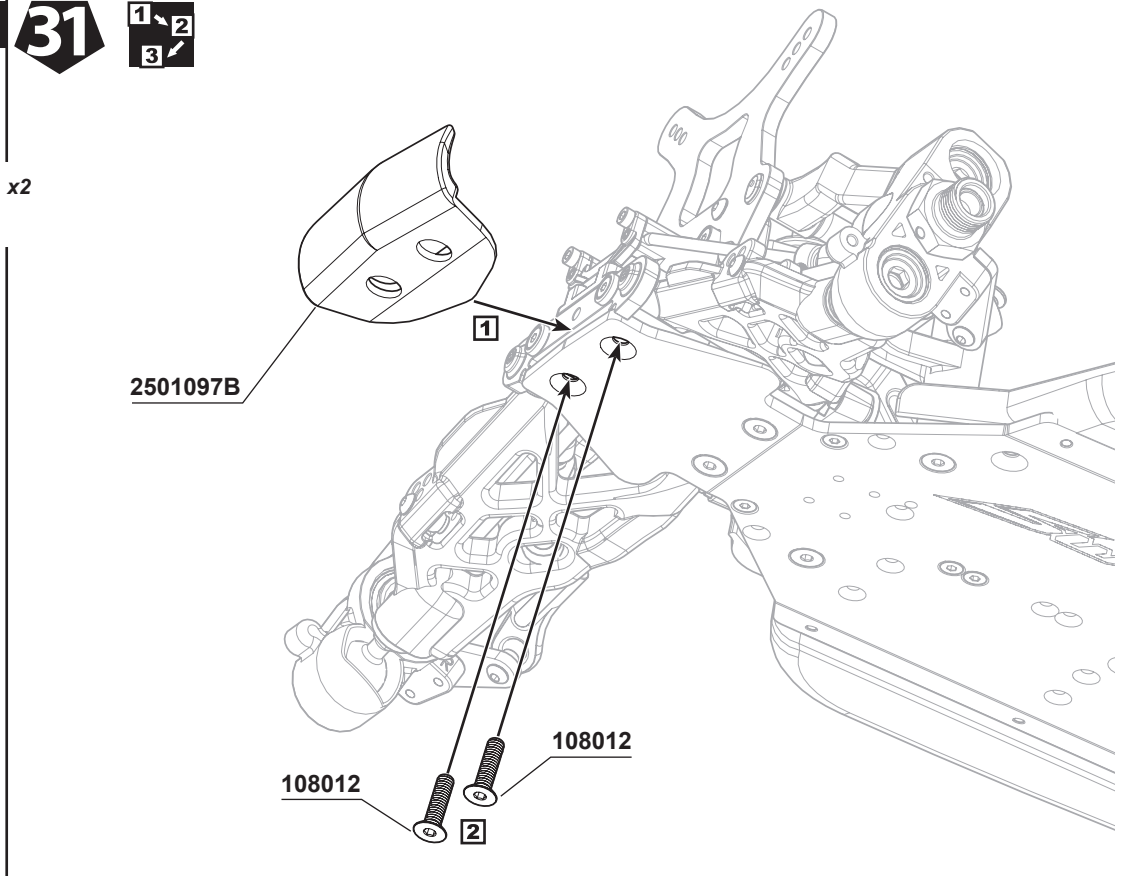


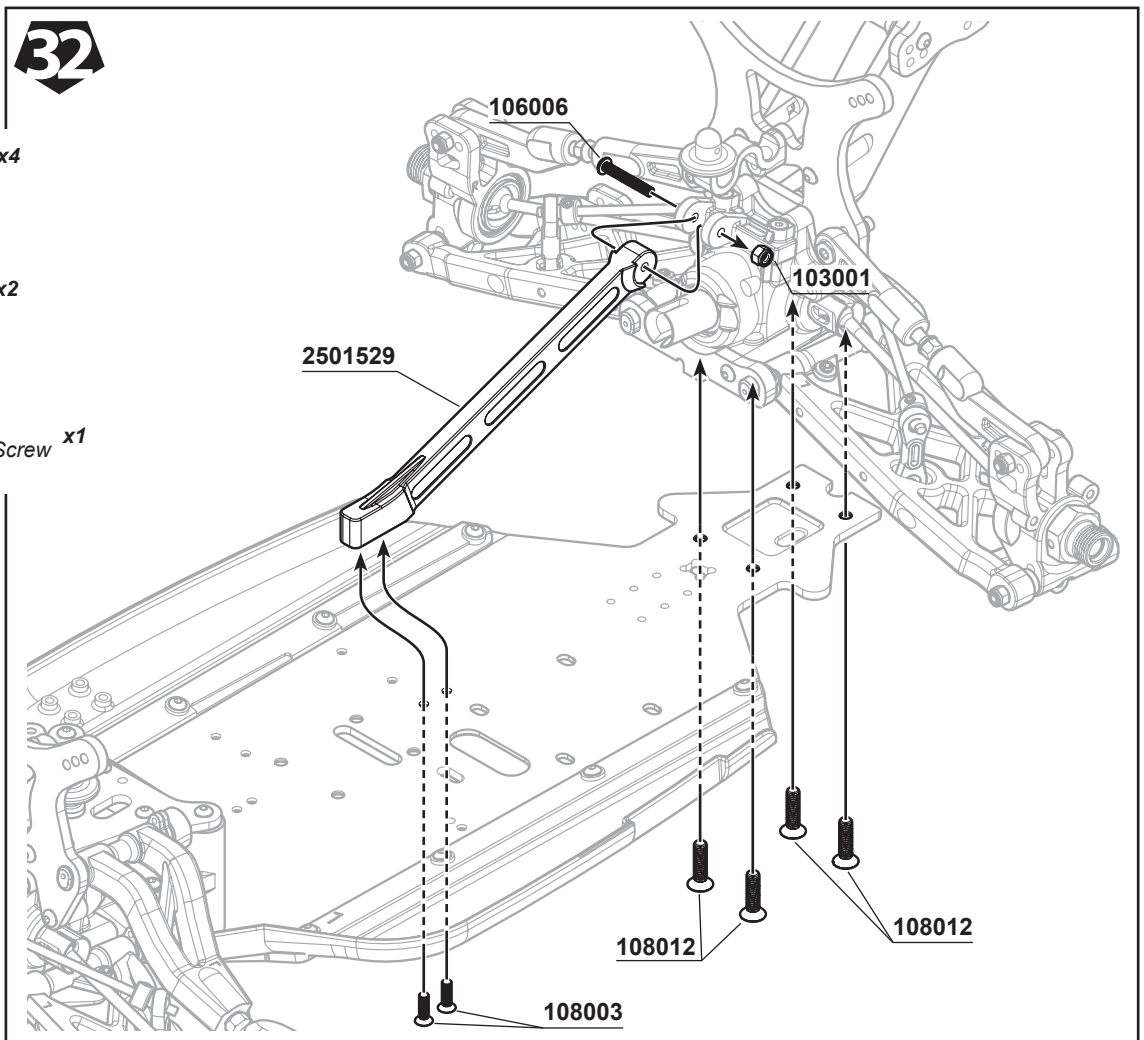
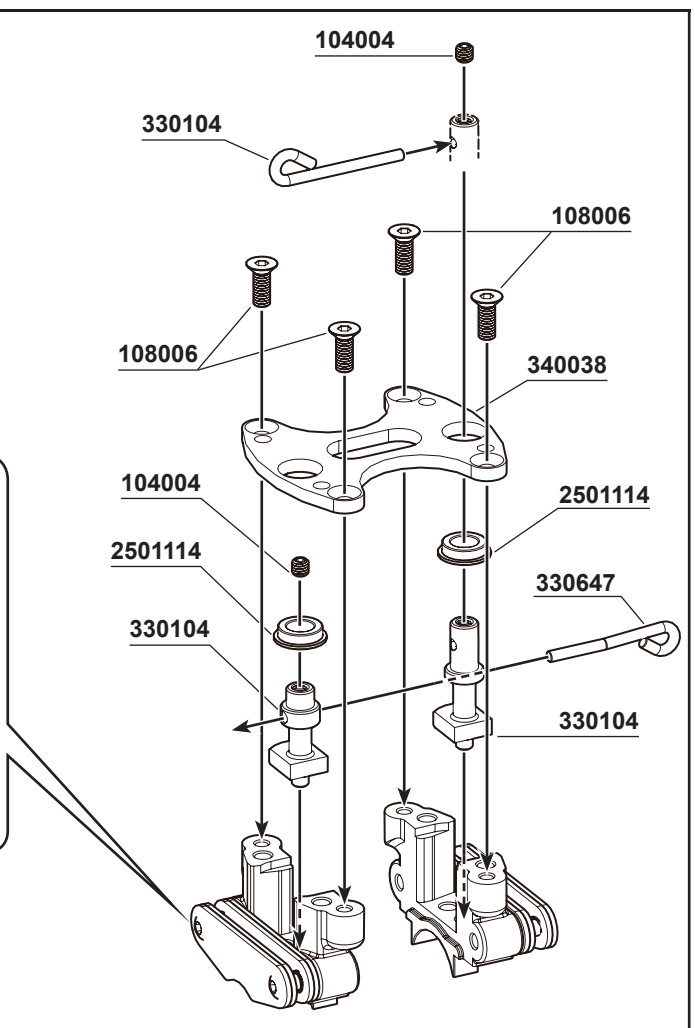
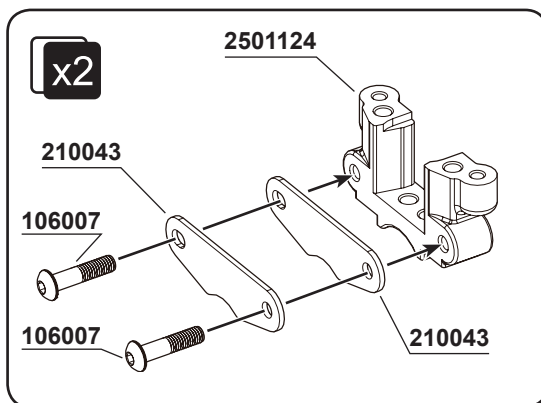
**BAG F**

**31**



**108012**  
M4x16mm FH/ST HEX Screw x2

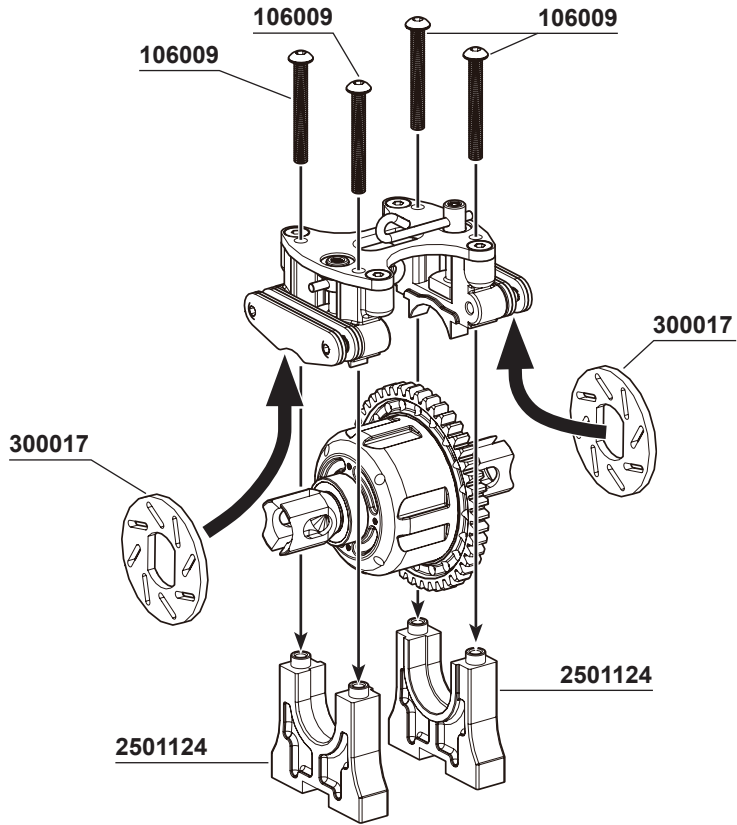


**32****108012**  
M4x16mm FH/ST HEX Screw **x4****108003**  
M3x10mm FH/ST HEX Screw **x2****106006**  
M3x20mm Hex Socket OH/TP Screw **x1****103001**  
M3 Nut Lock **x1****BAG F****33****106007**  
M3x12mm Hex Socket OH/TP Screw(HT) **x4****104004**  
M3x3mm Set Screw **x2****108006**  
M3x8mm FH/ST HEX Screw **x4**

**34**

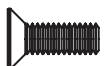
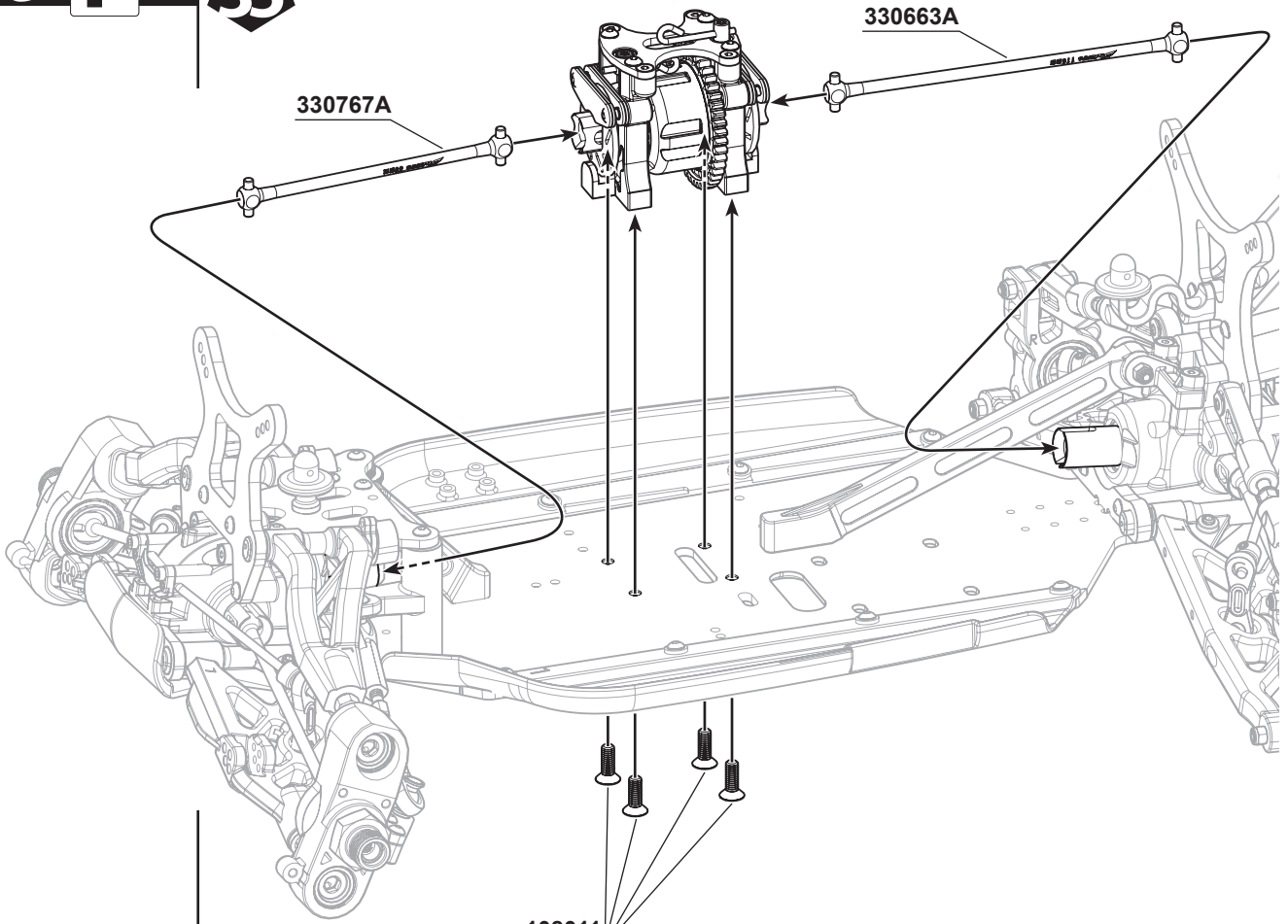


**106009**  
M3x25mm Hex Socket OH/TP Screw **x4**



**BAG F**

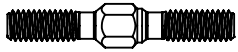
**35**



**108011**  
M4x12mm FH/ST HEX Screw **x4**

**108011**





**330813**  
Steering Turnbuckle **x2**

**330777A**

**2501121C**

**330813**

**2501121C**

**330777A**

**Left**

**Right**

**1:1**

13.4mm



**106008**  
M3x12mm Hex Scket OH/TP Screw **x4**

**106008**

**106008**

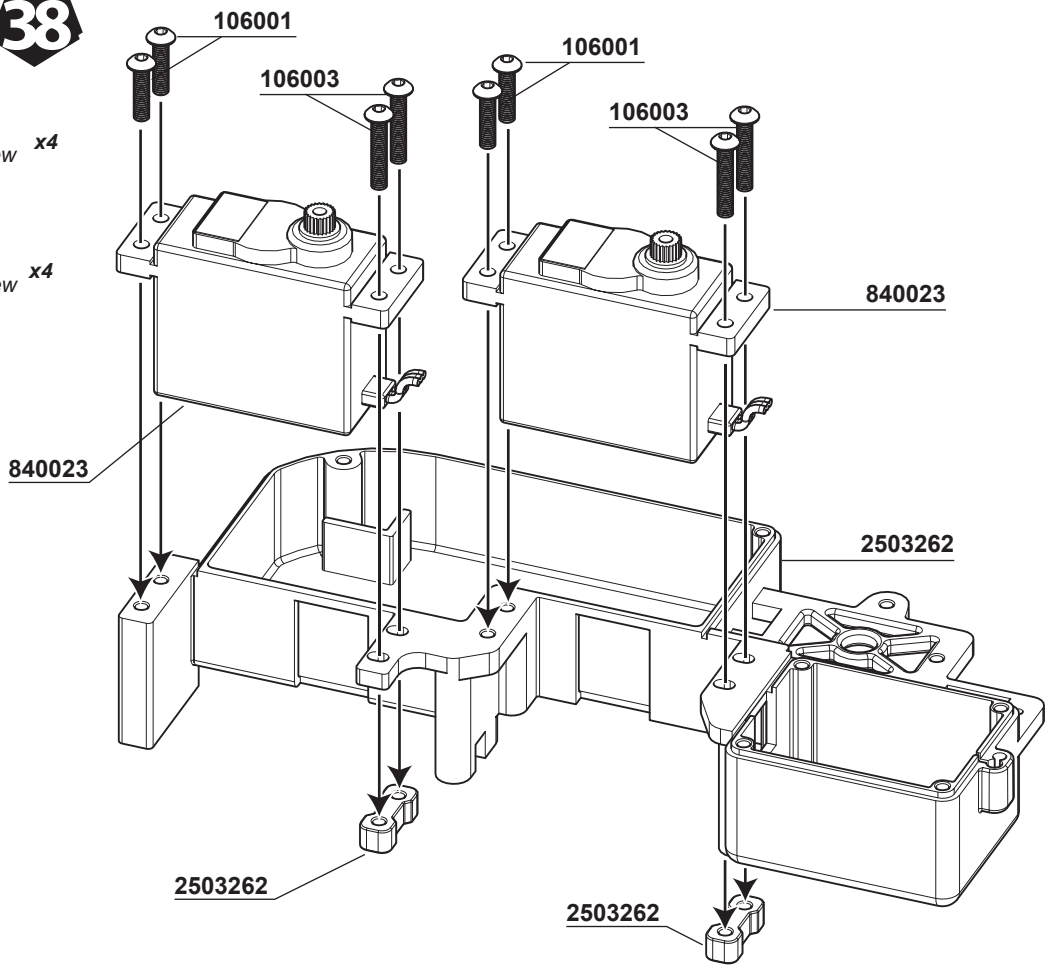
**38**



**106001**  
M3x8mm Hex Socket OH/TP Screw x4



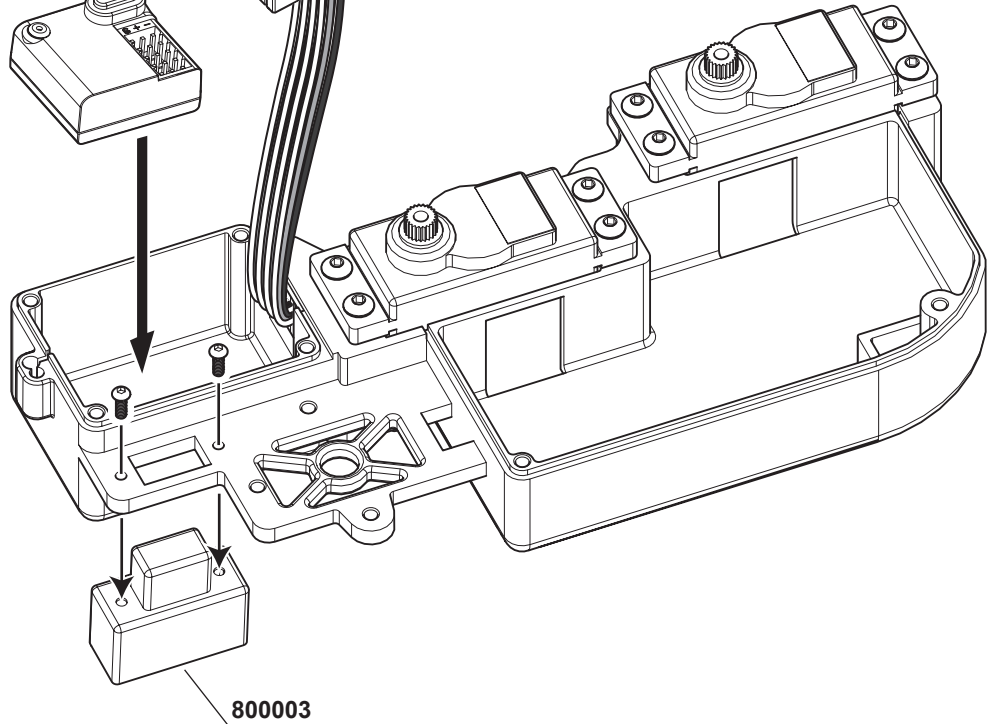
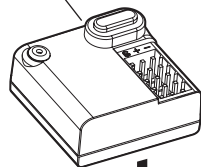
**106005**  
M3x15mm Hex Scket OH/TP Screw x4



**BAG G**

**39**

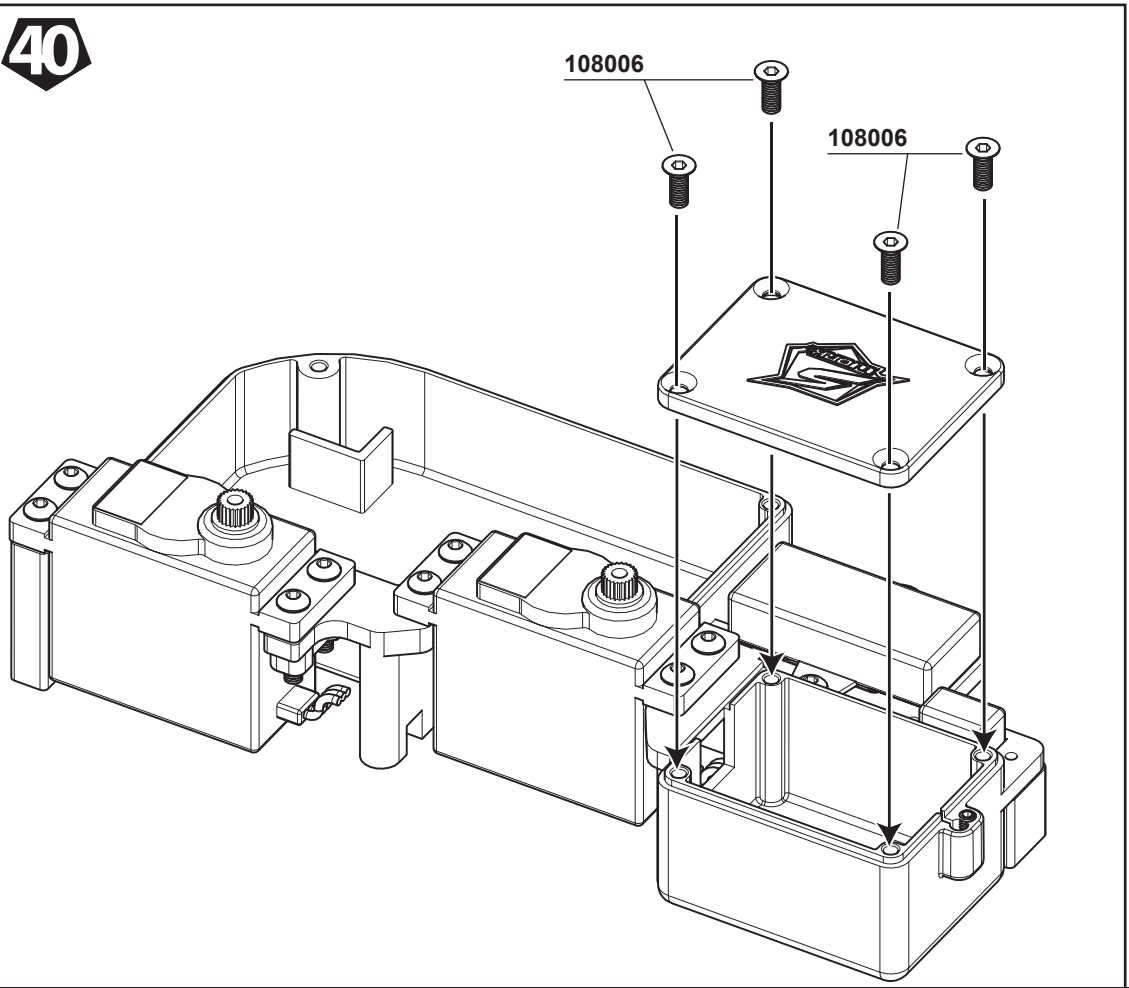
**840025**



40



108006  
M3x8mm FH/ST HEX Screw x4

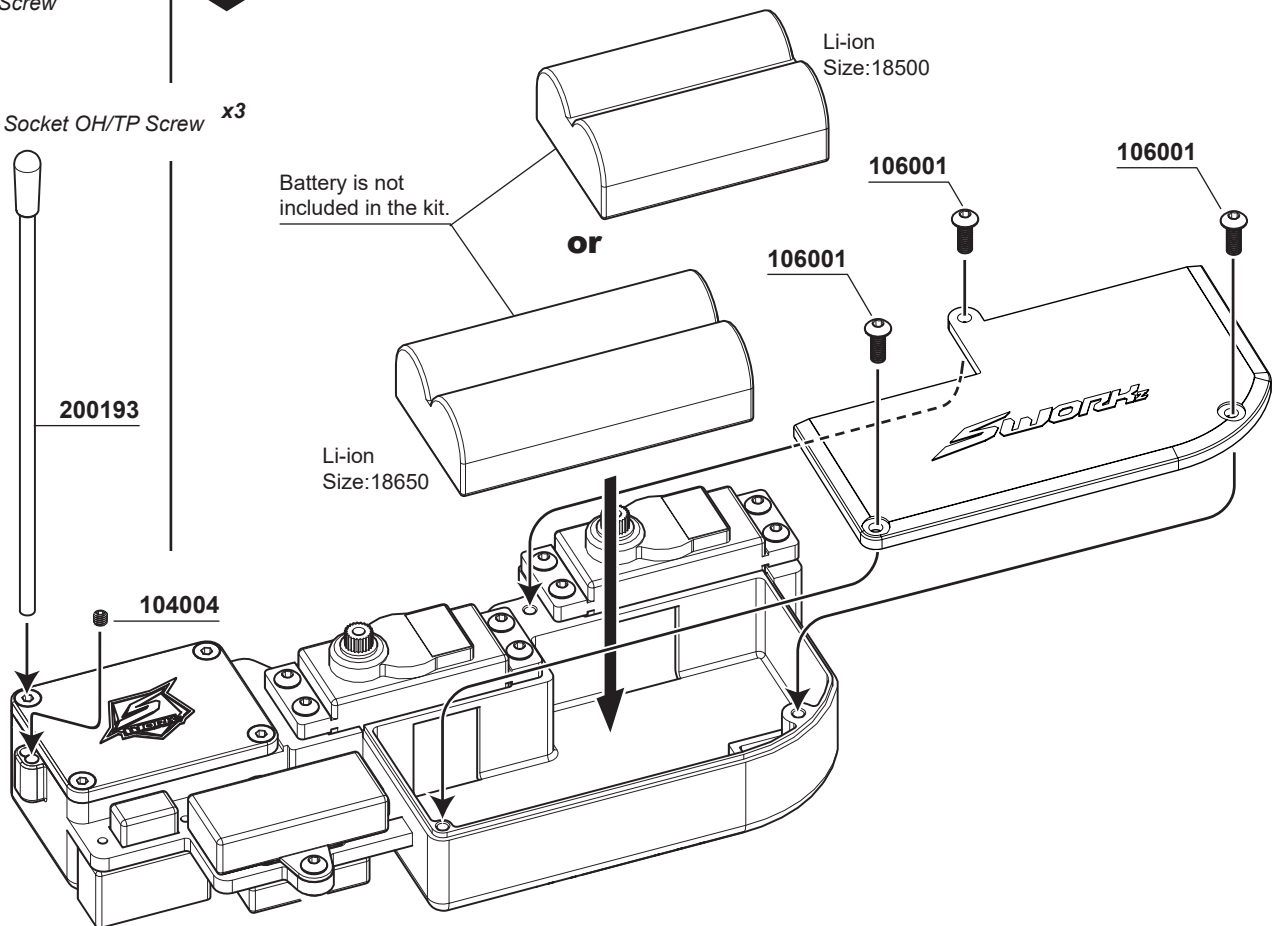


104004  
M3x3mm Set Screw x1



106001  
M3x8mm Hex Socket OH/TP Screw x3

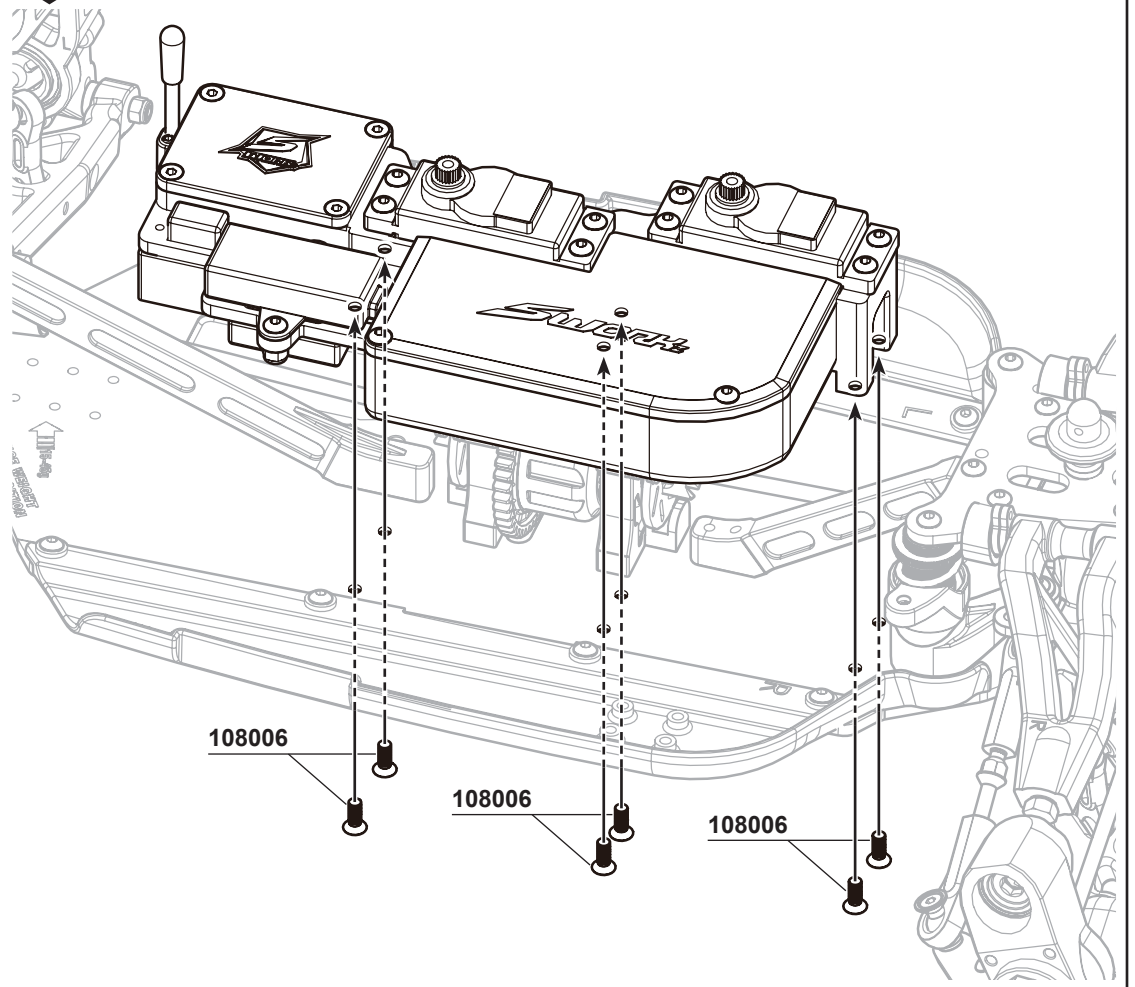
41





**108006**  
M3x8mm FH/ST HEX Screw x6

**42**



**106007**  
M3x12mm Hex Socket OH/TP Screw(HT) x1

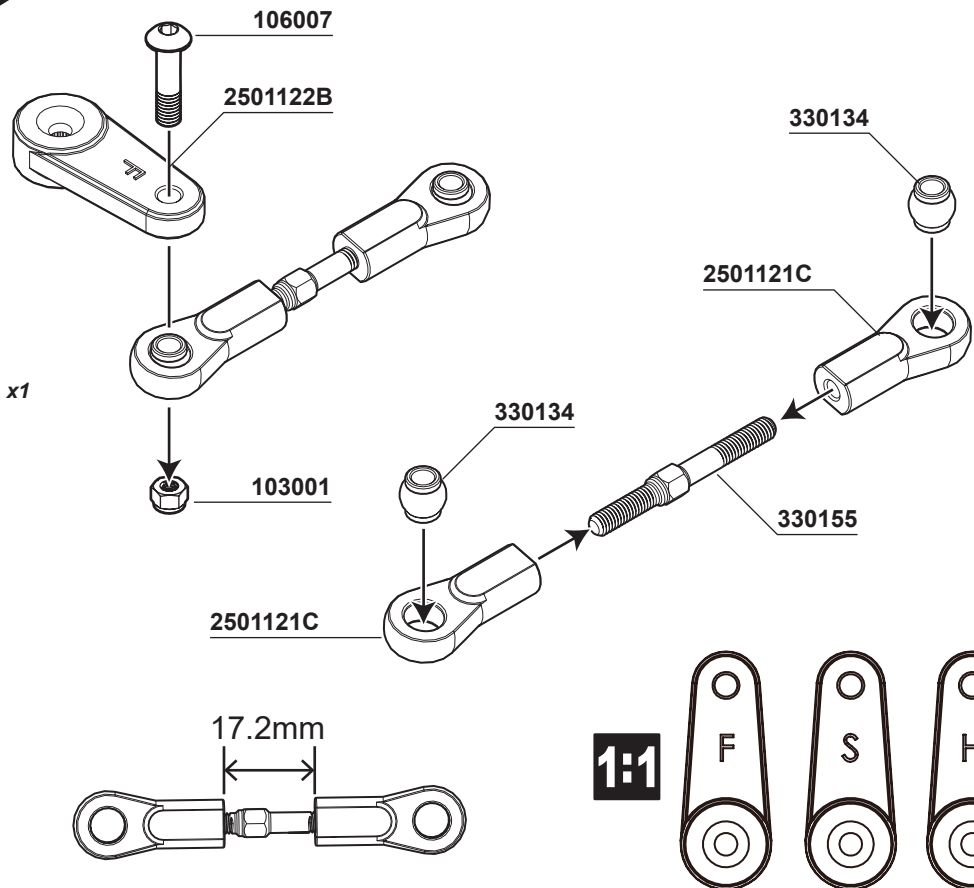


**103001**  
M3 Nut Lock x1



**330155**  
Steering Servo Turnbuckle (M3x30mm) x1

**43**



# BAG M 1 44



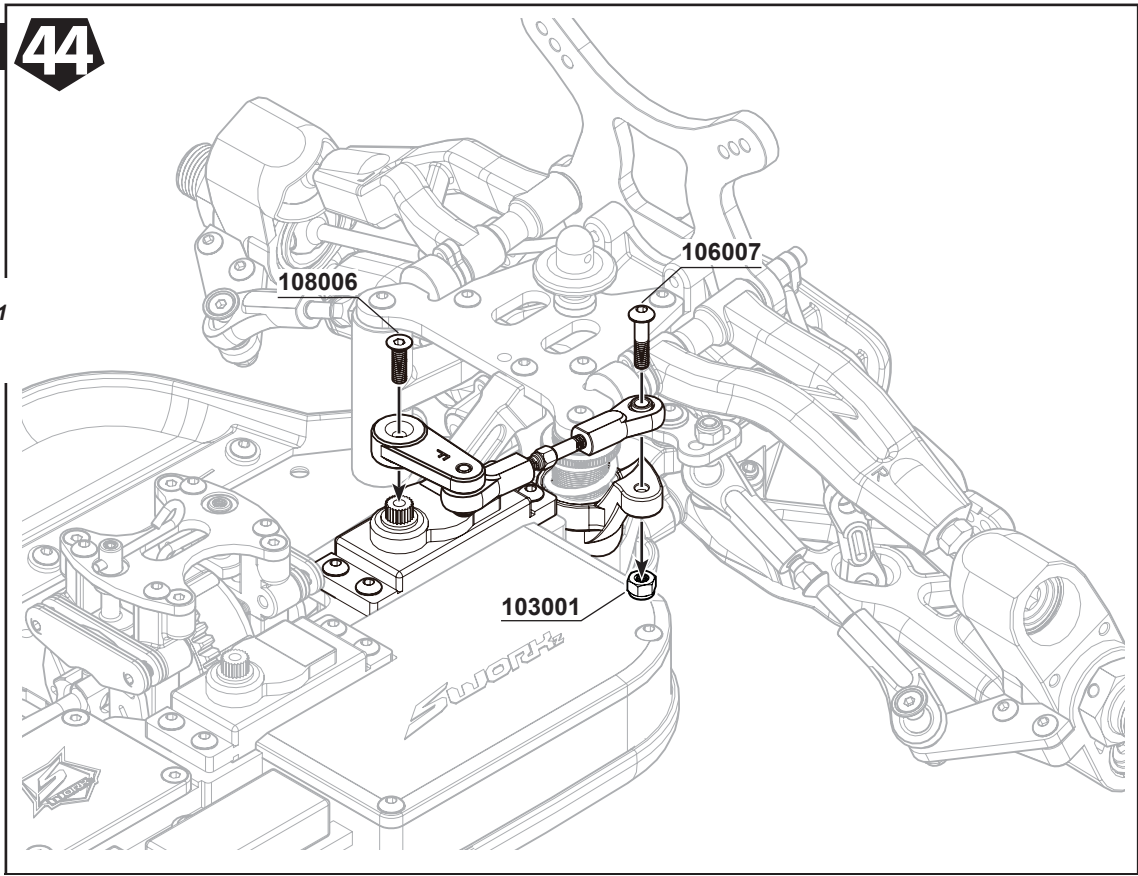
**106007**  
M3x12mm Hex Socket OH/TP Screw (HT) x1



**108006**  
M3x8mm FH/ST HEX Screw x1



**103001**  
M3 Nut Lock x1



# BAG G 45



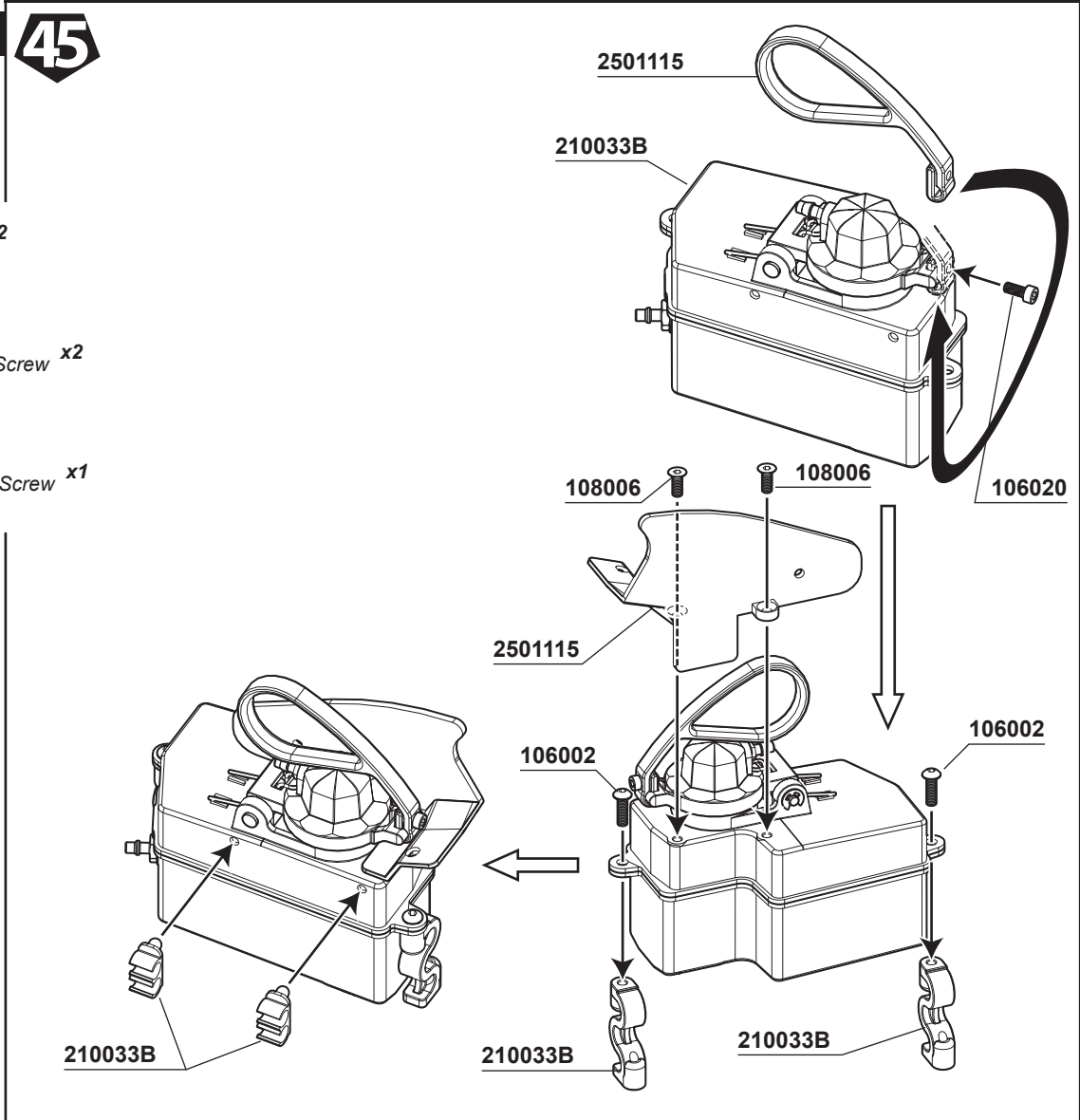
**108006**  
M3x8mm FH/ST HEX Screw x2



**106002**  
M3x10mm Hex Socket OH/TP Screw x2



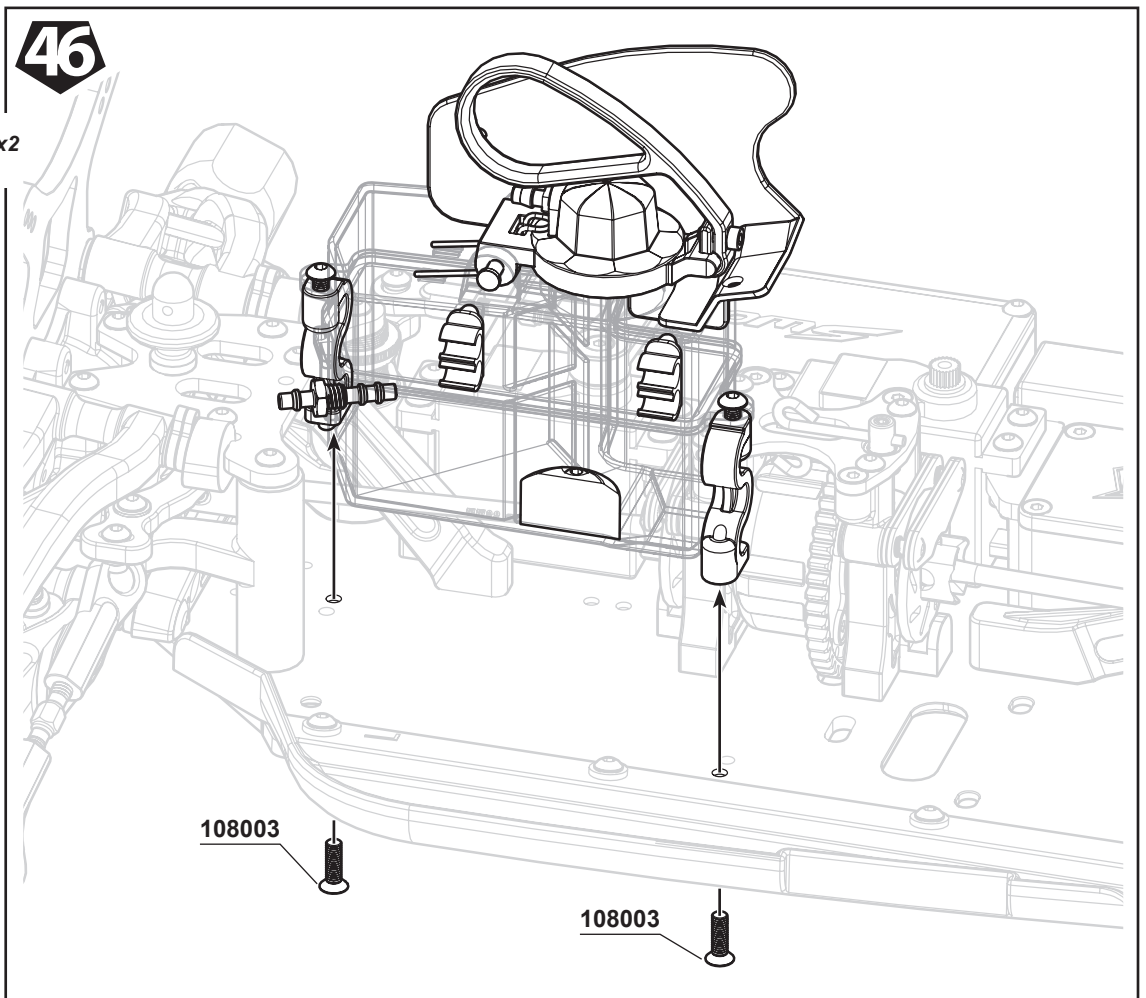
**106020**  
M2.5x5mm Hex Socket OH/TP Screw x1



**46**



**108003**  
M3x10mm FH/ST HEX Screw x2



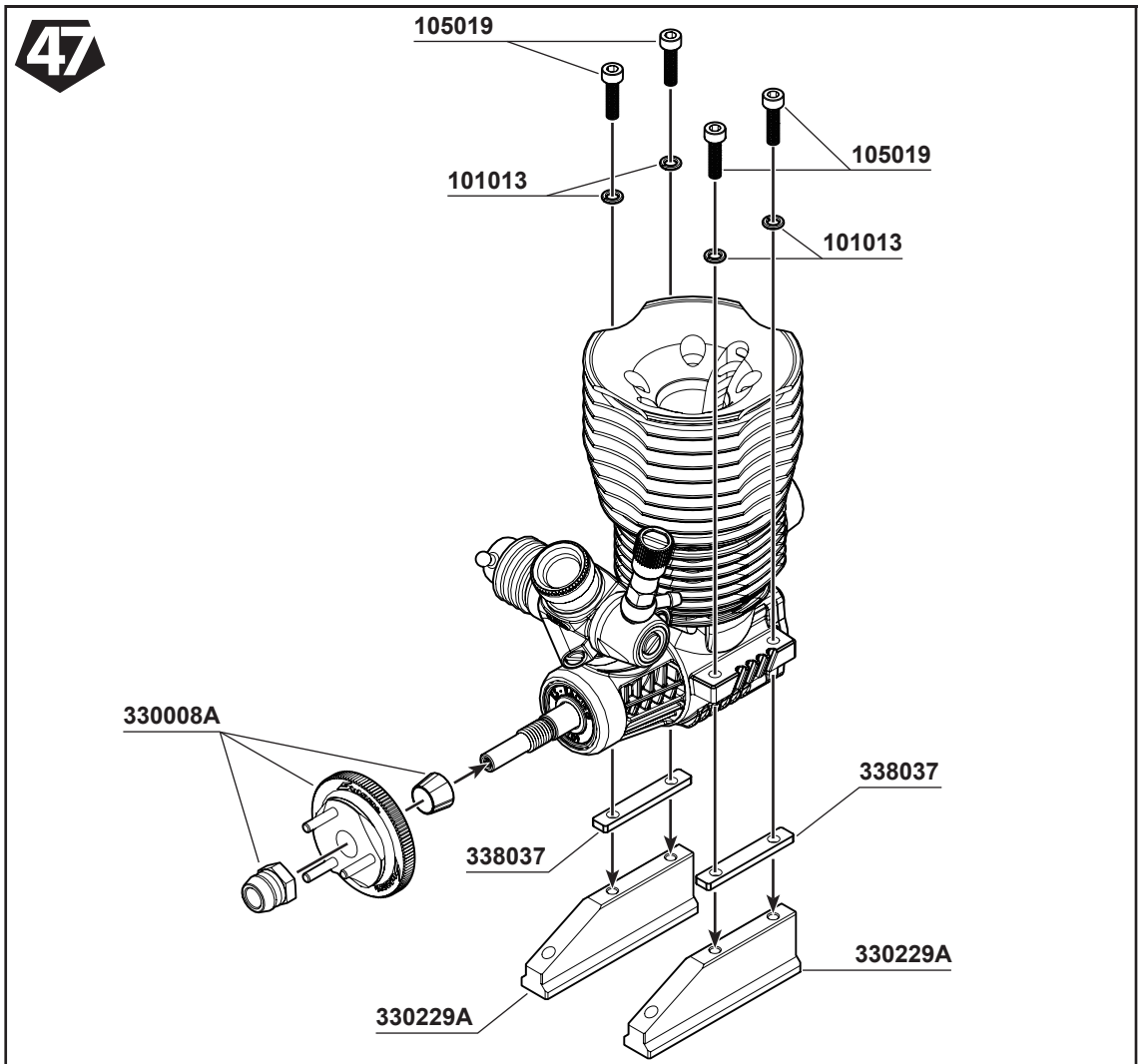
**47**



**105019**  
M3x14mm Cap Screw x4



**101013**  
3mm Spring Washer x4





**105001**  
M3x8mm Cap Screw x1



**101021**  
M3x8xT0.8mm x1

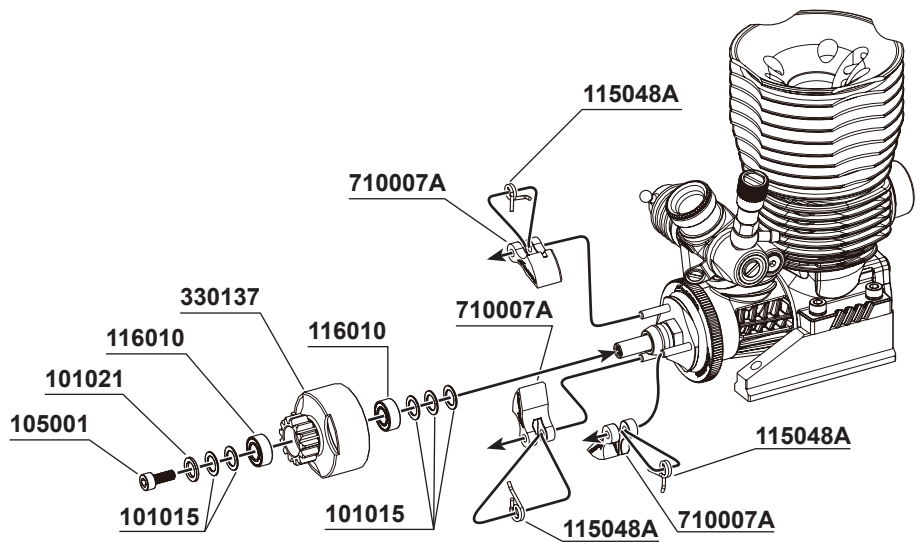


**101015**  
M5x8xT0.4mm x5



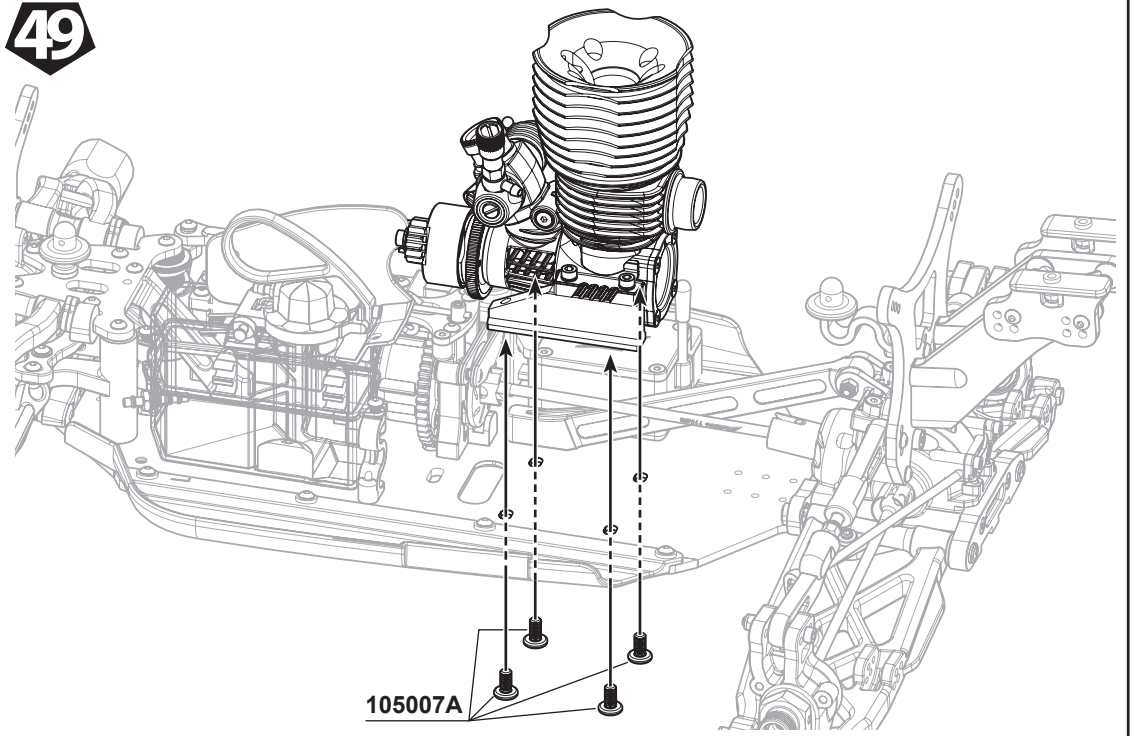
**116010**  
Ball Bearing 5x10x4mm x2

**48**



**105007A**  
M4x8mm I-Head Screw x4

**49**

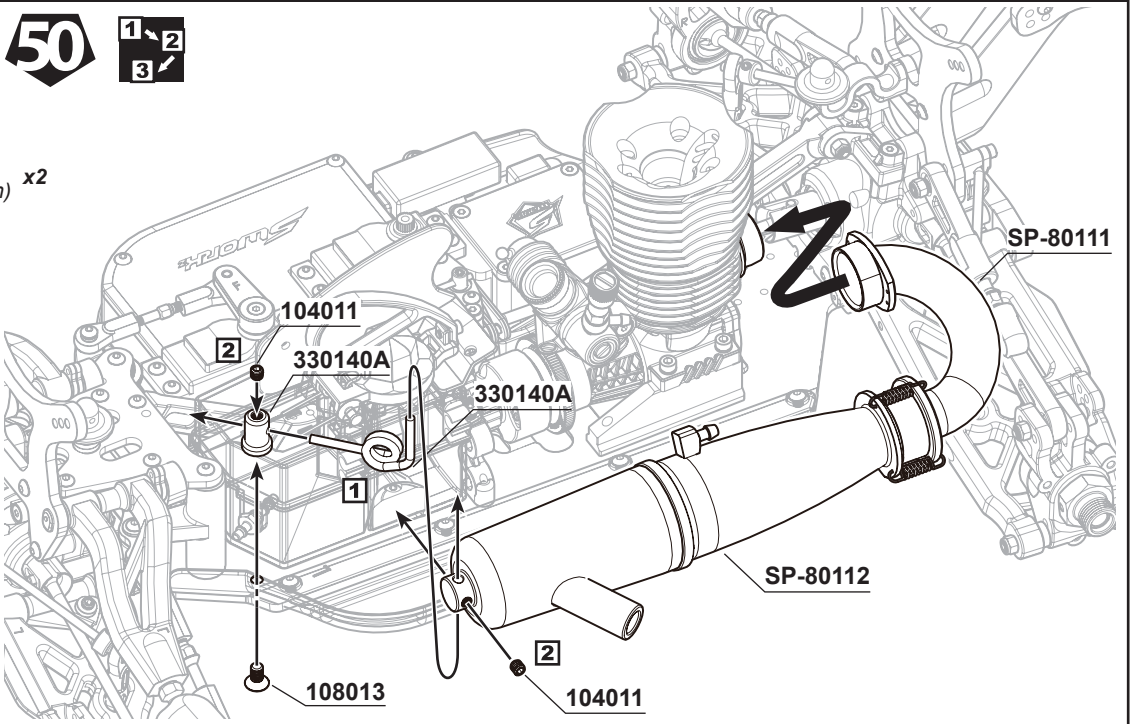


**104011**  
M4x4mm Set Screw (Flat Bottom) x2



**108013**  
M4x8mm FH/ST HEX Screw x1

**50**

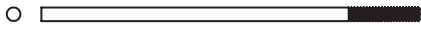


## 51

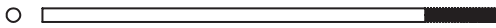
104004  
M3x3mm Set Screw x6



106007  
M3x12mm Hex Socket OH/TP Screw(HT) x1



210018  
Throttle Rod 50mm x1



210018  
Throttle Rod 60mm x2



330157A  
Brake Adjuster Knob x2



106020  
M2.5x5mm Hex Socket OH/TP Screw x3



108006  
M3x8mm FH/ST HEX Screw x1



330156A  
Adjuster Knob x4

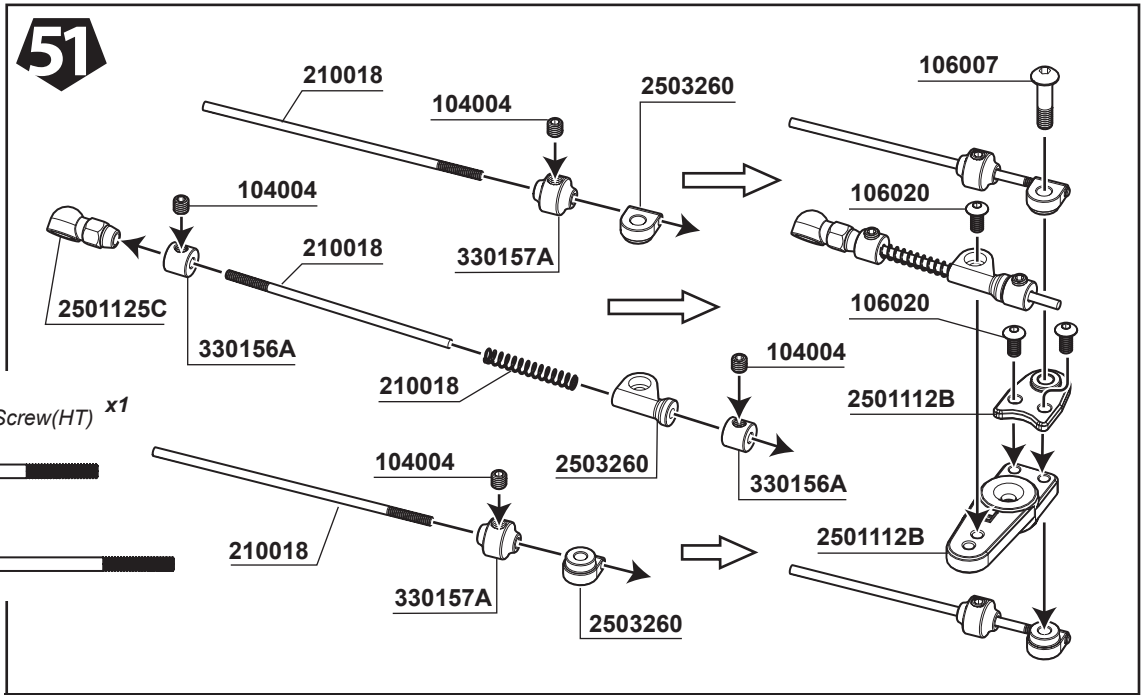
115015  
Brake Spring x2



210018  
Throttle Rod Spring x1



103001  
M3 Nut Lock x1



## 52

104004

330156A

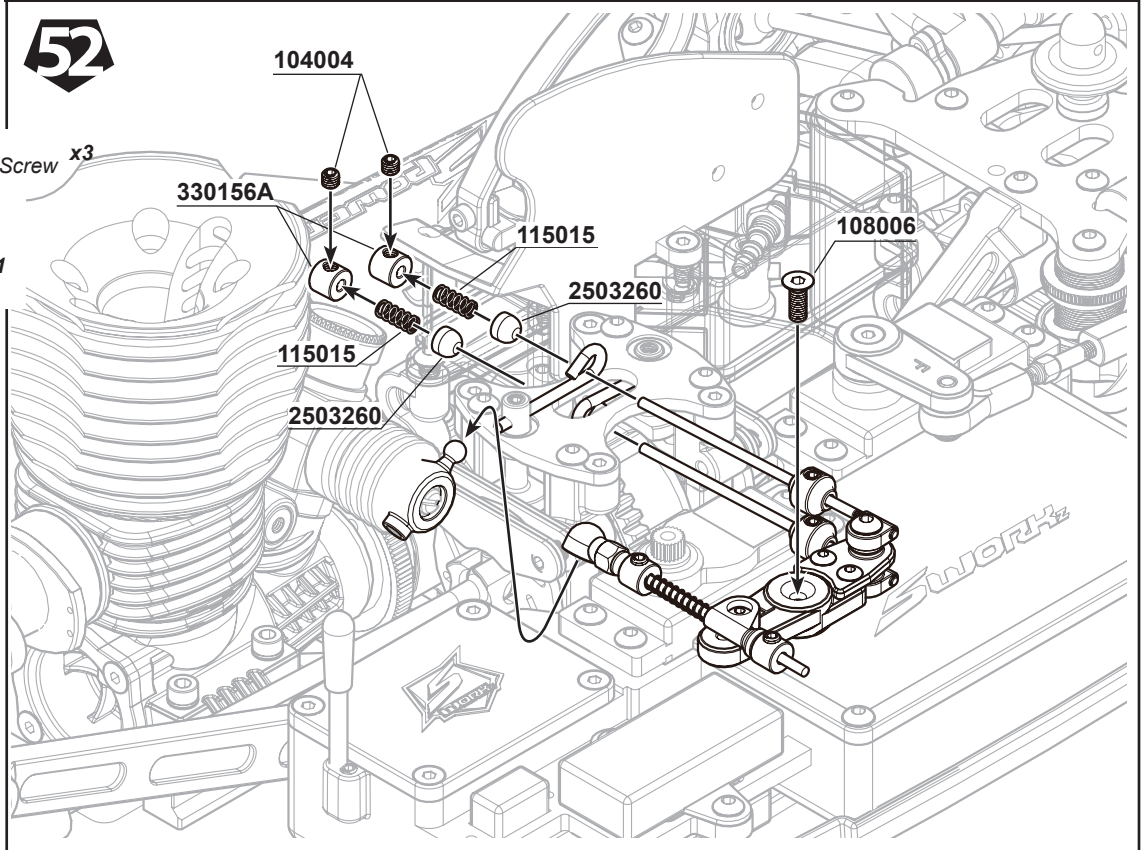
115015

115015

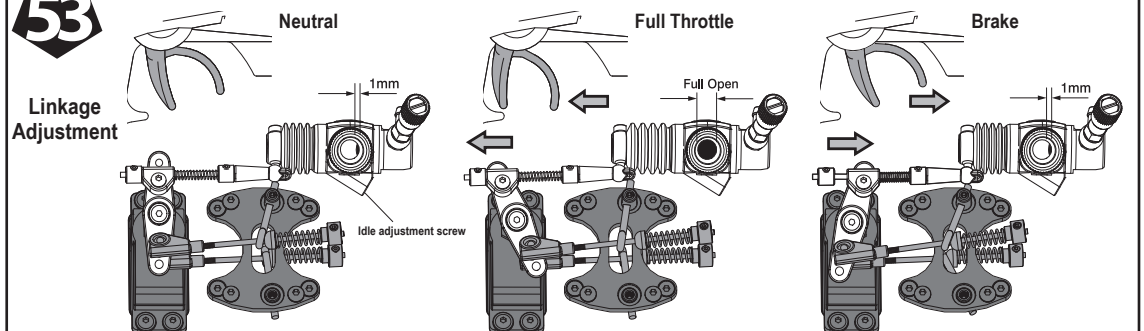
2503260

2503260

108006



## 53

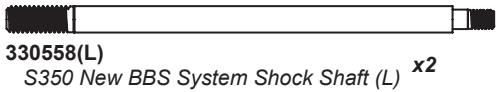


※ Turn on the transmitter and receiver. Set the throttle servo trim in neutral. Adjust the idle adjustment screw to make the carburettor opening no more than 1mm. Adjust the position of servo horn. Check that it operates smoothly without making the operation of the other parts difficult. Make sure the brake does not work in this setting.

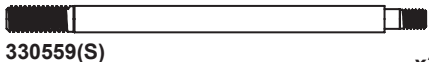
※ Adjust the servo horn to fully open the carburettor. Change the position of servo horn if the carburettor is not fully open or opens too much. If your transmitter has a function to adjust throttle end points, make an adjustment this way.

※ Adjust the position of servo horn to make the brakes function. Make sure the brakes do not work when the servo trim is in neutral.





330558(L)  
S350 New BBS System Shock Shaft (L) x2



330559(S)  
S350 New BBS System Shock Shaft (S) x2



103004  
M2.5mm Nut Lock x4



210058  
Shock Seal Washer 3.5X7X1.0mm x4



210058  
Shock Seal Washer 3.6X7X2.5mm x8



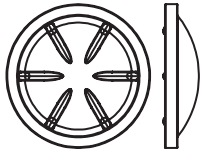
101011  
M2.6x6xT0.6mm x4



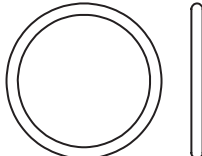
210058  
Shock Seal O-Ring x8



400020  
Shock Seal O-Ring x4



400022-AS  
Shock Bladder (Medium) x4



400019  
Shock Spring Adjust Nut O-Ring x4

Front 330636

Rear 330635

Front 330634

Rear 330633

103004

101011

330562A



400020



210058

210058

210058

330557

2501121C

Front 400010(S)

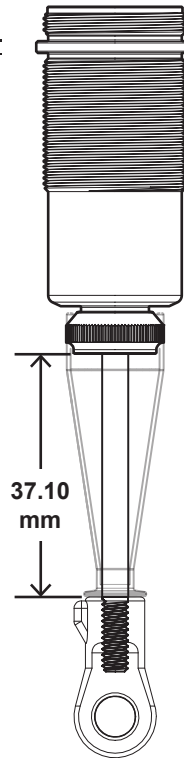
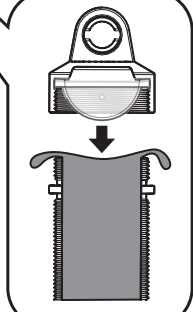
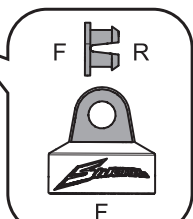
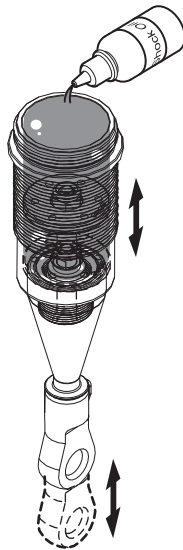
Rear 400009(L)

**54**

330554

2501121D-10

400022-AS



1:1

37.10 mm

48.4 mm

**55**



115168  
S35 Series Black Competition Rear Shock Spring (L2-Dot)(86X1.6X10.75) x2

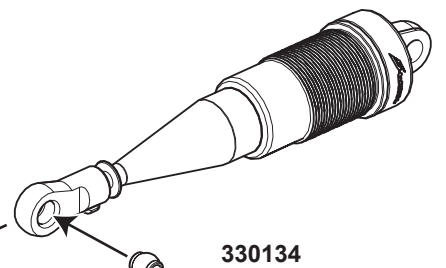


115170  
S35 Series Black Competition Front Shock Spring (S3-Dot)(70X1.6X8.5) x2

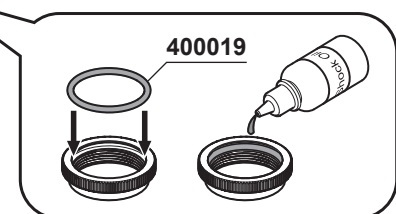


2501121C

330560R



330134



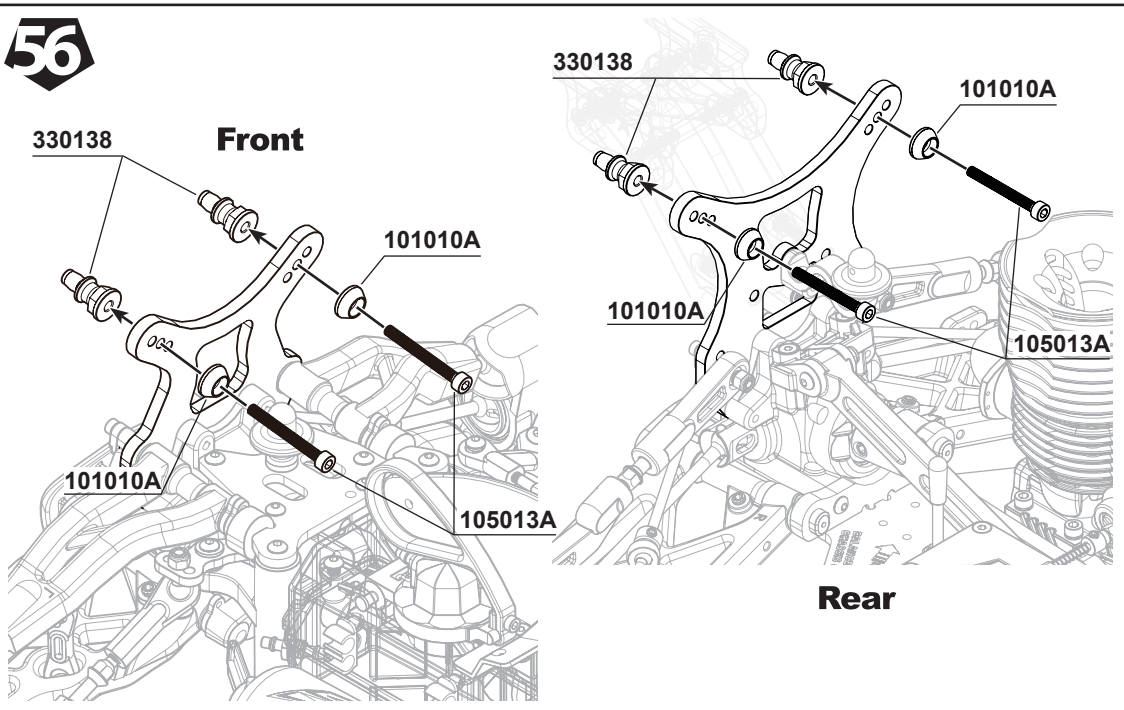
400019

Front 115170

Rear 115168



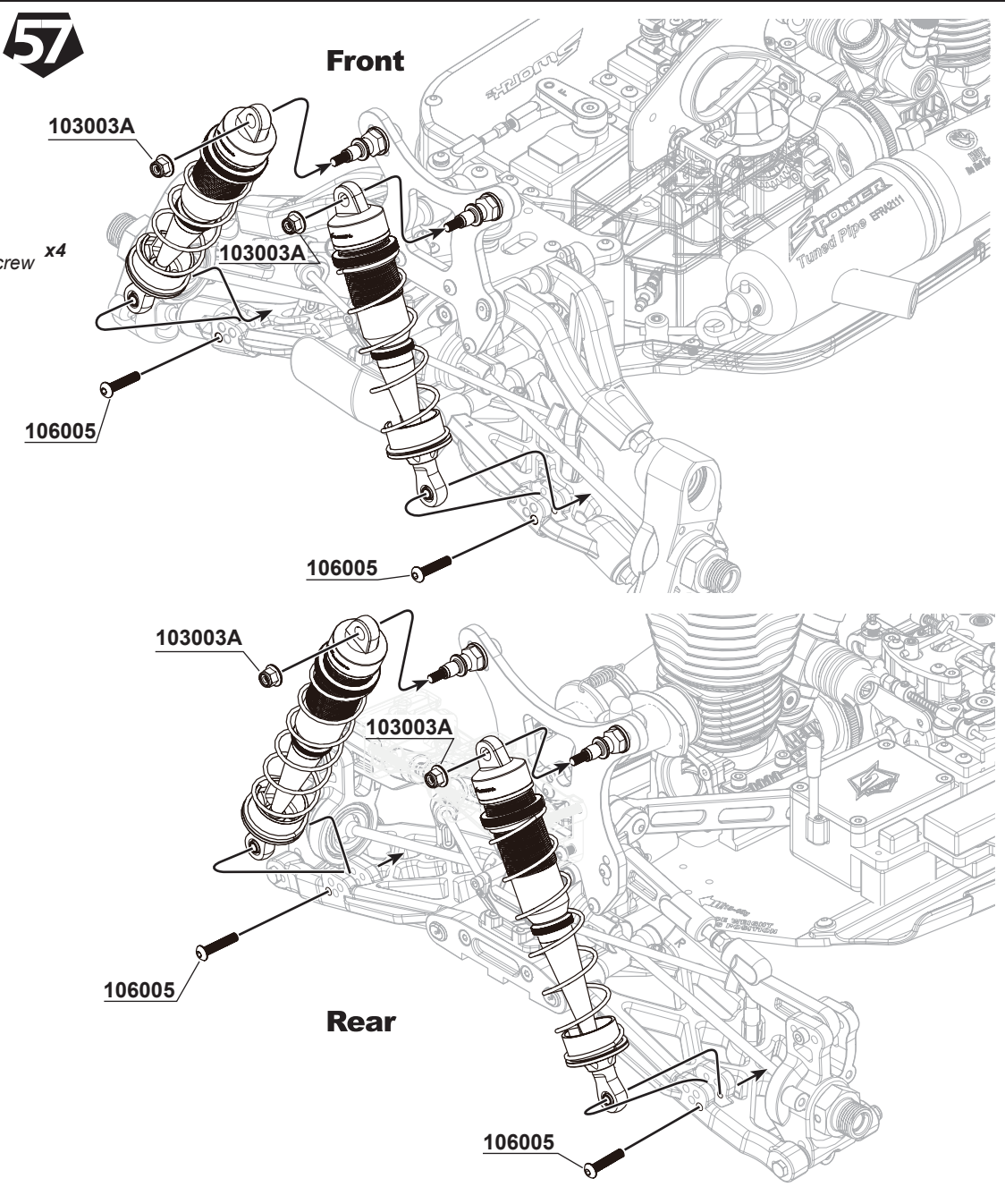
**105013A**  
M3x25mm Cap Screw **x4**



**103003A**  
Flange M3 Nut Lock **x4**



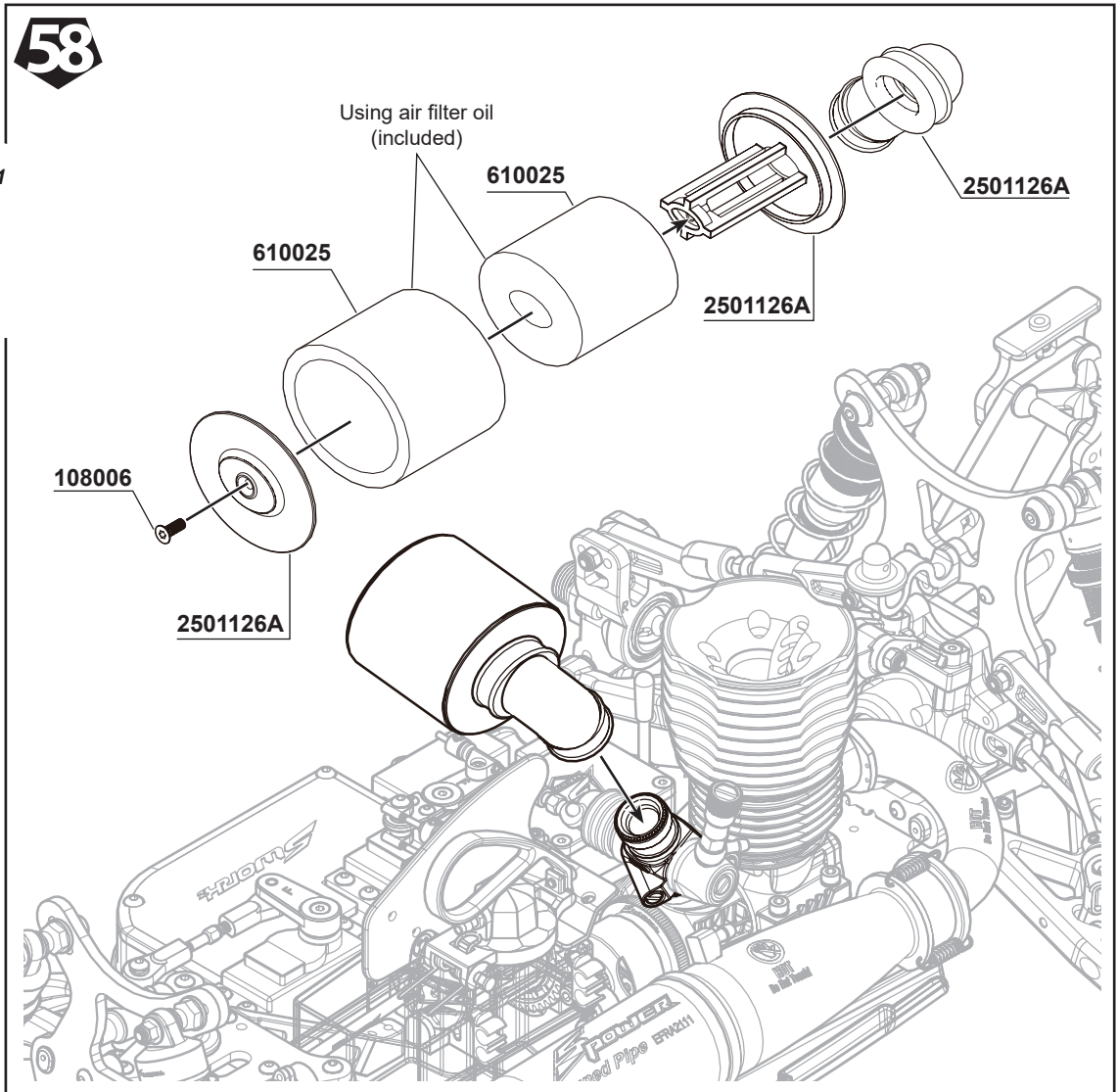
**106005**  
M3x15mm Hex Socket OH/TP Screw **x4**



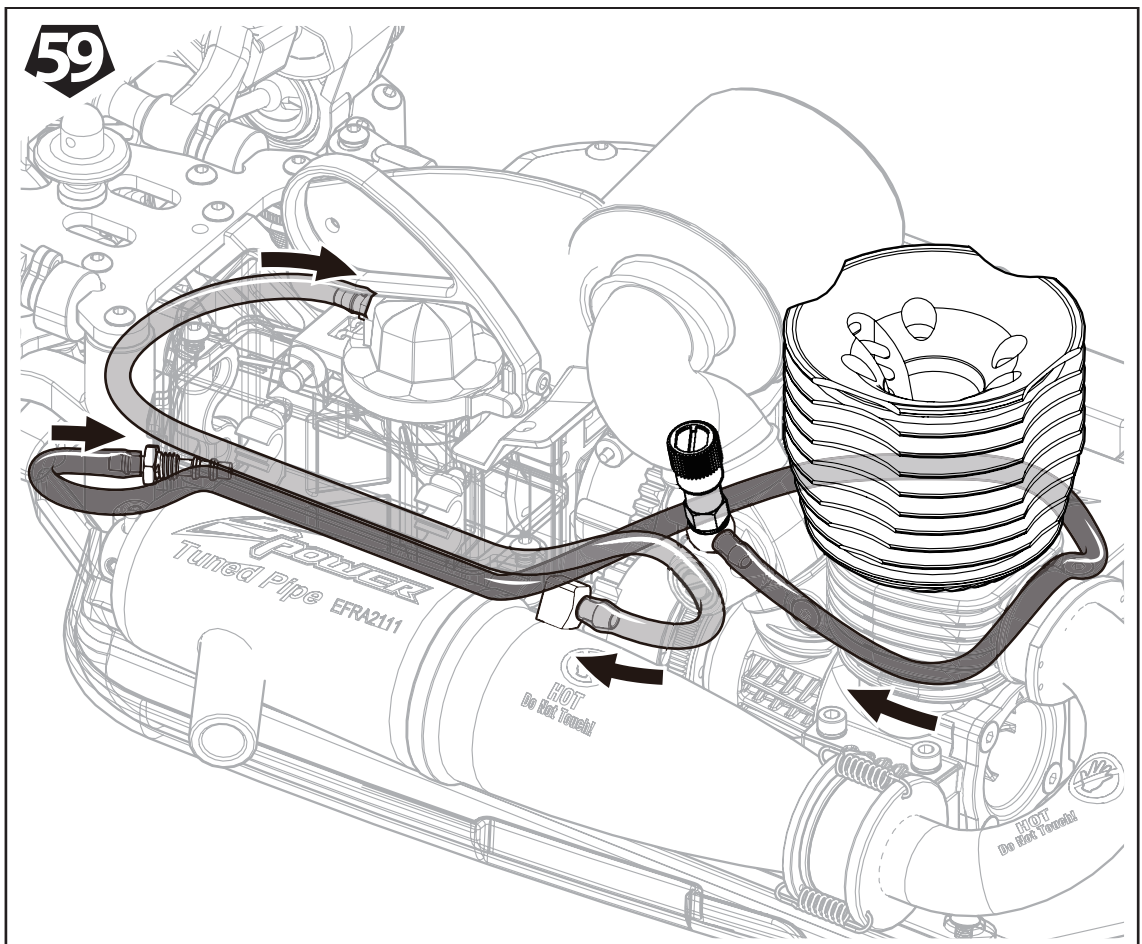
58



108006  
M3x8mm FH/ST HEX Screw x1

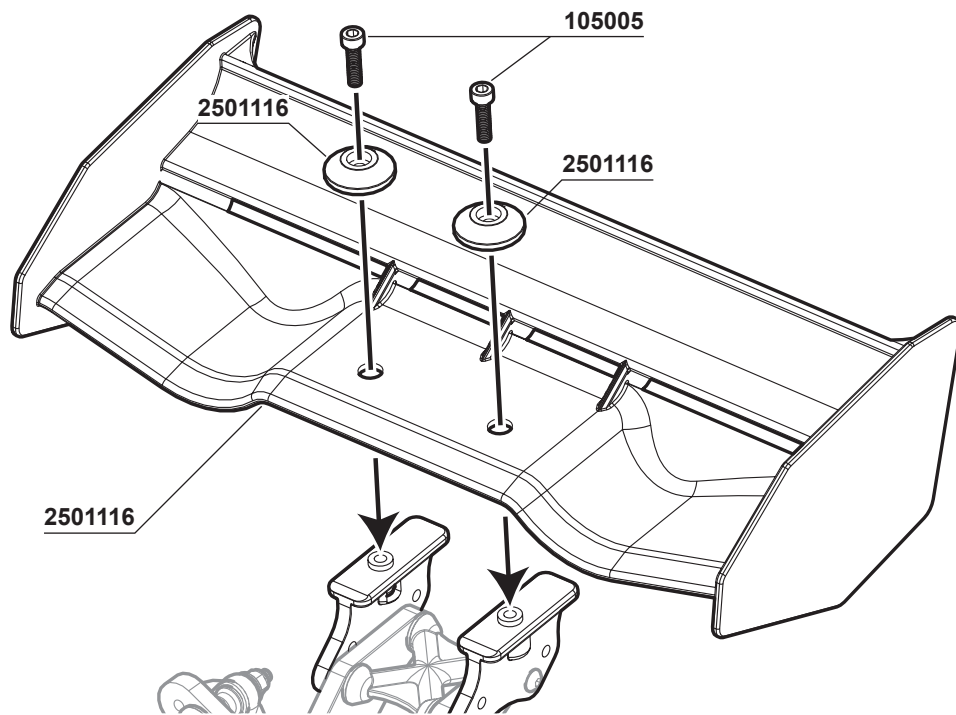


59

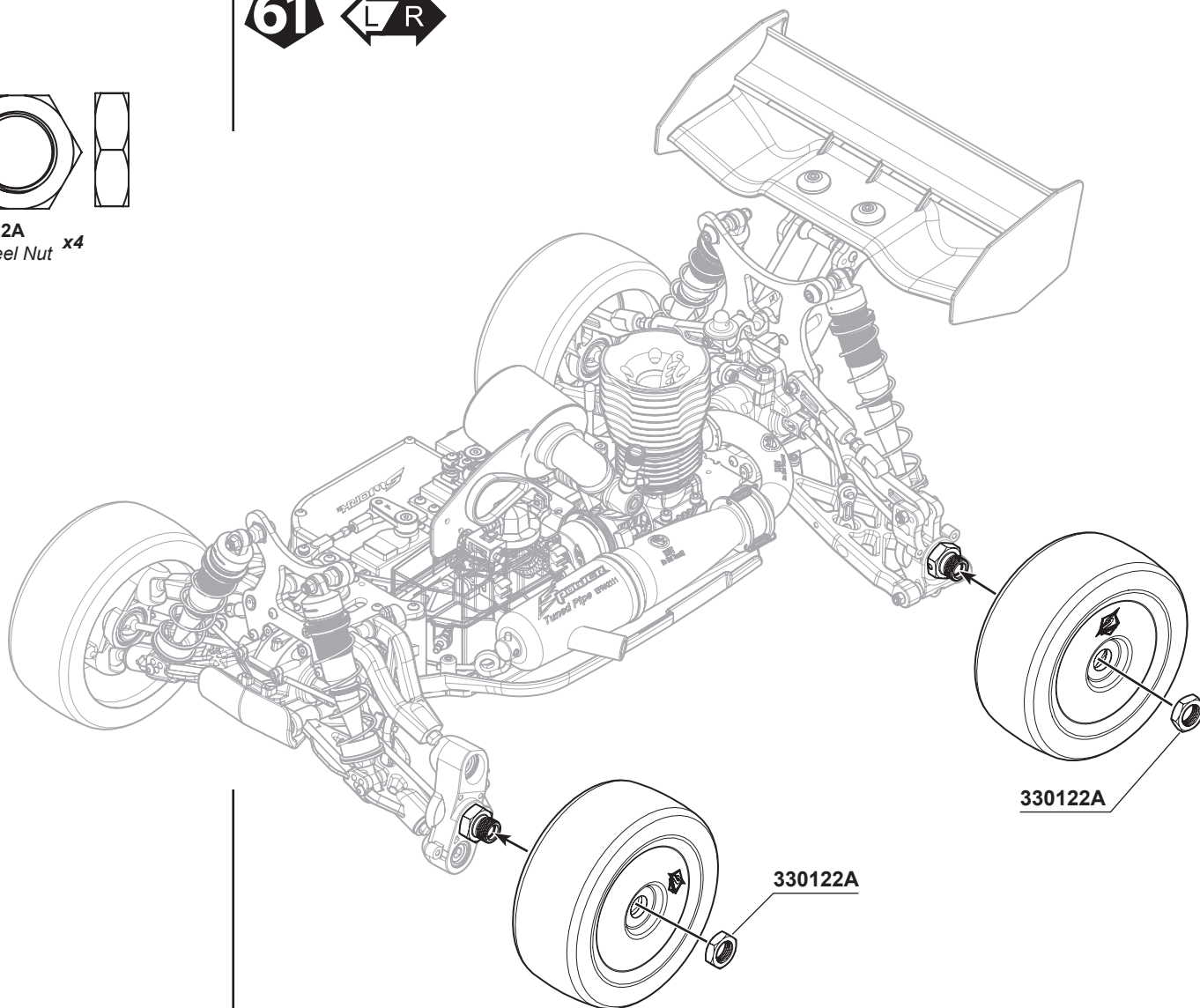




**105005**  
M3x12mm Cap Screw x2

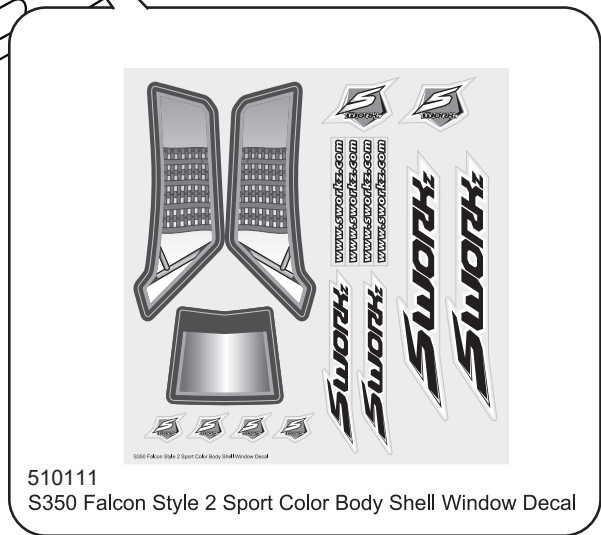
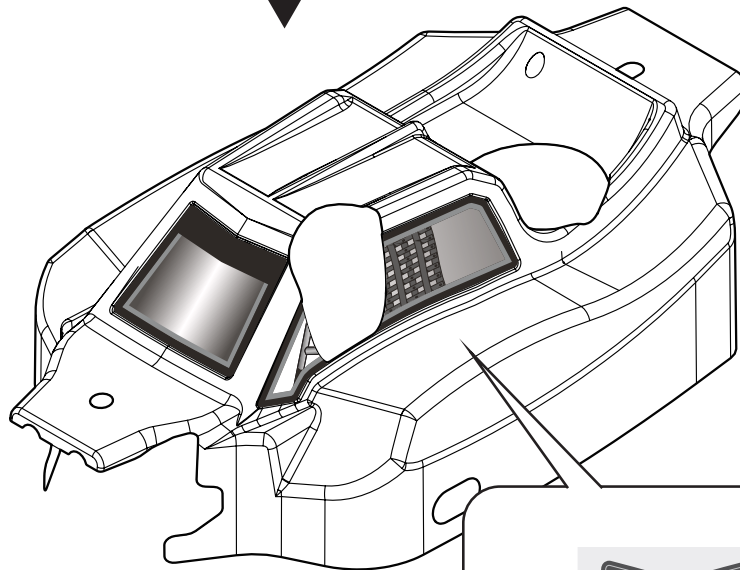
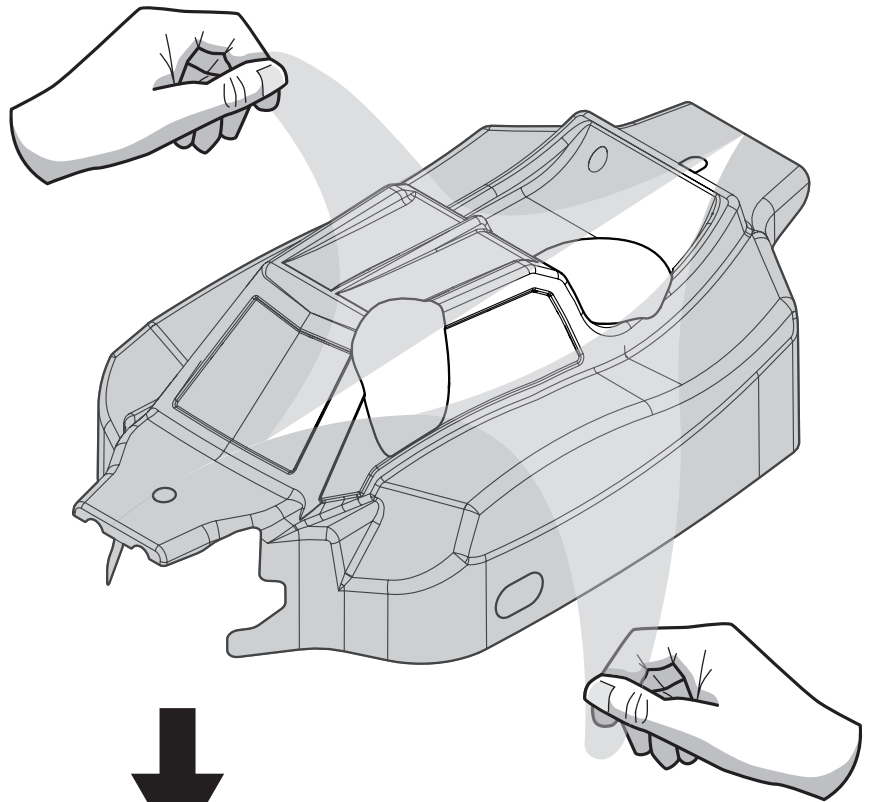


**330122A**  
Wheel Nut x4



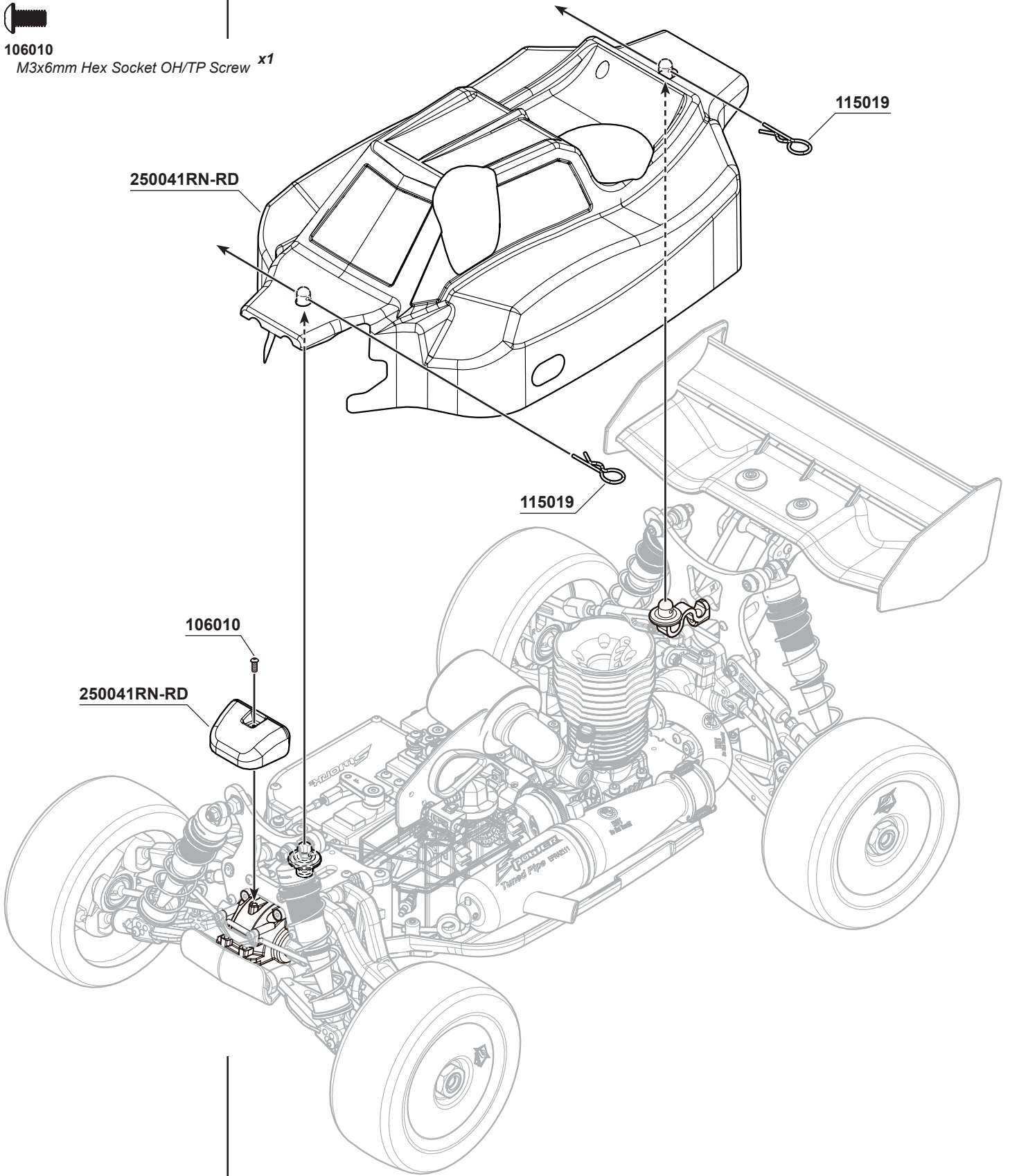
62

Take off thin plastic protective layer from outside of the body shell, then put on the window and logo stickers.





106010  
M3x6mm Hex Socket OH/TP Screw x1



# Parts No. List

Part No.	Part Name	Q'ty in Use	Item No.	Part No.	Part Name	Q'ty in Use	Item No.
210002B	S35/S350 Series Big Bore Diff Case	2	SW-210002B		Throttle Servo Horn (For Futaba)	1	
210079	S35-3 Series Pleastic Center Big Bore Diff Case	1	SW-210079		Throttle Servo Horn (For S&K)	1	
228004A	S35-4 Series Plastic Side Guard Set with Stopper	1	SW-228004A		Throttle Servo Horn (For Hitec)	1	
2501093B	S350 EVO I/II BBS Front Lower Arm (L)	1	SW-2501093B		Brake Servo Horn	1	
	S350 EVO I/II BBS Front Lower Arm (R)	1		2501124	S350 Center Diff. Mount Set	2	SW-2501124
2501094C	S350 Series S35 Competition Rear Lower Arm (R)	1	SW-2501094C	2501125B	S350 Series Fuel Tank Cap Replacement 2.0	2	SW-2501125B
	S350 Series S35 Competition Rear Lower Arm (L)	1		2501126	Ail Filter Set	1	SW-2501126
2501095A	S350 Rear Hub Carrier Set (Also for LDS) (L&R)	1	SW-2501095A	2501529	S350 BX1/BR1 Rear Chassis Brace	1	SW-2501529
2501097	Front Bumper	1	SW-2501097	2502036	S350 Series Rear Lower Arm Plate Changable Insert (2/3.5 Degree)	1	SW-2502036
	Wing Stay (L)	1			S350 Series Rear Lower Arm Plate Changable Insert (3 Degree)	4	
	Wing Stay (R)	1			S350 Series Rear Changable Plastic Lower Arm Plate	4	
	Wing Stay Holder	1			S350 Sries Aluminum Front Changable Lower Arm Holder Insert (0-1 Degree)	8	
	Wing Support (L)	1		2501667-5	BK1 EVO Setting Bellcrank Upper (R)	1	SW-2501667
	Wing Support (R)	1		2503262	S35-3 Nitro Buggy Radio Tray Set	1	SW-2503262
	Rear Body Mount	1		200193	Antenna Tube	1	SW-200193
	Front Body Mount	1		210018	Throttl Linkage Set	3	SW-210018
2501098A	S350 Front Steering Knuckle Set (Also for LDS) L	1	SW-2501098A	210033B	S35/350 Series Floating Fuel Filter System Tank Set	1	SW-210033
	S350 Front Steering Knuckle Set (Also for LDS) R	1		210034A	S350 Long Pitch Shock Spring Set (1.4mm x P16)(BK/OR)	4	SW-210034
2501099	R/F Insert (1 degree)	4	SW-2501099	210043B	1/8 Nitro Buggy Series Pro Matel Brake Calipers A Side (SL)	2	SW-210043B
	R/F Insert (0 degree)	4		210043B	1/8 Nitro Buggy Series Pro Matel Brake Calipers B Side (SL)	2	SW-210043B
	F/F Insert (1 degree)	4		210058	S350 New BBS System Shock Seal Washer 3.6X7X2.5mm	8	SW-210058
	F/Up Insert (1 degree)	8		210058	S350 New BBS System Shock Seal Washer 3.5X7X1.0mm	4	SW-210058
	Brake Linkage Holder	4		250041RN-FO	S350 Falcon II Pre-painted and Pre-Cut Body Shell (For Nitro Buggy)(FO)	1	SW-250041RN-FO
	Throttle Linkage Holder	2		300017	Brake Disc	2	SW-300017
	Throttle Linkage Holder (Done)	2		320003	Diff. Bevel Gear 18T	6	SW-320003
	Throttle Linkage Holder (Up)	2		320004	Diff. Bevel Gear 10T	12	SW-320004
2501100	Pivot Ball Cup	8	SW-2501100	330006	Tornado Clutch Shoes	3	SW-330006
	Lower Arm Insert (1mm)	4		330008A	SWORKz Tornado Fly Wheel Set (GM)	1	SW-330008A
	Lower Arm Insert (1mm)	12		330008A	Tornado Fly Wheel Center Nut	1	SW-330008A
	Rear Wheel Axle Insert (1mm)	8		330008A	Fly Wheel Collect	1	SW-330008A
	Rear Wheel Axle Insert (2mm)	4		330013	Bevel Gear Shaft	6	SW-330013
2501113	Front Upper Arm (L)	1	SW-2501113	330014A	S35 Series Front/Rear Diff. Outdrive	4	SW-330014A
	Front Upper Arm (R)	1		330015	Pin M2.2x9.9mm	6	SW-330015
2501114	Gear Box (F)	2	SW-2501114	330017	Center Diff. Outdrive	2	SW-330017
	Gear Box (R)	2		330103	Front/Rear Lower Arm HingPin	4	SW-330103
	S-Way Bar Holder	2		330104	Brake Cam (S)	1	SW-330104
	Brake Holder	2		330104	Brake Cam (L)	1	SW-330104
	Brake Cam Insert	2		330104	Brake Cam	1	SW-330104
	Rear Shock Tower Insert	1		330109	F/R Drive Shaft 93.5mm	4	SW-330109
2501115	S350 Rear Lower Arm Dusty Cover with Fuel Sprinkle Guard	1	SW-2501115	330110	CVD Join	6	SW-330110
2501116	S-WORKz High Done Force Wing	1	SW-2501116	330111	Pin M2.5x14.8mm	6	SW-330111
	Wing Holder	2		330112	CVD Axle	4	SW-330112
2501121C	Rear Upper Arm Ball End (For Wheel Side)	2	SW-2501121C	330113	Servo Saver Shaft	2	SW-330113
	Rear Upper Arm Ball End	2		330114A	S350 Sseries Servo Saver Post (HC)	1	SW-330114A
	Steering Ball End	2		330117A	S350 Series Knuckle Pivot Ball Washer (GM)	2	SW-330117A
	Steering Ball End (For Wheel Side)	2		330118A	S350 Series Knuckle Pivot Ball Nut (GM)	4	SW-330118A
	Shock Cap Insert	4		330119	Front Upper Arm HingPin	2	SW-330119
	Shock Ball End	4		330121A	S350 Wheel Hub (HC)	4	SW-330121A
	Shock Spring Holder	4		330122A	S350 Wheel Nut (HC)	4	SW-330122A
	Sway Bar Linkage	4		330123A	S350 EVO Rear Upper Sus. Arm Turnbuckles M5x38mm	2	SW-330123A
	Steering Linkage Ball End	2		330124	Pin M3.0x16.8mm	4	SW-330124
	Throttle Linkage Ball End	1		330125	Rear Upper Sus. Arm Ball Stud	2	SW-330125
2501122B	Setting Bellcrank Upper (R)	1	SW-2501122B	330126A	S350 EVO Steering Turnbuckle M4x40mm	2	SW-330126A
	Setting Bellcrank (R)	1		330134	Shock Ball Stud	12	SW-330134
	Setting Bellcrank (L)	1		330135A	Servo Saver Nut(GM)	1	SW-330114A
	Rear Chassis Brace Mount	1		330136	Sway Bar Ball Stud	4	SW-330136
	Steering Servo Horn (For Futaba)	1		330137	Clutch Bell 13T	1	SW-330137
	Steering Servo Horn (For S&K)	1		330138	Shock Cap Stud	4	SW-330138
	Steering Servo Horn (For Hitec)	1		330140A	Pipe Holder(GM)	1	SW-330140A
	Servo Mount	2		330155	Steering Servo Turnbuckle (M3x30mm)	2	SW-330155

## Parts No. List

Part No.	Part Name	Q'ty in Use	Item No.	Part No.	Part Name	Q'ty in Use	Item No.
330156A	Adjuster Knob(GM)	4	SW-330156A	115048A	1/8 Spoort Clutch Spring (1.1mm)(SL)	3	SW-115048A
330156A	Brake Adjuster Knob(GM)	2	SW-330156A	115168	S35 Series Black Competition Rear Shock Spring (L2-Dot)(86X1.6X10.75)	2	SWC-115168
330160	S-System Pinion Gear 13T	2	SW-330160	115170	S35 Series Black Competition Front Shock Spring (S3-Dot)(70X1.6X8.5)	2	SWC-115170
330164	Crown Gear 43T	2	SW-330164	108012	M4x16mm FH/ST HEX Screw	8	SW-108012
330227	S350 BX1/BR1 Center Drive Join	2	SW-330227	108011	M4x12mm FH/ST HEX Screw	4	SW-108011
330229A	S350 Sport/Apollo Series Nitro Buggy Engine Mount For Sport Engine(L/R)(GM)	2	SW-330229A	108010	M4x10mm FH/ST HEX Screw	2	SW-108010
330241	BE1 Center Supar Gear Mount	1	SW-330241	108008	M3x35mm FH/ST HEX Screw	4	SW-108008
330251	S350 BX1/BR1 Steering Plate Bushing	2	SW-330251	108006	M3x8mm FH/ST HEX Screw	22	SW-108006
330252	S350 BX1/BR1 Steering Knuckle Pivot Ball Turnbuckle	4	SW-330252	108003	M3x10mm FH/ST HEX Screw	26	SW-108003
210043	S350 Professional Matel Brake Calipers 2.0 A Side	2	SW-210043	108001	M3x12mm FH/ST HEX Screw	12	SW-108001
210043	S350 Professional Matel Brake Calipers 2.0 B Side	2	SW-210043	106021A	S35 Series M4x10mm Hex Soket OH/TP Set Screw	4	SW-106021A
330554	S350 New BBS System Shock Cap (GM)	4	SW-330554	106010	M3x6mm Hex Soket OH/TP Screw	12	SW-106010
330557	S350 New BBS System Shock Seal Cap (GM)	4	SW-330557	106009	M3x25mm Hex Soket OH/TP Screw	4	SW-106009
330560R	S35 BBS System Shock Spring Adjust Nut (RD)	4	SW-330560R	106008	M3x12mm Hex Soket OH/TP Screw	9	SW-106008
330562A	S350 New BBS System Shock Piston 1.3mmX6 Holes (BK)	4	SW-330562A	106007	M3x12mm Hex Soket OH/TP Screw(HT)	7	SW-106007
330633	S350 BBS System +5.6mm Shock Body L (HD)	2	SW-330633	106006	M3x20mm Hex Soket OH/TP Screw	3	SW-106006
330634	S350 BBS System +5mm Shock Body S (HD)	2	SW-330634	106005	M3x15mm Hex Soket OH/TP Screw	8	SW-106005
330635	S350 New BBS System +5.5mm Shock Shaft (L)	2	SW-330635	106003	M3x16mm Hex Soket OH/TP Screw	4	SW-106003
330636	S350 New BBS System +1.3mm Shock Shaft (S)	2	SW-330636	106002	M3x10mm Hex Soket OH/TP Screw	16	SW-106002
330647	S350 BBD Special Brake Cam	1	SWC-330647	106001	M3x8mm Hex Soket OH/TP Screw	5	SW-106001
330663A	S35-3 Series Steel R-Center Drive Shaft (115mm)	1	SW-330663	105019	M3x14mm Cap Screw	4	SW-105019
330767A	S35-3 Series Steel F-Center Dive Shaft (88mm)	1	SW-330767	105011	M3x23mm Cap Screw	2	SW-105011
330768	S35-3 Series Center Spur Gear for Plastic Big Bore Diff Case (46T)	1	SW-330768	105007A	M4x8mm I-Head Screw Thin	4	SW-105007A
330777A	S35-4 Series Steering Linkage Ball Stud 7mm (L7)	4	SW-330777A	105006	M3x28mm Cap Screw	4	SW-105006
330782	S35-3 Series Rear Hub Carriers Hinge Pin	2	SW-330782	105005	M3x12mm Cap Screw	2	SW-105005
330813	S35-3E Steering Turnbuckle M4x30mm	1	SW-3308132	105004	M2.6x6mm Cap Screw	4	SW-105004
330828	S350 Sport Buggy Series Aluminum Front Shock Tower	1	SW-330828	104011	M4x4mm Set Screw (Flat Bottom)	1	SW-104011
330829	S350 Series Sport Buggy Series Aluminum Rear Shock Tower	1	SW-330829	104010	M5x4mm Set Screw (Flat Bottom)	6	SW-104010
330830	S350 Sport Buggy Series Aluminum Rear Lower Arm Holder	1	SW-330830	104005	M3x4mm Set Screw	4	SW-104005
330831	S350 Sport Buggy Series Aluminum Front Lower Arm Plate	1	SW-330831	104004	M3x3mm Set Screw	13	SW-104004
338037	S350 Sport/Apollo Series Nitro Buggy Engine Mount Plate For RTR Engine (L-R)	2	SW-338037	103004	M2.5mm Nut Lock	4	SW-103004
338070B	S35 Series Rear Upper Sus. Arm Ball Stud (7.0mm Hex)	2	SW-338070B	103001	M3 Nut Lock	22	SW-103001
338109	ZEUS/Apollo 2.0 Series Aluminum Servo Saver Steering Plate	1	SW-338109	103003A	Flange M3 Nut Lock (GM)	4	SW-103003A
338110	ZEUS/Apollo 2.0 Series Aluminum Steering Bellcrank Plate	1	SW-338110	101020A	3mm Countersunk Washers (RD)	2	SW-101020A
338111	Apollo Nitro 2.0 Series T7075 Aluminum Main Chassis	1	SW-338111	101010A	M3 Countersunk Washer(GM)	6	SW-101010A
340035	ZEUS/Apollo 2.0 Series Carbon Fiber Steering Knuckle Plate (R&L)	2	SW-340035	101021	M3x8xT0.8mm	5	SW-101021
340038	Apollo 2.0 Series Carbon Fiber Center Diff Mount Plate	1	SW-340038	101019	SHIM 6.0x10.0x0.2mm	1	SW-101019
420010	Antenna Cup	1	SW-420010	101018	SHIM 8.0x10.0x0.1mm	6	SW-101018
400002	O-ring S5 4.8X1.5	6	SW-400002	101015	M5x8xT0.4mm	4	SW-101015
400006	Shock Seal O-Ring	8	SW-210058	101016	M5x8xT0.8mm	1	SW-101016
400009	Shock Boot (L)	2	SW-400009	101013	3mm Spring Washer	4	SW-101013
400010	Shock Boot (S)	2	SW-400010	101012	M3x6xT0.5mm	4	SW-101012
400019	S350 New BBS System Shock Spring Adjust Nut O-Ring	4	SW-400019	101004	Washer 3.5X10X0.2mm	12	SW-101004
400020	S350 New BBS System Shock Seal O-Ring	4	SW-400020				
400022A-S	S35 Series BBS System Pro Shock Bladder (Soft)	4	SW-40022A-S				
610002	Diff. Gasket (0.5T)	3	SW-610002				
610020	S35-3 Series Center Big Bore Plastic Diff. Case Gasket	1	SW-610020				
610025	SWORKz 1/8 Nitro Buggy High Density Air Filter Foam Set	1	SW-610025				
710007A	1/8 Sport Aluminum Clutch Shoes	3	SW-710007A				
840023	SWORKz SES-2S 12kg Metal Gear Servo (F Connect)(Made by Savox)	2	SW-840023				
840025	SWORKz SW-R2 2.4G 3 channels Receiver	1	SW-840025				
116012	Ball Bearing 15x21x4mm	4	SW-116012				
116004R	Ball Bearing 6x10x3mm (Red Rubber Case)(4PC)	4	SW-116004R				
116006R	Ball Bearing 8x16x5mm (Red Rubber Case)(10PC)	10	SW-116006R				
116010R	Ball Bearing 5x10x4mm (Red Rubber Case)	2	SW-116010R				
115019	Body Clip	2	SW-115019				
115005	Rear Sway Ball 2.8mm	1	SW-115005				
115008A	S35/350 Series Front Sway Bar 2.3mm	1	SW-115008A				
115004	Servo Saver Spring	1	SW-330114A				
115011A	S35-GT Series Pipe Spring (L)	1	SW-115011A				



# Spare Part List

Item No.	Part Name	Item No.	Part Name
SW-228004A	S35-4 Series Plastic Side Guard Set with Stopper	SW-330252	Steering Knuckle Pivot Ball Turnbuckle
SW-2501093B	S350 EVO I/II BBS Front Lower Arm Set	SW-330554	S350 New BBS System Shock Cap (2pc) (GM)
SW-2501094C	S350 Series S35 Competition Rear Lower Arm Set	SW-330557	S350 New BBS System Shock Seal Cap (GM)
SW-2501095A	S350 Rear Hub Carrier Set (Also for LDS) (L&R)	SW-330560B	S35 New BBS System Shock Spring Adjust Nut (BK)
SW-2501096	S350 Full Arm Holder Set (7pc)	SW-330562A	S35 Series BBS System Shock Piston 1.3mmX6 Holes (BK)(2PC)
SW-2501097	S350 Wing Stay Set with Bumper	SW-330633	S350 BBS System +5.6mm Shock Body L
SW-2501098A	S350 Front Steering Knuckle Set (Also for LDS) (L&R)	SW-330634	S350 BBS System +5mm Shock Body S
SW-2501099	S350 R/F Insert, Brake, Throttle Linkage Linkage Holder	SW-330635	S350 New BBS System +5.5mm Shock Shaft ( L)
SW-2501100	S350 Pivot Ball Cup, Caster Insert Set	SW-330636	S350 New BBS System +1.3mm Shock Shaft (S)
SW-2501113	S350 Front Upper Arm Set (L&R)	SWC-330647	S350 BBD Special Brake Cam
SW-2501114	S350 Gear Box Set (F&R)	SW-330663A	S35-3 Series Steel R-Center Drive Shaft (115mm)
SW-2501115	S350 Rear Lower Arm Dusty Cover with Fuel Sprinkle Guard	SW-330767A	S35-3 Series Steel F-Center Dive Shaft (88mm)
SW-2501116	SWORKz High Done Force Wing Set (BK)(Fit S350)	SW-330768	S35-3 Series Center Spur Gear for Plastic Big Bore Diff Case (46T)
SW-2501121C	S350/S350T Ball End Set with Shock Plastic Parts	SW-330777A	S35-4 Series Steering Linkage Ball Stud 7mm(L7)(4PC)
SW-2501122B	S35/S350 Series Setting Bellcrank Set 2.0 Set (with Servo Horn)	SW-330782	S35-3 Series Rear Hub Carriers Hinge Pin
SW-2501124	S350 Center Diff. Mount Set (2 Set)	SW-330813	S35-3E Steering Turnbuckle M4x30mm
SW-2501126	Ail Filter Set	SW-330828	S350 Sport Buggy Series Aluminum Front Shock Tower
SW-2501529	S350 BX1/BR1 Plastic Chassis Brace Set	SW-330829	S350 Series Sport Buggy Series Aluminum Rear Shock Tower
SW-2502036	S350 Series Rear Changable Plastic Lower Arm Plate with insert	SW-330830	S350 Sport Buggy Series Aluminum Rear Lower Arm Holder
SW-2503262	S35-3 Nitro Buggy Radio Tray Set	SW-330831	S350 Sport Buggy Series Aluminum Front Lower Arm Plate
SW-210018	Throttl Linkage Set	SW-338037	S350 Sport/Apollo Series Nitro Buggy Engine Mount Plate For RTR Engine (L=R)
SW-210033B	S35/350 Series Floating Fuel Filter System Tank Set	SW-338070B	S35 Series Rear Upper Sus. Arm Ball Stud (7.0mm Hex)
SW-210043	S350 Professional Matel Brake Calipers 2.0 Set	SW-338109	ZEUS/Apollo 2.0 Series Aluminum Servo Saver Steering Plate
SW-210058	S350 series BBS Shock Seal Kit	SW-338110	ZEUS/Apollo 2.0 Series Aluminum Steering Bellcrank Plate
SW-210079	S35-3 Series Pleastic Center Big Bore Diff Case	SW-338111	Apollo Nitro 2.0 Series T7075 Aluminum Main Chassis
SW-250041RN-RD	S350 Falcon II Pre-painted and Pre-Cut Body Shell (For Nitro Buggy)(RD)	SW-340035	ZEUS/Apollo 2.0 Series Carbon Fiber Steering Knuckle Plate (R&L)
SW-300017	Brake Disc	SW-340038	Apollo 2.0 Series Carbon Fiber Center Diff Mount Plate
SW-320003	Diff. Bevel Gear Set	SW-400002	O-ring S5
SW-330008A	SWORKz Tornado Fly Wheel Set (GM)	SW-400009	Shock Boot (L)
SW-330013	Bevel Gear Shaft	SW-400010	Shock Boot (S)
SW-330014A	Front/Rear Diff. Outdrive	SW-400019	S350 New BBS System Shock Spring Adjust Nut O-Ring (4pc)
SW-330015	Pin M2.2x9.9mm	SW-400020	S350 New BBS System Shock Seal O-Ring (4pc)
SW-330017	Center Diff. Outdrive	SW-400022A-S	S35 Series BBS System Pro Shock Bladder (Soft)(8PC)
SW-330103	Front/Rear Lower Arm HingPin	SW-420010	Antenna Cup
SW-330104	Brake Cam Set	SW-610002	Diff. Gasket (0.5T)
SW-330109	F/R Drive Shaft 93.5mm	SW-610020	S35-3 Series Center Big Bore Plastic Diff. Case Gasket (3pc)
SW-330110	CVD Join	SW-610025	SWORKz 1/8 Nitro Buggy High Density Air Filter Foam Set (12 Sets)
SW-330111	Pin M2.5x14.8mm	SW-710007A	1/8 Nitro Buggy Aluminum Clutch Shoes (3PC)
SW-330112	CVD Axle	SW-101004	Washer 3.5X10X0.2mm
SW-330113	Servo Saver Shaft	SW-101010A	M3 Countersunk Washer(GM)
SW-330114A	S350 Servo Saver Post (HC)	SW-101012	M3x6xT0.6mm
SW-330117A	S350 Series Knuckle Pivot Ball Washer(GM)	SW-101018	SHIM 13x16x0.2mm
SW-330118A	S350 Series Knuckle Pivot Ball Nut(GM)	SW-101019	SHIM 6.0x10.0x0.2mm
SW-330119	Front Upper Arm HingPin	SW-101020A	3mm Countersunk Washers (RD)
SW-330121A	S350 Wheel Hub(HC)	SW-101021	M3x8xT0.8mm
SW-330122A	S350 Wheel Nut (HC)	SW-103001	M3 Nut Lock
SW-330123A	S350 EVO Rear Upper Sus. Arm Turnbuckles M5x38mm	SW-103003A	Flange M3 Nut Lock (GM)
SW-330124	Pin M3.0x16.8mm	SW-103004	M2.5mm Nut Lock
SW-330125	Rear Upper Sus. Arm Ball Stud	SW-104004	M3x3mm Set Screw
SW-330134	Shock Ball Stud	SW-104005	M3x4mm Set Screw
SW-330136	Sway Bar Ball Stud	SW-104009	M3x16mm Set Screw (10pc)
SW-330137	Clutch Bell 13T	SW-104010	M5x4mm Set Screw (Flat Bottom)
SW-330138	Shock Cap Stud	SW-104011	M4x4mm Set Screw (Flat Bottom)
SW-330140A	S350 SeriesPipe Holder(GM)	SW-105004	M2.6x6mm Cap Screw
SW-330155	Steering Servo Turnbuckle (M3x30mm)	SW-105005	M3x12mm Cap Screw
SW-330156A	S350 Series Adjuster Knob (Included Brake Adjuster Knob)(GM)	SW-105006	M3x28mm Cap Screw
SW-330160	S-System Pinion Gear 13T	SW-105007A	M4x8mm I-Head Screw (Thin)
SW-330164	Crown Gear 43T	SW-105011	M3x23mm Cap Screw
SW-330227	S350 BX1/BR1 Center Drive Join	SW-105012	M3x10mm Cap Screw(10pc)
SW-330251	S350 BX1/BR1 Steering Plate Bushing	SW-105019	M3x14mm Cap Screw

## Spare Part List

Item No.	Part Name
SW-106001	M3x8mm Hex Soket OH/TP Screw
SW-106002	M3x10mm Hex Soket OH/TP Screw
SW-106003	M3x16mm Hex Soket OH/TP Screw
SW-106005	M3x15mm Hex Soket OH/TP Screw
SW-106006	M3x20mm Hex Soket OH/TP Screw
SW-106007	M3x12mm Hex Soket OH/TP Screw(HT)
SW-106008	M3x12mm Hex Soket OH/TP Screw
SW-106009	M3x25mm Hex Soket OH/TP Screw
SW-106010	M3x6mm Hex Soket OH/TP Screw
SW-106021A	S35 Series M4x10mm Hex Soket OH/TP Set Screw (8pc)
SW-108001	M3x12mm FH/ST HEX Screw
SW-108003	M3x10mm FH/ST HEX Screw
SW-108006	M3x8mm FH/ST HEX Screw
SW-108007	M3x6mm FH/ST HEX Screw
SW-108008	M3x35mm FH/ST HEX Screw
SW-108010	M4x10mm FH/ST HEX Screw
SW-108011	M4x12mm FH/ST HEX Screw
SW-108012	M4x16mm FH/ST HEX Screw
SW-115005	Rear Sway Ball 2.8mm
SW-115008A	Front Sway Ball 2.3mm
SW-115011A	S35-GT Series Pipe Spring (+10mm Longer)
SW-115019	Body Clip
SW-115048A	1/8 Nitro Buggy Sport Clutch Spring (1.0mm)(3PC)
SWC-115168	S35 Series Black Competition Rear Shock Spring (L2-Dot)(86X1.6X10.75)
SWC-115170	S35 Series Black Competition Front Shock Spring (S3-Dot)(70X1.6X8.5)
SW-116004R	Ball Bearing 6x10x3mm (Red Rubber Case)(4PC)
SW-116006R	Ball Bearing 8x16x5mm (Red Rubber Case)(10PC)
SW-116010R	Ball Bearing 5x10x4mm (Red Rubber Case)(4PC)
SW-116012	Ball Bearing 15x21x4mm
SW-800003	Switch
SW-840023	SWORKz SES-2S 12kg Metal Gear Servo(F Connect) (Made by Savox)
SW-840026	SWORKz SW-T2/R2 2.4G 3 channels Radio Set
SP-80111	Spower Sport RTR .21 In-Line U Manifold
SP-80112	Spower Sport RTR .21 In-Line Pipe

## Option Part List

Item No.	Part Name
SW-228008BK	SWORKz 1/8 Off Road Formula 2.0 Race Wing (BK)
SW-228008WH	SWORKz 1/8 Off Road Formula 2.0 Race Wing (WH)
SW-228013BK	SWORKz 1/8 Off Road Pro-Speed 2.0 Race Wing (BK)(Pre-Holes)
SW-228013WH	SWORKz 1/8 Off Road Pro-Speed 2.0 Race Wing (WH)(Pre-Holes)
SW-228013FY	SWORKz 1/8 Off Road Pro-Speed 2.0 Race Wing (FY)(Pre-Holes)
SW-2501116A	S-WORKz High Done Force Wing Set (BK)
SW-2501116AFY	S-WORKz High Done Force Wing Set (FY)
SW-2501116AWH	S-WORKz High Done Force Wing Set (WH)
SW-250048	S35 Series Falcon Style 3 Clean Body Shell
SW-258001C-N	S35 Series Falcon ST-4 Clean Body Shell (Pre-Cut for Nitro Buggy)
SW-330115	Steering Knuckle Pivot Ball Turnbuckle
SW-330116	14mm Knuckle Pivot Ball
SW-330125A	S350 Series Aluminum Rear Upper Sus. Arm Ball Stud (4pc)
SW-330134A	S350 Series Aluminum Shock Ball Stud(4pc)
SW-330136A	S350 Series Aluminum Sway Bar Ball Stud(4pc)
SW-330168A	S35-3 Series Rear Chassis Blance wight 15g(2pc)
SW-330210A	S350 Aluminum Front Upper Arm Holder (GM Color)
SW-330215A	S35/350 Sries Aluminum Front Changeable Lower Arm Holder (BK)
SW-330243	SWORKz 3x18mm Shock Hex Screw Set (Anti-Clockwise)
SW-330398A	SWORKz S350 Series Pro Wheel Nut (GM)
SW-330420	S350 Series Knuckle Pivot Ball Balance Nut (5.5g) (2pc)
SW-330421	S350 Series Front Wheel Hub Balance Weight (10g)(L)
SW-330422	S350 Series Front Wheel Hub Balance Weight (10g)(R)
SW-330424	S350 Series Aluminum Wing Holder (RED)
SW-330424B	S350 Series Aluminum Wing Holder (BK)
SW-330424G	S350 Series Aluminum Wing Holder (GM)
SW-330450	S350 Series Aluminum Rear Hub Carry (GM Color)
SW-330474	S350 Series Rear Wheel Hub Balance Weight Lower (8g) (2pc)
SW-330475	S350 Series Rear Wheel Hub Balance Weight Lower (5g)(2pc)
SW-330505A	S35 Series Lightened Wheel Hub for 8mm Axil (L6.5mm)
SW-330506A	S35 Series Lightened Wheel Hub for 8mm Axil (L5.0mm)
SW-330564A	S35 Series BBS System Shock Piston 1.5mmX6 Holes (BK)
SW-330568	S350 Buggy Series Aluminum Center Diff. Mount
SW-330661A	S35-T/S35 Series Competition Center Drive Join (5mm set screw)
SW-338078-25	SWORKz Uni-Design 2-Way System Aluminum Steering Servo Horn 25T
SW-338078-23	SWORKz Uni-Design 2-Way System Aluminum Steering Servo Horn 23T
SW-338079-25	SWORKz Uni-Design Aluminum Throttle Servo Horn 25T
SW-338079-23	SWORKz Uni-Design Aluminum Throttle Servo Horn 23T
SW-360001	S35 Series Front Arm Holder Balance Weight Set (25g/35g)
SW-360003	S35E/ZEUS/APOLLO Series Brass Reinforcement for Center Chassis (20g)
SW-510053-PBK	SWORKz Speed Logo Sticker (PushBar)( BK)(2pc)
SW-510053-PFO	SWORKz Speed Logo Sticker (PushBar)( FO)(2pc)
SW-510053-PFY	SWORKz Speed Logo Sticker (PushBar)( FY)(2pc)
SW-510053-PHA	SWORKz Speed Logo Sticker (PushBar)(Hara Edition)(2pc)
SW-510053-PWH	SWORKz Speed Logo Sticker (PushBar)(WH)(2pc)
SWC-115107	S350 Competition Shock Spring A-2 (75X1.4X7.25)(Red)
SWC-115109	S350 Competition Shock Spring B-2 (90X1.4X8.5)(Pink)
SWC-115110	S350 Competition Shock Spring C-1 (75X1.5X7.75)(SkyBlue)
SWC-115118	S350 Competition Shock Spring E-3 (90X1.5X8.5)(Blue)
SWC-116006C	SWORKz Competition 8x16x5mm Ball Bearing (Metal Case)(6PC)
SW-116010B	High Performance Ball Bearing 5x10x4mm (coffee)(4pc)
SWC-116016B	SWORKz Competition 5x11x4mm Ball Bearing (Metal Case)(4PC)
SWC-330486	S350 Series Competition LDS 13T straight pinion gear
SWC-330487	S350 Series Competition LDS 43T straight crown gear
SW-210046	S350 Series LDS Universal Cross Drive Shaft Set 92.5mm (1pc)
SW-250050	SWORKz 1/8 Off Road Formula Bulkhead Wing (4PC)/ Front Upper Arm's Wing Set (4PC)
SW-250050A	SWORKz 1/8 Off Road Formula Bulkhead Lexan Wing (0.8mm)(4PC)
SW-330663	S35-3 Series Aluminum R-Center Drive Shaft (115mm)
SW-330767	S35-3 Series T-7075 Aluminum F-Center Dive Shaft (88mm)
SW-330783	S35-3 Series Center Spur Gear for Plastic Big Bore Diff Case (47T)

## Option Part List

Item No.	Part Name	Item No.	Part Name
SW-330784	S35-3 Series Center Spur Gear for Plastic Big Bore Diff Case (48T)	SW-115150A	S35/350 Series Front Sway Bar 2.4mm
SW-210002H	S35/S350 Series Big Bore Diff Case (Hard)(Gray)	SW-115151A	S35/350 Series Front Sway Bar 2.5mm
SWC-210088	S35-3 Nitro Series Pro-composite Carbon One Unit Radio Tray Set	SW-115009A	S35/350 Series Front Sway Bar 2.6mm
SW-218001	S35/350 Series Front Sway Bar Set (2.0/2.1/2.2/2.3/2.4/.2.5/2.6/2.8mm)	SW-115010A	S35/350 Series Front Sway Barr 2.8mm
SW-218002	S35/350 Series Rear Sway Bar Set (2.4/2.5/2.6/2.7/2.8/3.0mm)	SW-115046	S35/S350 Series Rear Sway Bar 2.4mm
SW-330500A	S35/S350 Series Front Sway Bar 2.0mm	SW-115047	S35/S350 Series Rear Sway Bar 2.5mm
SW-115034A	S35/350 Series Front Sway Bar 2.1mm	SW-115006	S35/S350 Series Rear Sway Bar 2.6mm
SW-115035A	S35/350 Series Front Sway Bar 2.2mm	SW-330499	S35/S350 Series Rear Sway Bar 2.7mm
SW-115008A	S35/350 Series Front Sway Bar 2.3mm	SW-115005	S35/S350 Series Rear Sway Bar 2.8mm
SW-115150A	S35/350 Series Front Sway Bar 2.4mm	SW-115007	S35/S350 Series Rear Sway Bar 3.0mm
SW-115151A	S35/350 Series Front Sway Bar 2.5mm	SWC-115163	S35 Series Black Competition Front Shock Spring (M4-Dot)(75X1.6X8.75)
SW-115009A	S35/350 Series Front Sway Bar 2.6mm	SWC-115164	S35 Series Black Competition Front Shock Spring (M3-Dot)(75X1.6X9.0)
SW-115010A	S35/350 Series Front Sway Barr 2.8mm	SWC-115165	S35 Series Black Competition Front Shock Spring (M2-Dot)(75X1.6X9.25)
SW-115046	S35/S350 Series Rear Sway Bar 2.4mm	SWC-115164	S35 Series Black Competition Front Shock Spring (M3-Dot)(75X1.6X9.0)
SW-115047	S35/S350 Series Rear Sway Bar 2.5mm	SWC-115190	S35 Series Competition Black Line Rear Shock Spring (RM4-Dot)(80X1.6X9.75)
SW-115006	S35/S350 Series Rear Sway Bar 2.6mm	SWC-115191	S35 Series Competition Black Line Rear Shock Spring (RM3-Dot)(80X1.6X10.0)
SW-330499	S35/S350 Series Rear Sway Bar 2.7mm	SWC-115192	S35 Series Competition Black Line Rear Shock Spring (RM2-Dot)(80X1.6X10.25)
SW-115005	S35/S350 Series Rear Sway Bar 2.8mm	SW-360004	S35 Series Rear Lower Arm Holder Balance Weight (25g)
SW-115007	S35/S350 Series Rear Sway Bar 3.0mm	SW-360005	S35 Series Front Lower Arm Plate Balance Weight (25g)
SWC-115163	S35 Series Black Competition Front Shock Spring (M4-Dot)(75X1.6X8.75)	SW-338033	S35-3 Series Lightened Aluminum Front Chassis Brace
SWC-115164	S35 Series Black Competition Front Shock Spring (M3-Dot)(75X1.6X9.0)	SW-338035	S35-3 Series Lightened Aluminum Rear Chassis Brace
SWC-115165	S35 Series Black Competition Front Shock Spring (M2-Dot)(75X1.6X9.25)	SW-338036	SWORKz 1/8 Nitro Series Pipe Spring Lock (1 set)
SWC-115164	S35 Series Black Competition Front Shock Spring (M3-Dot)(75X1.6X9.0)	SWC-338006	SWORKz Tornado Hi-Performance Lightened Clutch Bell (13T)
SWC-115190	S35 Series Competition Black Line Rear Shock Spring (RM4-Dot)(80X1.6X9.75)	SWC-338020	SWORKz Tornado Hi-Performance Lightened Clutch Bell (14T)
SWC-115191	S35 Series Competition Black Line Rear Shock Spring (RM3-Dot)(80X1.6X10.0)	SW-510053-PFY	SWORKz Speed Logo Sticker (PushBar)(FY)(2pc)
SWC-115192	S35 Series Competition Black Line Rear Shock Spring (RM2-Dot)(80X1.6X10.25)	SW-510053-PHA	SWORKz Speed Logo Sticker (PushBar)(Hara Edition)(2pc)
SW-360004	S35 Series Rear Lower Arm Holder Balance Weight (25g)	SW-510053-PWH	SWORKz Speed Logo Sticker (PushBar)(WH)(2pc)
SW-360005	S35 Series Front Lower Arm Plate Balance Weight (25g)	SWC-115107	S350 Competition Shock Spring A-2 (75X1.4X7.25)(Red)
SW-338033	S35-3 Series Lightened Aluminum Front Chassis Brace	SWC-115109	S350 Competition Shock Spring B-2 (90X1.4X8.5)(Pink)
SW-338035	S35-3 Series Lightened Aluminum Rear Chassis Brace	SWC-115110	S350 Competition Shock Spring C-1 (75X1.5X7.75)(SkyBlue)
SW-338036	SWORKz 1/8 Nitro Series Pipe Spring Lock (1 set)	SWC-115118	S350 Competition Shock Spring E-3 (90X1.5X8.5)(Blue)
SWC-338006	SWORKz Tornado Hi-Performance Lightened Clutch Bell (13T)	SWC-116006C	SWORKz Competition 8x16x5mm Ball Bearing (Metal Case)(6PC)
SWC-338020	SWORKz Tornado Hi-Performance Lightened Clutch Bell (14T)	SW-116010B	High Performance Ball Bearing 5x10x4mm (coffee)(4pc)
SW-510053-PFY	SWORKz Speed Logo Sticker (PushBar)(FY)(2pc)	SWC-116016B	SWORKz Competition 5x11x4mm Ball Bearing (Metal Case)(4PC)
SW-510053-PHA	SWORKz Speed Logo Sticker (PushBar)(Hara Edition)(2pc)	SWC-330486	S350 Series Competition LDS 13T straight pinion gear
SW-510053-PWH	SWORKz Speed Logo Sticker (PushBar)(WH)(2pc)	SWC-330487	S350 Series Competition LDS 43T straight crown gear
SWC-115107	S350 Competition Shock Spring A-2 (75X1.4X7.25)(Red)	SW-210046	S350 Series LDS Universal Cross Drive Shaft Set 92.5mm (1pc)
SWC-115109	S350 Competition Shock Spring B-2 (90X1.4X8.5)(Pink)	SW-250050	SWORKz 1/8 Off Road Formula Bulkhead Wing (4PC)/ Front Upper Arm's Wing Set (4PC)
SWC-115110	S350 Competition Shock Spring C-1 (75X1.5X7.75)(SkyBlue)	SW-250050A	SWORKz 1/8 Off Road Formula Bulkhead Lexan Wing (0.8mm)(4PC)
SWC-115118	S350 Competition Shock Spring E-3 (90X1.5X8.5)(Blue)	SW-330663	S35-3 Series Aluminum R-Center Drive Shaft (115mm)
SWC-116006C	SWORKz Competition 8x16x5mm Ball Bearing (Metal Case)(6PC)	SW-330767	S35-3 Series T-7075 Aluminum F-Center Dive Shaft (88mm)
SW-116010B	High Performance Ball Bearing 5x10x4mm (coffee)(4pc)	SW-330783	S35-3 Series Center Spur Gear for Plastic Big Bore Diff Case (47T)
SWC-116016B	SWORKz Competition 5x11x4mm Ball Bearing (Metal Case)(4PC)	SW-330784	S35-3 Series Center Spur Gear for Plastic Big Bore Diff Case (48T)
SWC-330486	S350 Series Competition LDS 13T straight pinion gear	SW-210002H	S35/S350 Series Big Bore Diff Case (Hard)(Gray)
SWC-330487	S350 Series Competition LDS 43T straight crown gear	SWC-210088	S35-3 Nitro Series Pro-composite Carbon One Unit Radio Tray Set
SW-210046	S350 Series LDS Universal Cross Drive Shaft Set 92.5mm (1pc)	SW-218001	S35/350 Series Front Sway Bar Set (2.0/2.1/2.2/2.3/2.4/.2.5/2.6/2.8mm)
SW-250050	SWORKz 1/8 Off Road Formula Bulkhead Wing (4PC)/ Front Upper Arm's Wing Set (4PC)	SW-218002	S35/350 Series Rear Sway Bar Set (2.4/2.5/2.6/2.7/2.8/3.0mm)
SW-250050A	SWORKz 1/8 Off Road Formula Bulkhead Lexan Wing (0.8mm)(4PC)	SW-330500A	S35/S350 Series Front Sway Bar 2.0mm
SW-330663	S35-3 Series Aluminum R-Center Drive Shaft (115mm)	SW-115034A	S35/350 Series Front Sway Bar 2.1mm
SW-330767	S35-3 Series T-7075 Aluminum F-Center Dive Shaft (88mm)	SW-115035A	S35/350 Series Front Sway Bar 2.2mm
SW-330783	S35-3 Series Center Spur Gear for Plastic Big Bore Diff Case (47T)	SW-115008A	S35/350 Series Front Sway Bar 2.3mm
SW-330784	S35-3 Series Center Spur Gear for Plastic Big Bore Diff Case (48T)		
SW-210002H	S35/S350 Series Big Bore Diff Case (Hard)(Gray)		
SWC-210088	S35-3 Nitro Series Pro-composite Carbon One Unit Radio Tray Set		
SW-218001	S35/350 Series Front Sway Bar Set (2.0/2.1/2.2/2.3/2.4/.2.5/2.6/2.8mm)		
SW-218002	S35/350 Series Rear Sway Bar Set (2.4/2.5/2.6/2.7/2.8/3.0mm)		
SW-330500A	S35/S350 Series Front Sway Bar 2.0mm		
SW-115034A	S35/350 Series Front Sway Bar 2.1mm		
SW-115035A	S35/350 Series Front Sway Bar 2.2mm		
SW-115008A	S35/350 Series Front Sway Bar 2.3mm		

# APOLLO

## 1/8 Off Road Pro RTR Buggy



**SPEEDMASTER HOBBY CO., LTD.**

TEL: +886-3-538-7638

FAX: +886-3-538-7328

No.42, Ruiguang St., Xiangshan Dist.,  
Hsinchu City 300, Taiwan (R.O.C.)

[www.sworkz.com](http://www.sworkz.com)