

INSTRUCTION MANUAL

M210 **4WD**

1/10 EP M-CHASSIS

**4WD** SHAFT  
DRIVEN



SHAFT DRIVEN



ELECTRICAL POWER

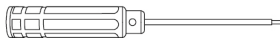
[WWW.CARTEN-RC.COM](http://WWW.CARTEN-RC.COM)

## CAUTION

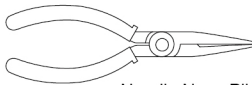
## M210 FWD

**Notice:** Thank you for choosing the carten M210FWD  
The following items are needed for completion of the KIT, They are not included with this kit (unless noted), and should be obtained from your local hobby shop.  
**Be sure to read the instructions completely prior to assembly.**

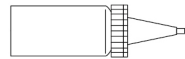
### Tools needed To Assemble



Hex Wrenches(1.5mm / 2.0mm / 2.5mm)



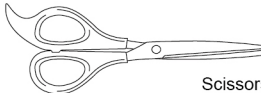
Needle Nose Pliers



Instant Glue



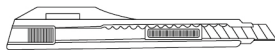
Box Wrench(5.5mm / 7mm / 10mm)



Scissors



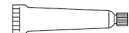
Screw (Sement)



Hobby Knife

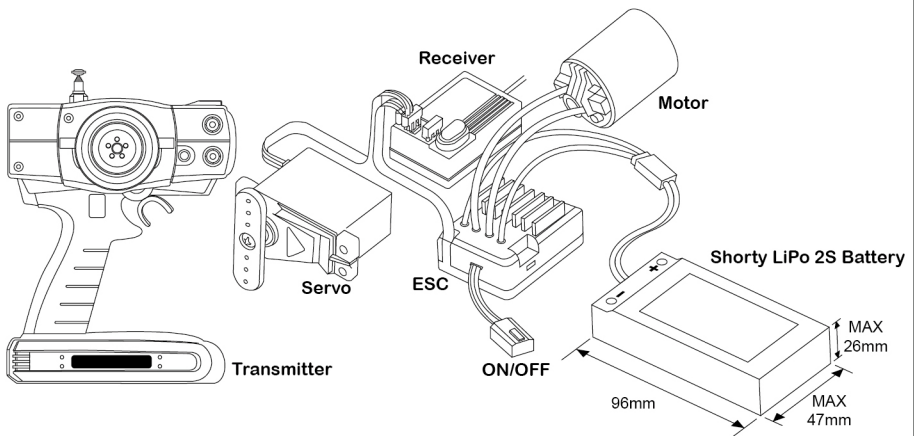


Glass or Vinyl Tape



Rubber Glue

### Items Needed To Control Car



## M210 FWD

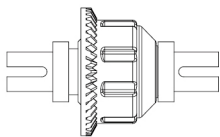
CARTEN M210FWD 1/10 EP M-CHASSIS

### Specification

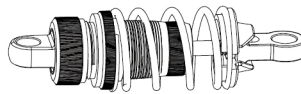
<b>Drivetrain</b>	Shaft Drive / FWD
<b>Track Width</b>	166 mm
<b>Wheelbase</b>	210/ 225 /239mm Option
<b>Final Gear Ratio</b>	2.47(42/17)
<b>Spur &amp; Pinion Gear</b>	72/39
<b>Tire Diameter</b>	55mm

### Accessories

Full Bearing	Alu Spur Gear Hub
Steel CVD Drive Shaft	Alu Shocks
Composite Fibre Chassis , Upper Deck , Shock Tower	Metal gear Differential
Alu Floating Servo Mount	Full turnbuckle
Alu Motor Mount	Full alu toein mount



Metal Gear Diff



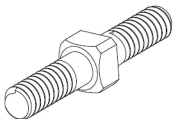
Aluminum  
Oil Shock



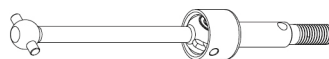
Aluminum  
Servo Mount Set



Aluminum  
Hex Hub





Turnbuckle

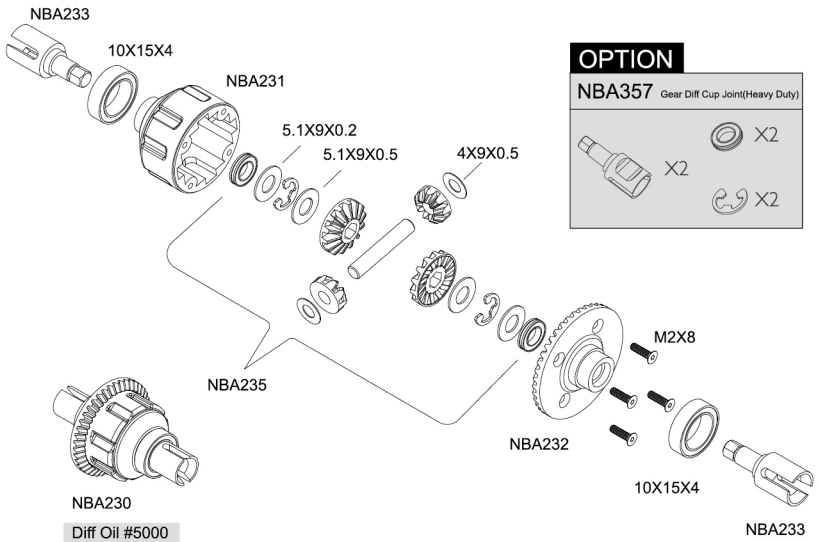


CVD Drive Shaft









## M210 FWD

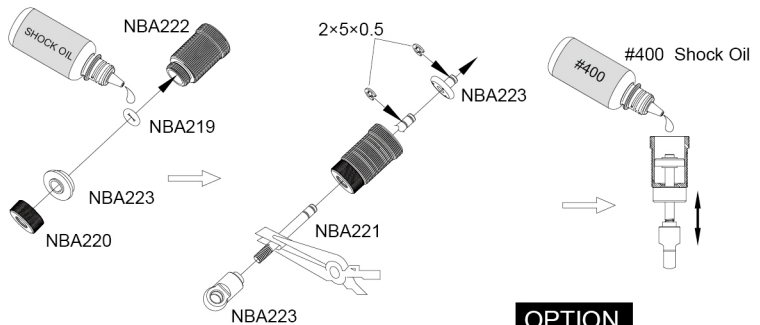
**1**

-  X2  
NBA235  
5.1×9×0.5mm
-  X2  
NBA235  
5.1×9×0.2mm
-  X2  
NBA235  
4×9×0.5mm
-  X2  
NBA303  
4.0mm
-  X4  
NBA286  
M2×8mm
-  X2  
NBA299  
10×15×4mm



**2**

-  X1  
NBA222
-  X1  
NBA220
-  X2  
NBA221  
2×5×0.5mm
-  X1  
NBA221
-  X1  
NBA219
-  X1  
NBA223
-  X1  
NBA223
-  X1  
NBA223



**Stand**



**OPTION**

NBA362 Shock Spacer



X4

NBA363 Shock Pistons-3H1.2



X4

NBA364 Shock Pistons-4H1.1



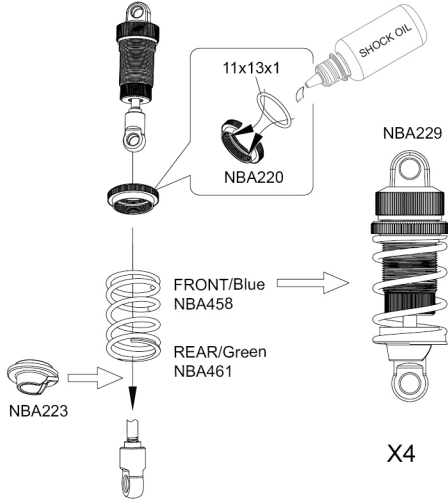
X4



## M210 FWD

**3**

- X1
- X1
- X1
- X1
- X1
- X1
- X1

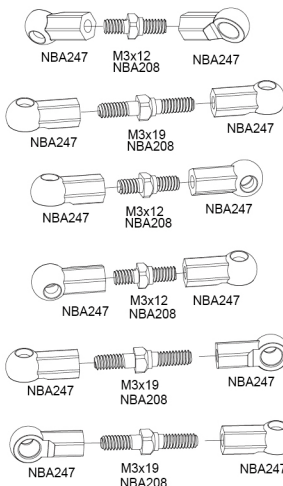


HARD ← → SOFT

NHA457	NHA458	NHA459	NHA460	NHA461	NHA462
Shock Spring 1.4*20mm(White)	Shock Spring 1.4*20mm(Blue)	Shock Spring 1.4*20mm(Yellow)	Shock Spring 1.4*20mm(Red)	Shock Spring 1.4*20mm(Green)	Shock Spring 1.4*20mm(Purple)
X4	X4	X4	X4	X4	X4
White	Blue	Yellow	Red	Green	Purple

**4**

- x14
- x3
- x4



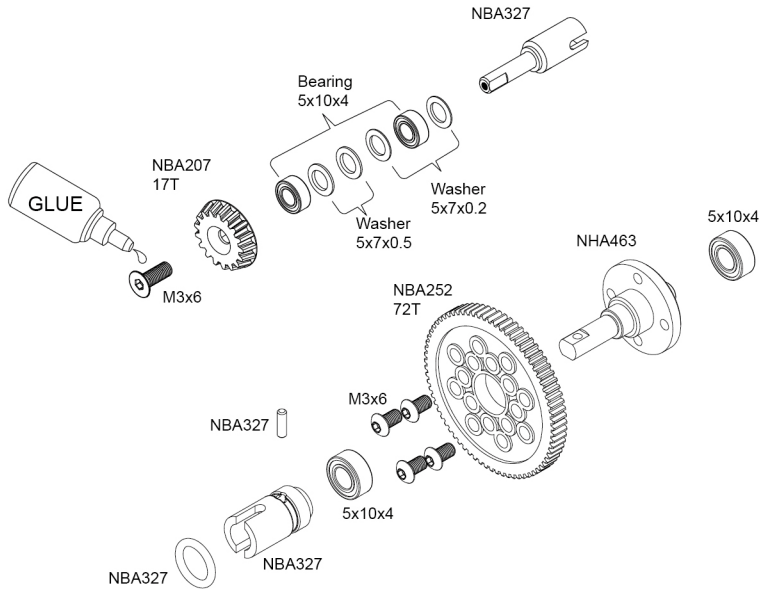
**SET UP**

- (A) x1 - Servo Saver
- (B) x2 - Steering
- (C-1) x1 - Front upper
- (C-2) x1 - Front upper
- (D-1) x1 - Rear upper
- (D-2) x1 - Rear upper

## 5

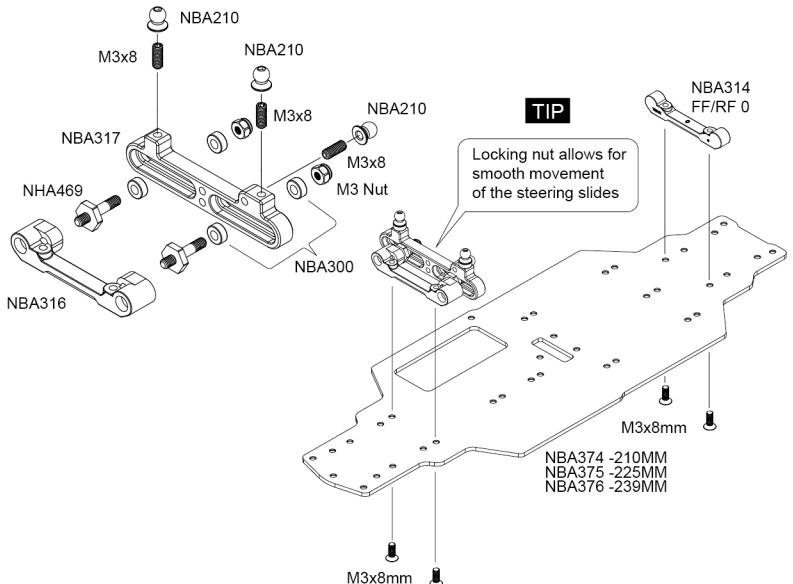
# M210 FWD

-  x2  
NHA442  
5x7x0.5
-  x2  
NHA443  
5x7x0.2
-  x2  
NBA255  
2.0x7.6
-  x2  
NBA255  
Oring 5.8x9.6x1.9
-  x4  
NBA298  
5x10x4
-  x2  
NBA282  
M3x8
-  x4  
NBA279  
M3x6mm



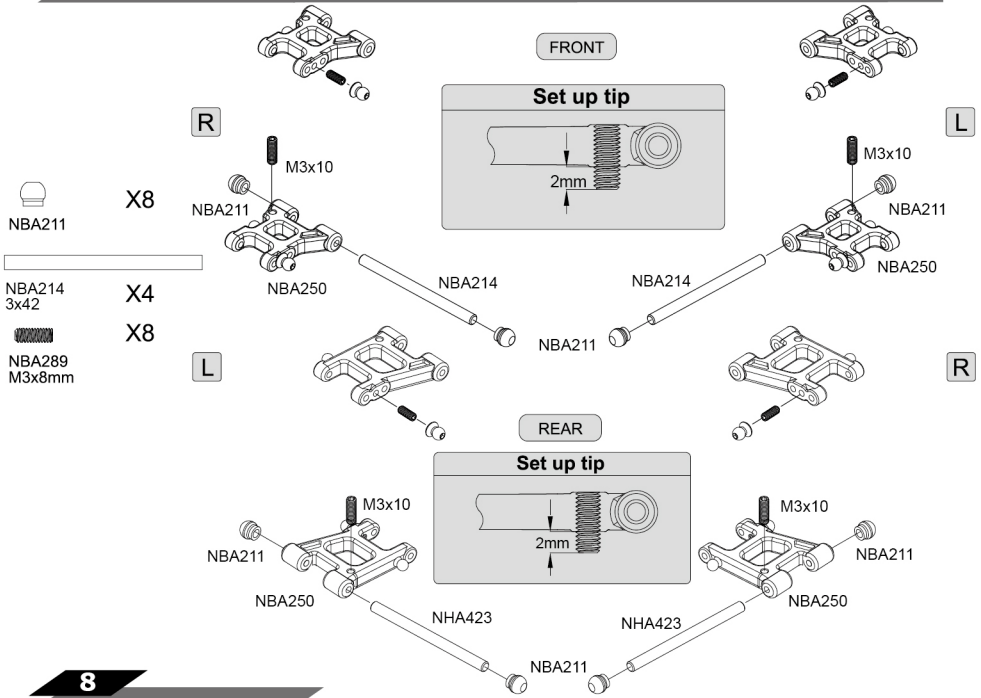
## 6

-  x4  
NBA300  
3x6x2.5
-  x1  
NBA294  
M3 Nut
-  x3  
NBA210
-  x3  
NBA289  
M3x8
-  x4  
NBA280  
M3x8

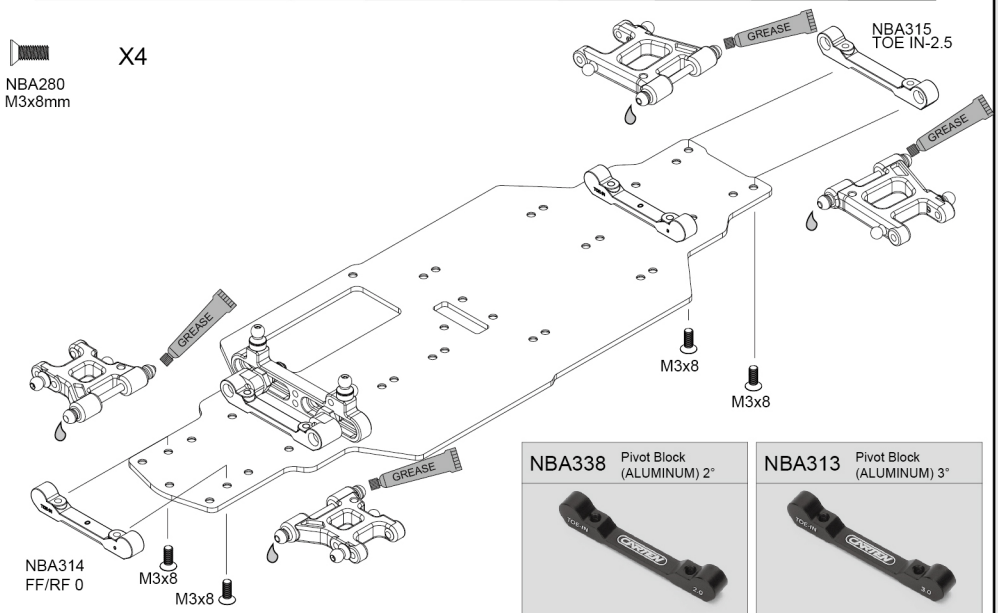


## 7

# M210 FWD



## 8



## 9

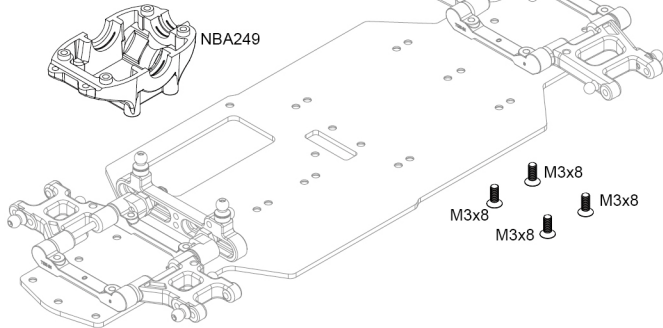
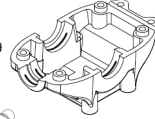
# M210 FWD



X8

NBA280  
M3x8

NBA249



M3x8  
M3x8  
M3x8  
M3x8

M3x8  
M3x8  
M3x8

## 10



X2

NBA279  
M3x6mm



X1

NBA282  
M3x8mm



X1

NBA210  
3x8mm



X9

NBA281  
M3x6mm



X1

(Black)  
NBA254



X2

(Silver)  
NBA254



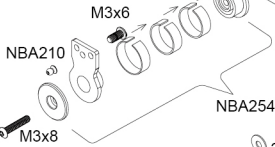
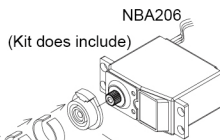
X4

3x6x0.5



NBA276

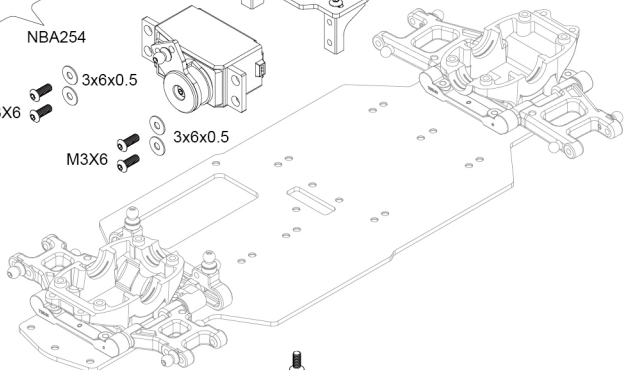
NBA206



NBA254

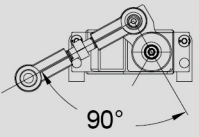
M3x6  
3x6x0.5

M3x6  
3x6x0.5



M3x6

### NOTE



90°

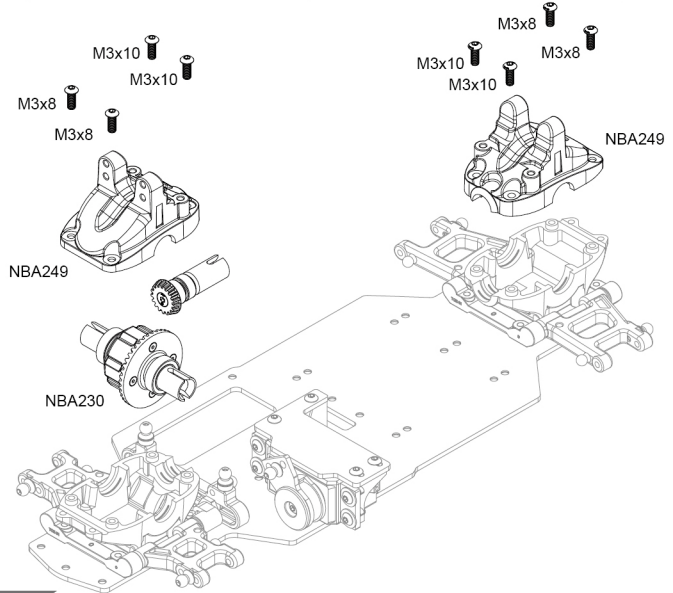


- 1: Switch on transmitter
- 2: Connecting battery and turn on ESC switch

## 11

X4  
NBA283  
M3x8mm

X4  
NBA282  
M3x8mm



## 12

X2  
NBA282  
M3x8

X4  
NBA283  
M3x10

X4  
NBA304  
2x10

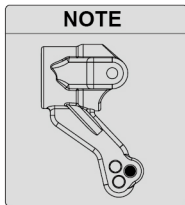
X6  
NBA298  
5x10x4

X4  
NBA212

X6  
NBA210

X2  
NBA289  
M3x8

X4  
NBA287  
M3x3

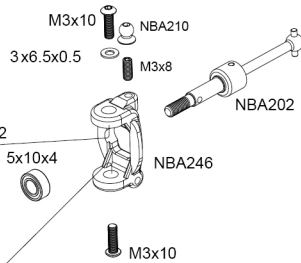


**L**

NBA210  
M3x10  
M3x8  
3x6.5x0.5

NBA202  
NBA246  
NBA212  
NBA210  
5x10x4

M3x10  
NBA251  
5x10x4  
M3x8  
M3x3  
NBA212  
2x10  
NBA213 (5mm)



**R**

### OPTION

NBA340



NBA341



## 13

# M210 FWD

NBA288  
M3x4

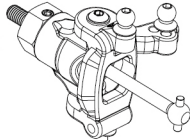
X2

R



NBA214  
3x23

X2

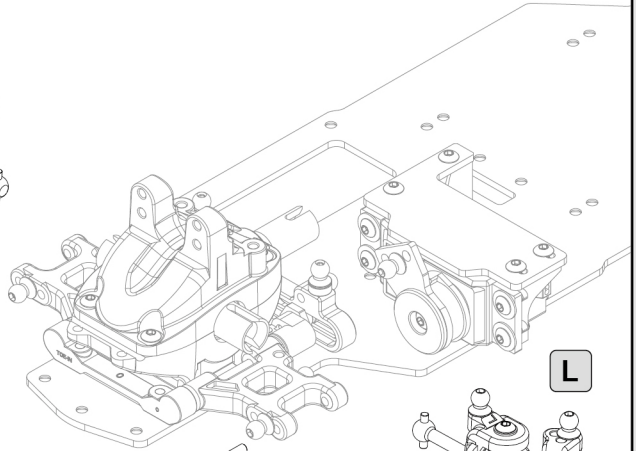


M3x4

NBA214

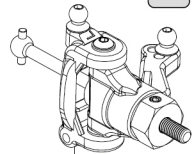
### NOTE

Tight Grub screw on the groove of the pin



L

NBA214



M3x4

## 14



X4

NBA298  
5x10x4



X2

NBA210



X2

NHA468

NBA290  
M3x10



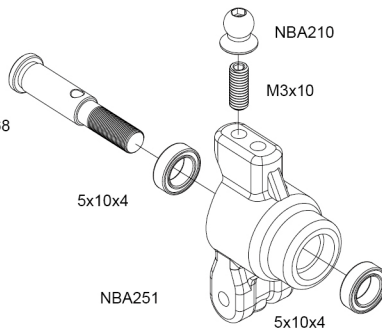
X2

NBA304  
2x10



X2

NBA287  
M3x3



NBA210

M3x10

5x10x4

NBA251

5x10x4

NBA304

### OPTION

NBA339



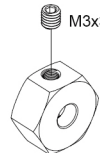
### OPTION

NBA343 12mm Hex Hub (6mm)

NBA344 12mm Hex Hub (7mm)



M3x3



NBA213 (5mm)



## 15

# M210 FWD

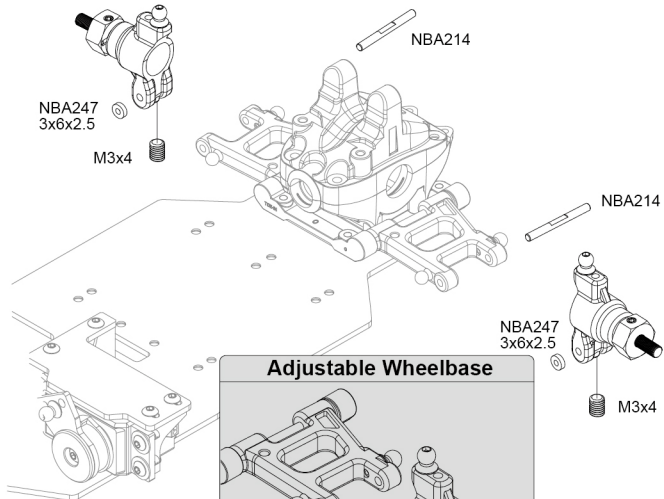
 X2  
NBA288  
M3x4

 X2

NBA214  
3x26

 X2

NBA247  
3x6x2.5



### Adjustable Wheelbase

Spacer in front : 210mm  
Spacer in rear : 208mm

### NOTE


Tight Grub screw on the groove of the pin



## 16

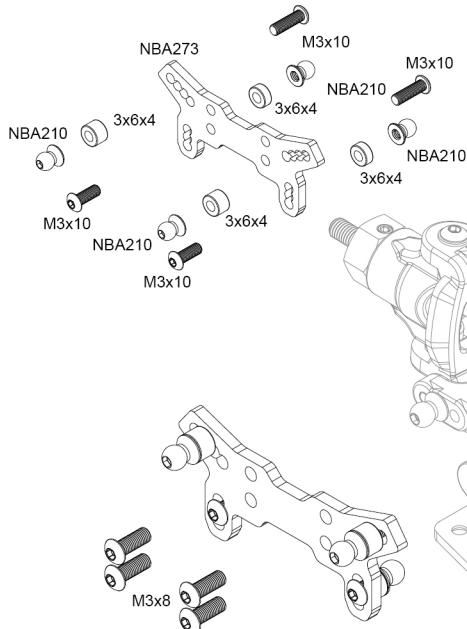
 X4  
NBA210

 X2  
NBA350  
3x6x4

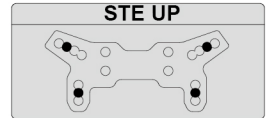
 X2  
NBA283  
M3x10

 X4  
NBA282  
M3x8

 X2  
NBA281  
M3x6mm



### STE UP





## 17

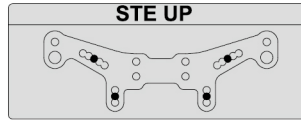
### REAR SHOCK TOWER

## M210 FWD



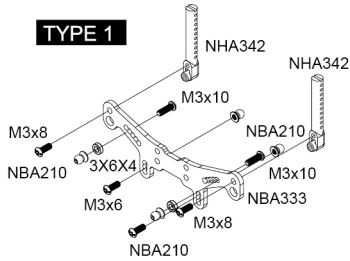
X4

### REAR SHOCK TOWER

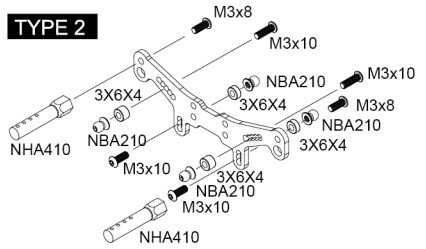


X2

#### TYPE 1



#### TYPE 2



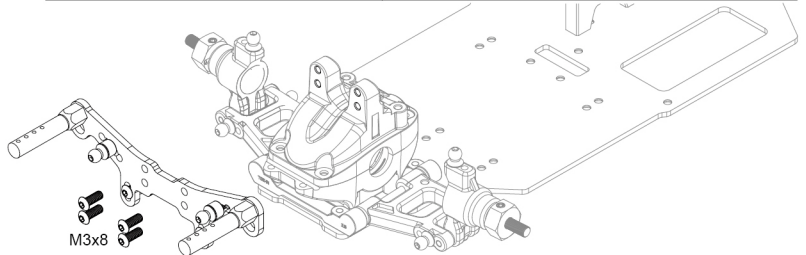
X2



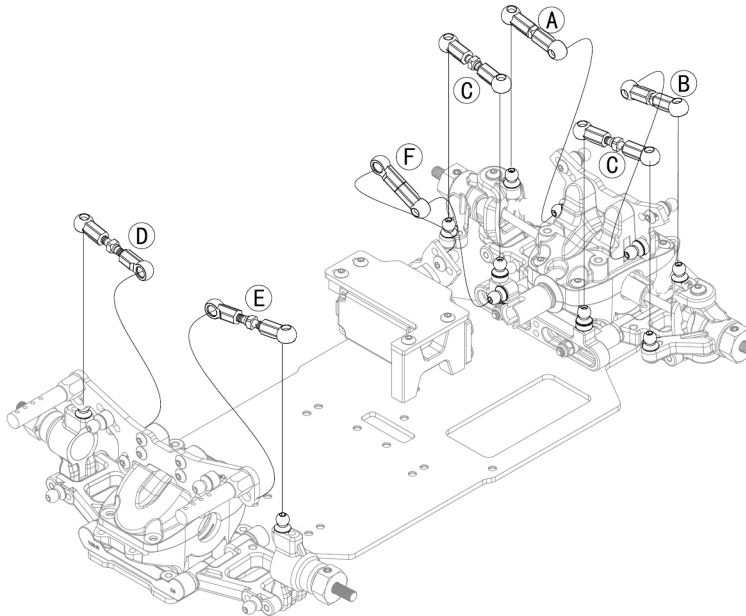
X6



X2



## 18



### Drift Car SET UP

- (A) x1 - Servo Saver
- (B) x2 - Steering
- (C-1) x1 - Front upper
- (C-2) x1 - Front upper
- (D-1) x1 - Rear upper
- (D-2) x1 - Rear upper



## 19

# M210 FWD



X8

NBA247



X4

NBA291  
M3x12



X4

NHA434



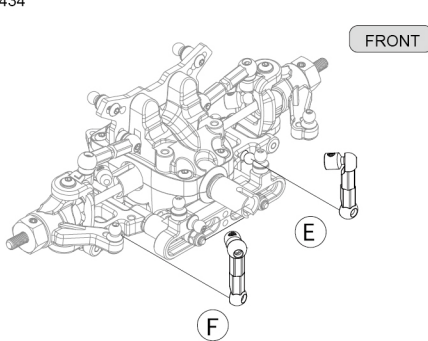
M3x12



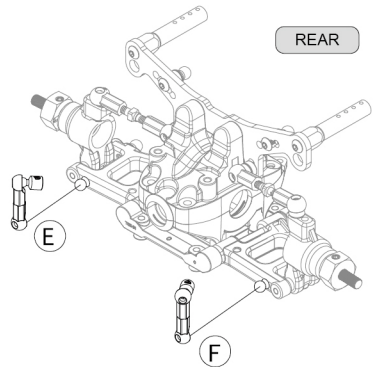
Ex2



Fx2



FRONT



REAR

## 20



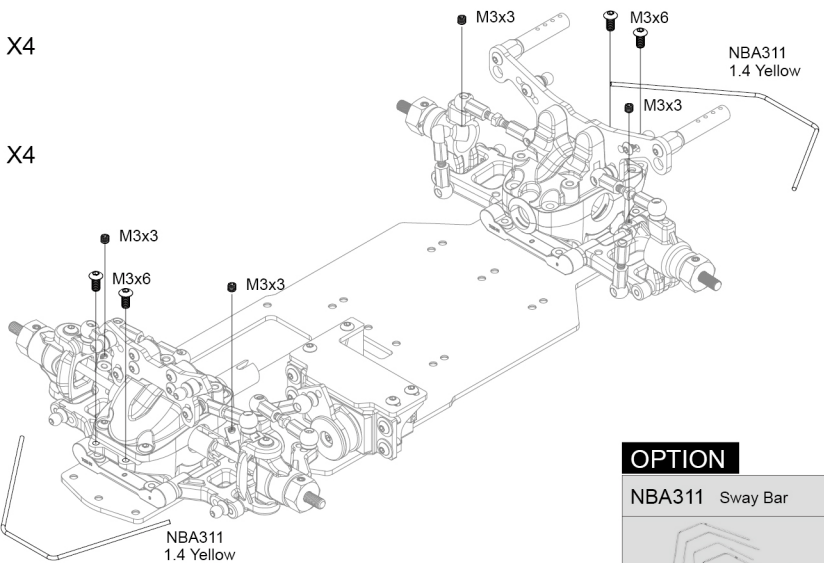
X4

NBA287  
M3x3



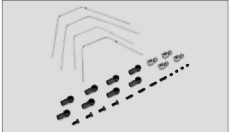
X4

NBA281  
M3x6



### OPTION

NBA311 Sway Bar



## 21

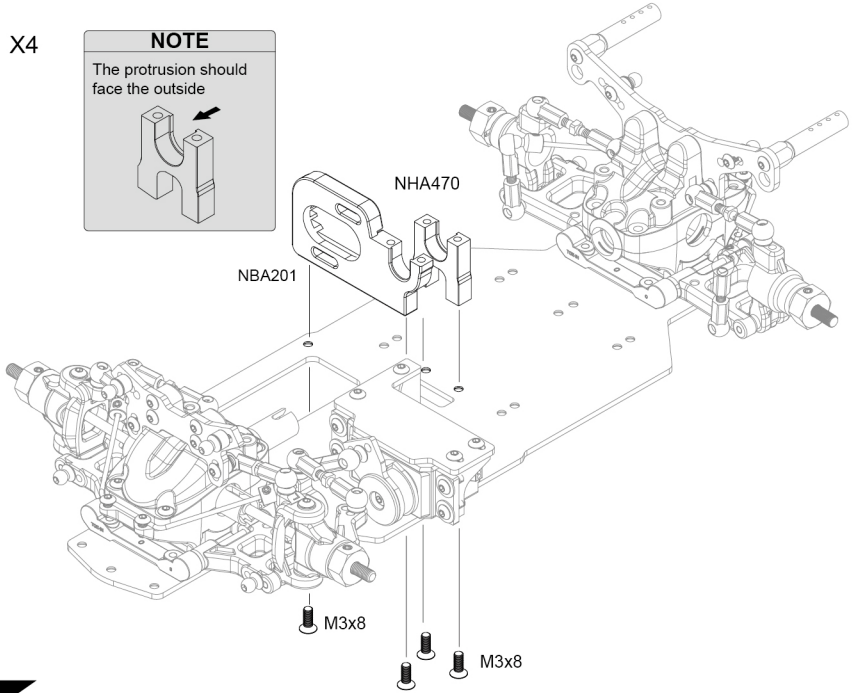
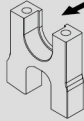


X4

NBA280  
M3x8mm

### NOTE

The protrusion should face the outside

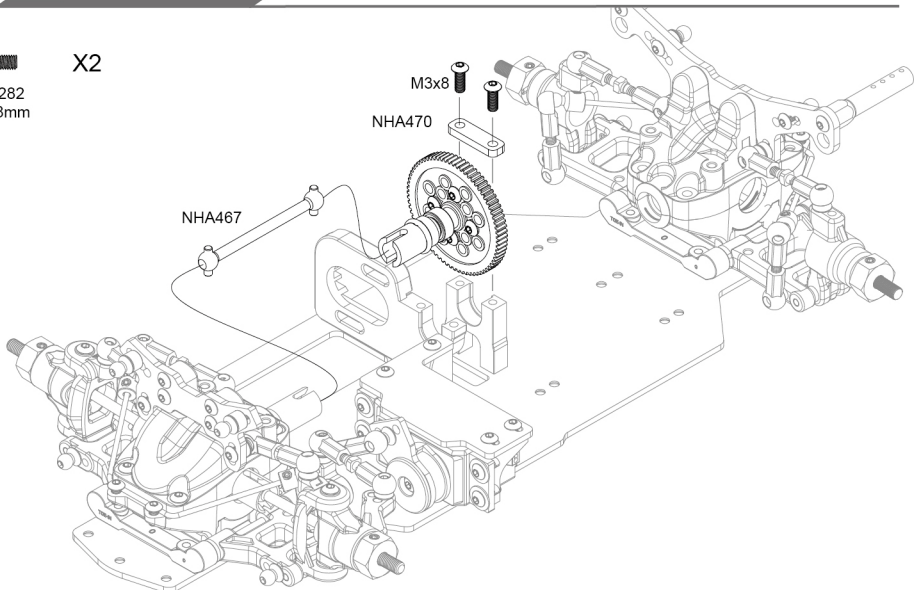


## 22







X2

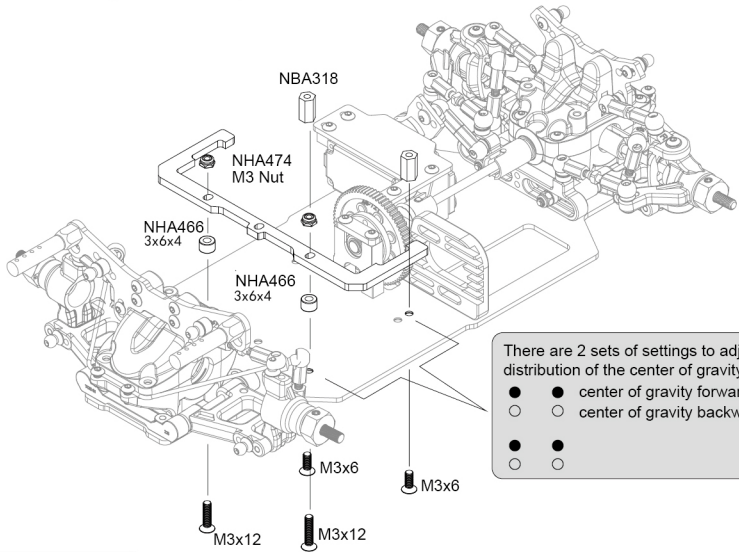
NBA282  
M3x8mm



## M210 FWD

### 23

-  X2  
NBA279  
M3x6mm
-  X2  
NHA466  
M3x12mm
-  X2  
NHA474  
M3 Nut (Thin)
-  X2

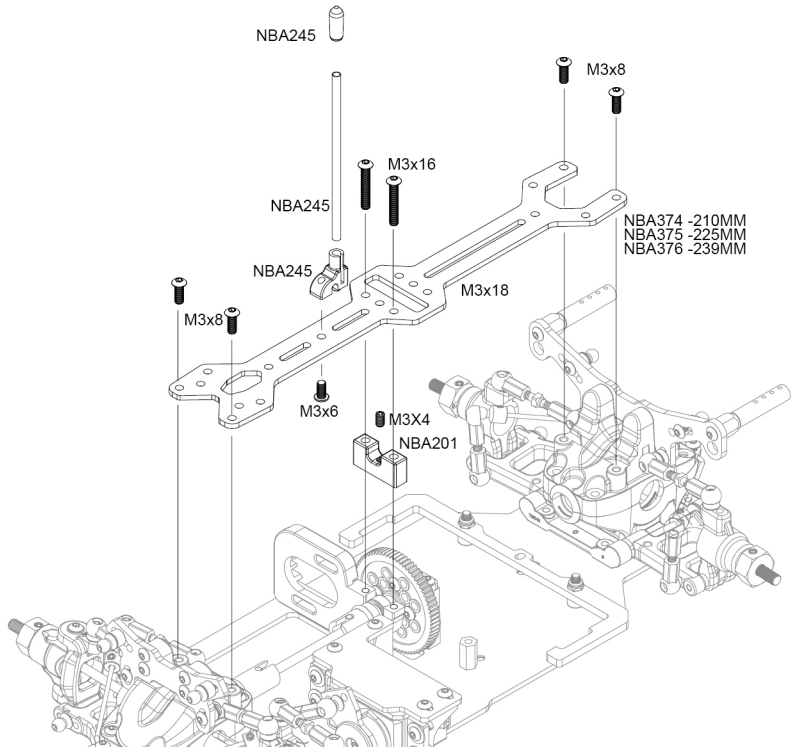


There are 2 sets of settings to adjust the distribution of the center of gravity

- ● center of gravity forward
- ○ center of gravity backwards

### 24

-  X1  
NBA288  
M3x4
-  X1  
NBA281  
M3x6mm
-  X4  
NBA282  
M3x8
-  X2  
NBA285  
M3x16

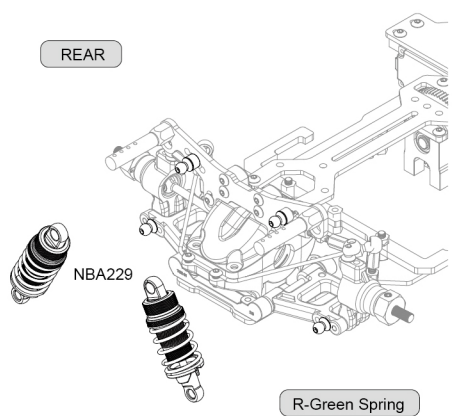
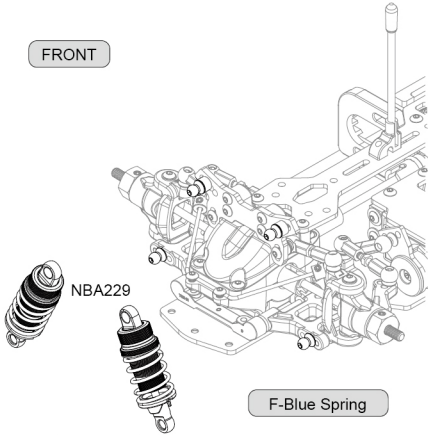


## 25

# M210 FWD

FRONT

REAR



F-Blue Spring

R-Green Spring

## 26



X2



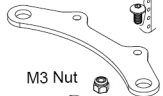
NBA305

M3x8



X1

NBA 294  
M3 Nut



NBA305

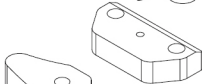
M3 Nut

NBA278



X2

NBA282  
M3x8mm



NHA473

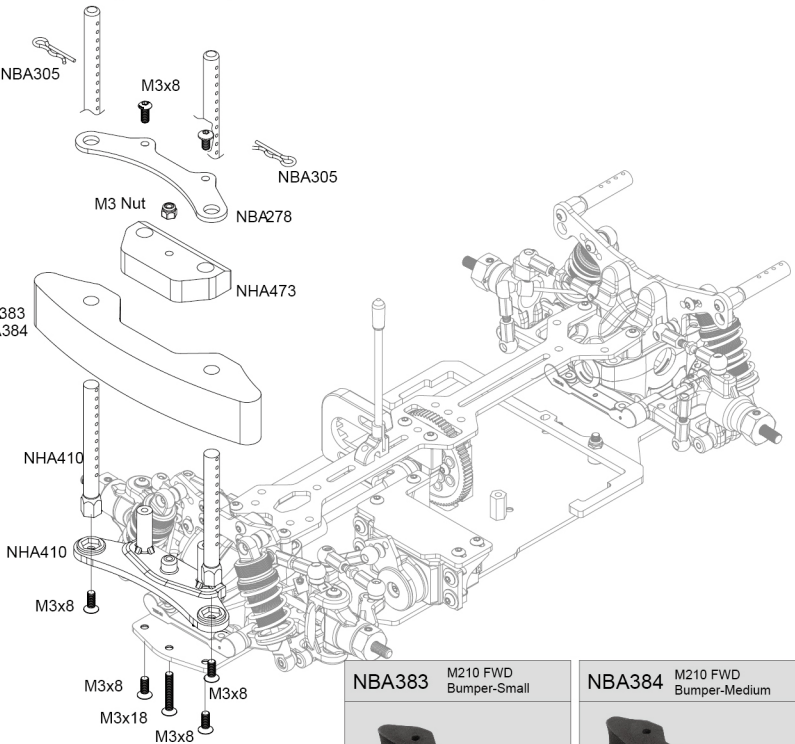


X4  
NBA383  
NBA384



X1

M3x18mm



NHA410

NHA410

M3x8

M3x8

M3x18

M3x8

M3x8

NBA383

M210 FWD  
Bumper-Small



NBA384


M210 FWD  
Bumper-Medium




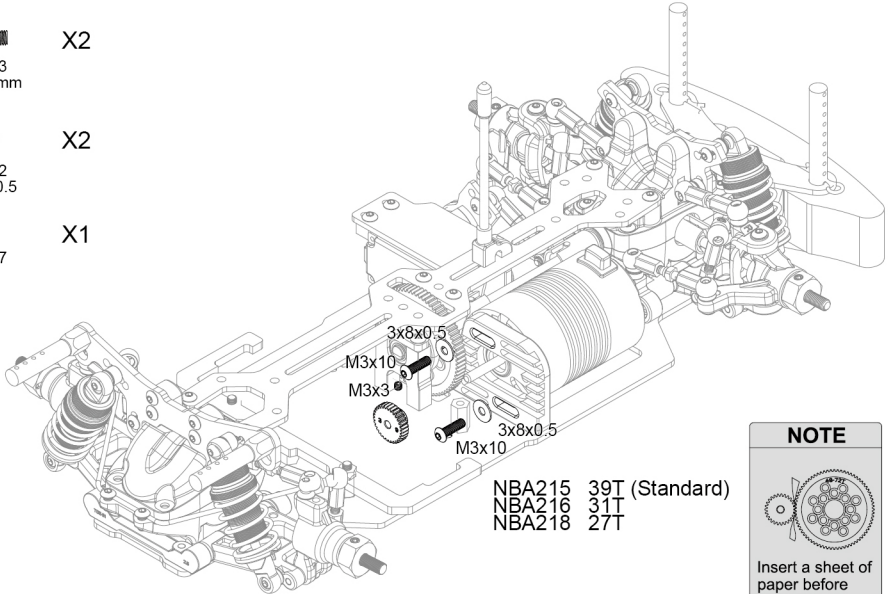
## 27

# M210 FWD

 X2  
NBA283  
M3x10mm

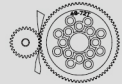
 X2  
NBA302  
3.1x8x0.5

 X1  
NBA287  
M3x3



NBA215 39T (Standard)  
NBA216 31T  
NBA218 27T

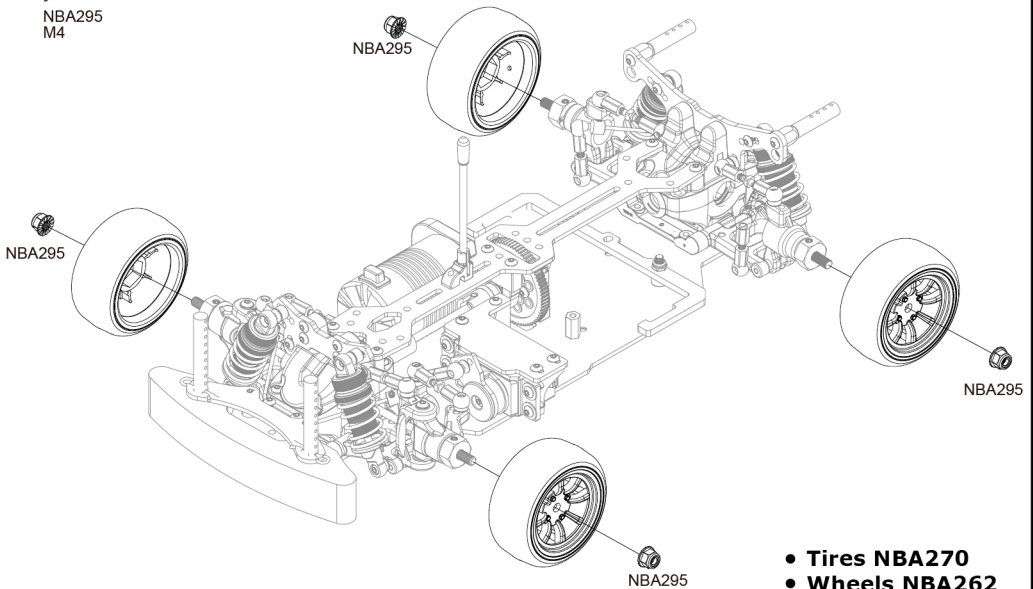
### NOTE



Insert a sheet of paper before installing.

## 28

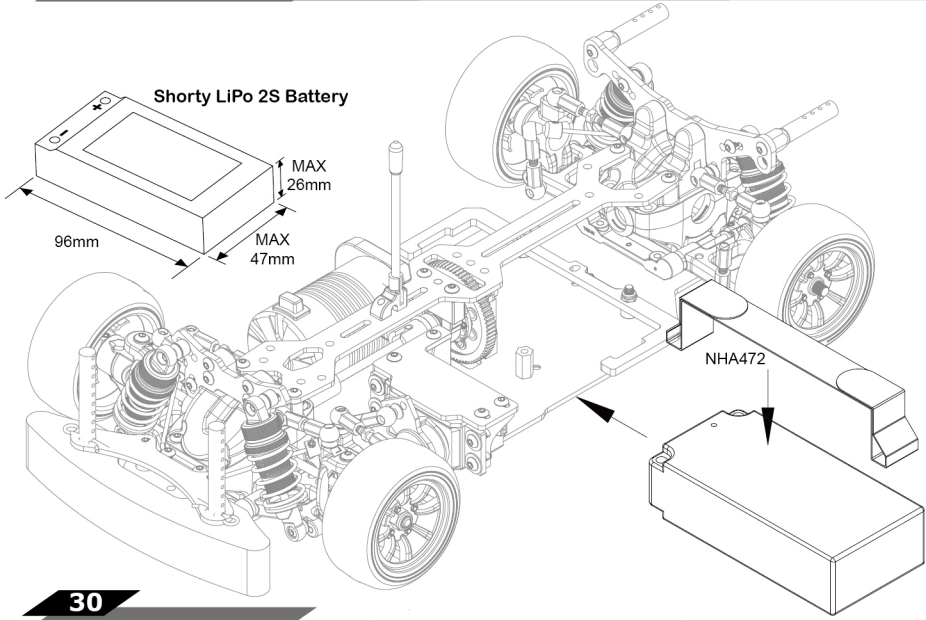
 X4  
NBA295  
M4



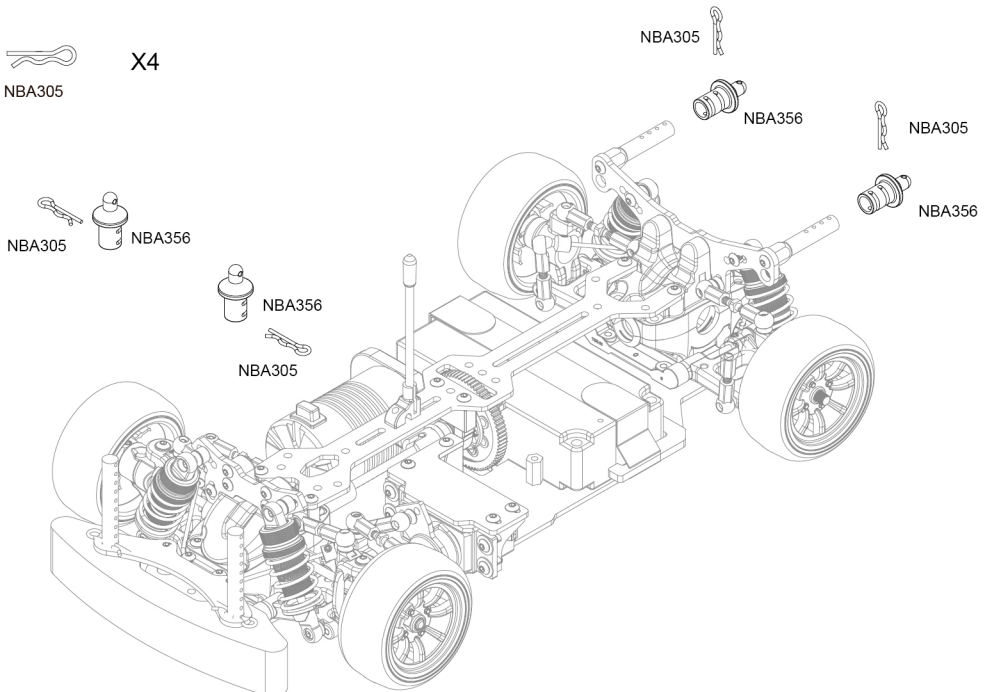
- Tires NBA270
- Wheels NBA262

29

## M210 FWD



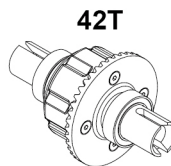
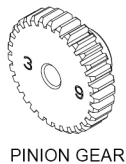
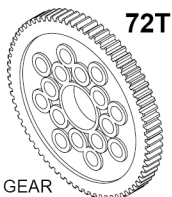
30





## GEAR RATIO

SPUR GAER		<b>M210 FWD</b>	
72		2.47 (INNER GEAR RATIO)	
PINION GEAR		GERA DIFF(42/17)	GEAR RATIO
21			8.47
22			8.08
23			7.73
24			7.41
25			7.11
26			6.84
27			6.59
28			6.35
29			6.13
30			5.93
31			5.74
32			5.56
33			5.39
34			5.23
35			5.08
36			4.94
37			4.81
38			4.68
39			4.56
40			4.45
41			4.34
42			4.23
43			4.14
44			4.04

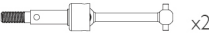


**NBA201** Motor Mount



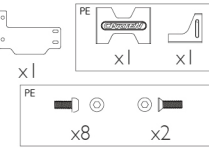
x1 x1

**NBA202** Universal Shafts



x2

**NBA206** Servo Mount Set



x1 x1 x1  
x8 x2

**NBA207** 17T Metal Bevel Gear (Gear Diff)



x2 x2

**NBA208** Tumbuckle Set (M3x12 /M3x19)



x2 x5

**NBA209** Steering Bolt



x2

**NBA210** 4.8x6 mm Ball Stud



x10

**NBA211** Pivot Ball Stud



x10

**NBA213** 12MM Hex Hub



x4 x4 x4

**NBA214** 39T-48P Pinon Gear (Aluminum)



x4  
x2 x2

**NBA215** 39T-48P Pinon Gear (Aluminum)



x1 x1

**NBA216** 31T-48P Pinon Gear (Metal)



x1 x1

**NBA217** 31T-48P Pinon Gear (Aluminum)



x1 x1

**NBA218** 37T-45P Pinon Gear (Metal)



x1 x1

**NBA219** Shock Parts(O-rings)



x4 x8



x4 x4

**NBA220** Shock Body sets (Aluminum)



x2 x2



x2 x2

**NBA221** Shock shafts



x4 x4

**NBA222** Shock Body (Aluminum)



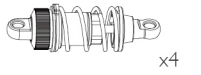
x2

**NBA223** Shock Parts



x2 x2 x2 x2 x2 x2 x2 x2 x2 x2

**NBA228** Shock Set(Plastic)



x4



x4



x4 x4

**NBA229** Shock Set (Aluminum)



x4



x4



x4 x4

**NBA230** Gear Differential



x2 x6

**NBA231** Gear Diff Case



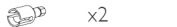
x1 x4

**NBA232** 42T Bevel Gear (Metal)



x1 x4

**NBA233** Gear Diff Cup Joint



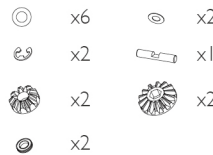
x2

**NBA234** Gear Diff Oring



x4

**NBA235** Gear Diff Bevel Gear Set



x6 x2 x2 x1 x2 x2 x2 x2

**NBA236** Ball Diff Parts Set



x1 x1 x1 x1 x1 x1 x1 x1

**NBA237** Diff Ball (3/32)



x12

**NBA238** Ball Diff Screw Set



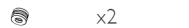
x1 x1

**NBA239** Ball Diff Shim



x2

**NBA240** Thrust Bearing



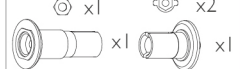
x2

**NBA241** Diff gears (Ball Diff)



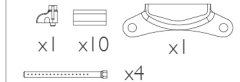
x1 x1

**NBA244** Ball Diff cup joint (Metal)



x1 x2 x1 x1

**NBA245** Front Bumper Hold And Body Mount



x1 x10 x1 x4

**NBA246** Front Hub Carrier L/R



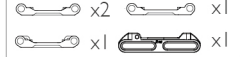
x1 x1

**NBA247** Ball End (4.8mm)



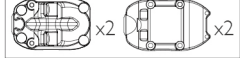
x8 x2

**NBA248** Suspension Mount Parts



x2 x1 x1 x1

**NBA249** Gear box



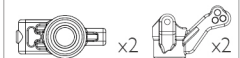
x2 x2

**NBA250** Arms Set (F and R)



x2 x2

**NBA251** Hub carrier



x2 x2

**NBA252** Spur Gear 72T



x1

**NBA253** Hex Hub (5MM)



x4 x4

**NBA254** Servo Saver



x1 x1 x1 x1 x2 x1

**NBA256** Bumper For Sedan Body



x1

**NBA257** Bumper For Hatchback Body



x1



**NBA259** Antenna Pipe

**NBA260** 8 Spoke Wheel +1mm (Silver)

**NBA261** 8 Spoke Wheel +1mm (Gray)

**NBA262** 8 Spoke Wheel +1mm (Black)

**NBA263** 8 Spoke Wheel +4mm (Silver)

**NBA264** 8 Spoke Wheel +4mm (Gray)

**NBA265** 8 Spoke Wheel +4mm (Black)

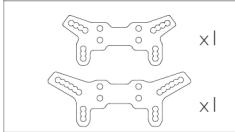
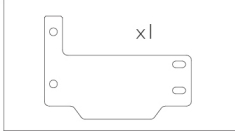
**NBA266** 10 Spoke Wheel +1mm (Silver)

**NBA267** 10 Spoke Wheel +1mm (Gray)

**NBA268** 10 Spoke Wheel +4mm (Silver)

**NBA269** 10 Spoke Wheel +4mm (Gray)

**NBA270** Tires

**NBA273** Shock Tower (Front&Rear)

**NBA276** Servo Plate

**NBA277** Bumper Plate (For Hatchback Body)

**NBA278** Bumper Plate (For Sedan Body)

**NBA279** Screw Set - FH M3x6

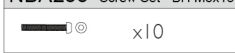
**NBA280** Screw Set - FH M3x8

**NBA281** Screw Set - BH M3x6

**NBA282** Screw Set - BH M3x8

**NBA283** Screw Set - BH M3x10

**NBA284** Screw Set - BH M3x12

**NBA285** Screw Set - BH M3x18

**NBA286** Screw Set - FH M2x8

**NBA287** Set Screw M3x3

**NBA288** Set Screw M3x4

**NBA289** Set Screw M3x8

**NBA290** Set Screw M3x10

**NBA291** Set Screw M3x12

**NBA292** Set Screw M3x18

**NBA293** Set Screw M3x20

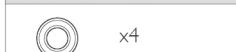
**NBA294** M3 Nut

**NBA295** M4 Nut

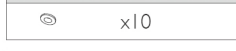
**NBA296** Bearing 3X6X2.5

**NBA297** Bearing 5\*8\*2.5

**NBA298** Bearing 5X10X4

**NBA299** Bearing 10X15X4

**NBA300** Spacer Set 3X6X2.5

**NBA301** Washer (3\*6.5\*0.5 mm)

**NBA302** Washer (3\*8\*0.5 mm)

**NBA303** E-Clip

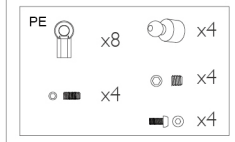
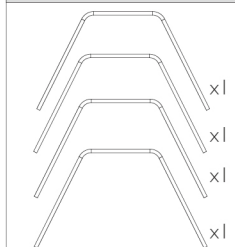
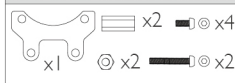
**NBA304** Pin2X10

**NBA305** Body pinS

**NBA306** O-Ring

**NBA307** Washer (11\*14\*0.2 mm)

**NBA309** Ball Differential(Metal)

**NBA311** Sway Bar

**NBA312** Fan Holder (For 30mm Fan)

**NBA313** Pivot Block (ALUMINUM) 3°

**NBA314** Pivot Block (ALUMINUM) 0°

**NBA315** Pivot Block (ALUMINUM) 2.5°


**NBA316** Pivot Block (ALUMINUM)



**NBA317** Steering Mount (ALUMINUM)

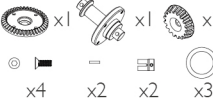

**NBA318** Aluminum Hex 5.5 x 10mm  
 x10



**NBA319** 10 Spoke Wheel +1mm (Black)  
 x4

**NBA320** 10 Spoke Wheel +4mm (Black)  
 x4

**NBA321** Solid Axle(40T/17T Plastic)  
 x2 x2 x2 x3 x2 x1 x3

**NBA322** Plastic 40T/17T Bevel Gear (For Solid Axle)  
 x2  x2


**NBA323** Solid Axle(42T/17T Metal)  
 x1 x1 x1 x1 x4 x2 x2 x3



**NBA325** 42T Metal Bevel Gear (for Solid Axle)  
 x1  x4


**NBA327** Metal Center Cup Joint (For Gear Diff)  
 x1  x1  
 x4  x4


**NBA330** M-Rally Tires + Wheels 10 Spoke White +1mm (4PCS)  



**NBA331** M-Rally Tires (4PCS)  


**NBA332** Strong Ball End 4.8mm (4PCS)  
 x4

**NBA333** Rear Shock Tower (For Sedan Body)  
 x1  
 x2

**NBA334** Strong Ball End 4.8mm (Long 4PCS)  
 x4

**NBA336** Bumper For Touring Car Body  
 x1


**NBA337** Bumper Plate & Body Post Spacer  
 x4 x1




**NBA338** Pivot Block (ALUMINUM) 2.0"  
 x1




**NBA339** ALUMINUM REAR HUB  
 x2


**NBA340** Aluminum C Hub(L/R)  
 x1 x1

**NBA341** Aluminum Steering Blocks  
 x1 x1


**NBA342** Body Post (Rear)  
 x4


**NBA343** 12mm Hex Hub (6mm)  
 x4  
 x4  x4


**NBA344** 12mm Hex Hub (7mm)  
 x4  
 x4  x4


**NBA346** ALUMINUM SPACER 3\*6\*0.5 (8PCS)  
 x8

**NBA347** ALUMINUM SPACER 3\*6\*1.0 (8PCS)  
 x8

**NBA348** ALUMINUM SPACER 3\*6\*2.0 (8PCS)  
 x8

**NBA349** ALUMINUM SPACER 3\*6\*3.0 (8PCS)  
 x8

**NBA350** ALUMINUM SPACER 3\*6\*4.0 (8PCS)  
 x8

**NBA351** M3 Nylon Lock Nut(4PCS)  
 x4

**NBA352** M4 Nylon Lock Nut(4PCS)  
 x4


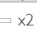
**NBA353** M4 Serrated Lock Nut(4PCS)  
 x4

**NBA354** Solid Axle Steel Cup Joint  
 x2  x2

**NBA355** 23T Brushed Motor  
 x1


**NBA356** Extended Body Post(6mm)  
 x4  x4

**NBA357** Gear Diff Cup Joint (Heavy Duty)  
 x2  x2


**NBA358** Solid Axle Steel Cup Joint (Heavy Duty)  
 x2  x2








**NBA360** Spur Gear 68T (Heavy Duty Steel)  
 x1

**NBA361** CVD Pin  
 x4

**NBA362** Shock Spacer  
 x4

**NBA363** Shock Pistons-3H1.2  
 x4

**NBA364** Shock Pistons-4H1.1  
 x4

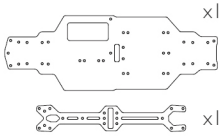
**NBA369** Battery holder  
 x2  x2  
 x2  x2  
 x2  x2  
 x2

**NBA370** Bevel Gear Set  
 x2  x1  x2

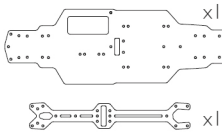
**NBA371** M-Rally Tires+Wheels 10 Spoke Gray+1mm (4PCS)  


**NBA372** M-Rally Tires+Wheels 10 Spoke Black+1mm (4PCS)  

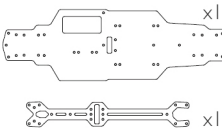

**NBA374** M210 FWD Chassis&Upper Deck (WB210mm)



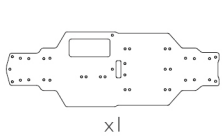
**NBA375** M210 FWD Chassis&Upper Deck (WB225mm)



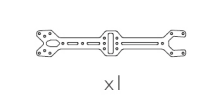
**NBA376** M210 FWD Chassis&Upper Deck (WB239mm)



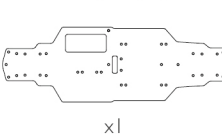
**NBA377** M210 FWD Chassis (WB210mm)



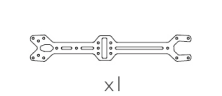
**NBA378** M210 FWD Upper Deck (WB210mm)



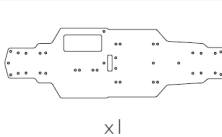
**NBA379** M210 FWD Chassis (WB225mm)



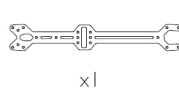
**NBA380** M210 FWD Upper Deck (WB225mm)



**NBA381** M210 FWD Chassis (WB239mm)



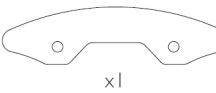
**NBA382** M210 FWD Upper Deck (WB239mm)



**NBA383** M210 FWD Bumper-Small



**NBA384** M210 FWD Bumper-Medium



**NHA420** Ball stud 4.8x9



**NHA440** 12mm HEX (T 5mm/8mm)



**NHA442** 5\*7\*0.5 washers



**NHA443** 5\*7\*0.2 washers



**NHA457** Shock Spring 1.4\*20mm (White)



**NHA458** Shock Spring 1.4\*20mm (Blue)



**NHA459** Shock Spring 1.4\*20mm (Yellow)



**NHA460** Shock Spring 1.4\*20mm (Red)



**NHA461** Shock Spring 1.4\*20mm (Green)



**NHA462** Shock Spring 1.4\*20mm (Purple)



**NHA463** T410FWD Spur Gear Mount



**NHA466** T410FWD Battery Holder



**NHA467** T410FWD Center Drive Shaft



**NHA468** T410FWD Rear Axles



**NHA470** T410FWD AL-Gear Mount



**NHA472** Battery Strap



**NHA473** T410FWD Front Weight



**NHA474** M3 Thin Nylon Locking Hex Nut



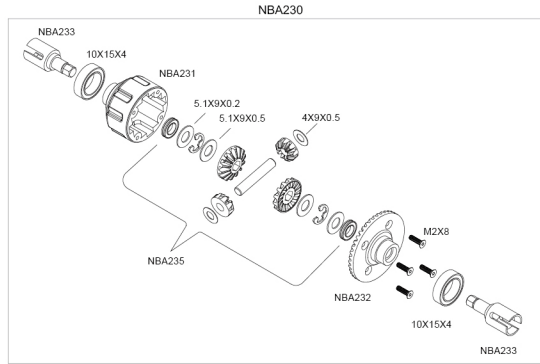
**NHA475** Heavy duty gear diff set



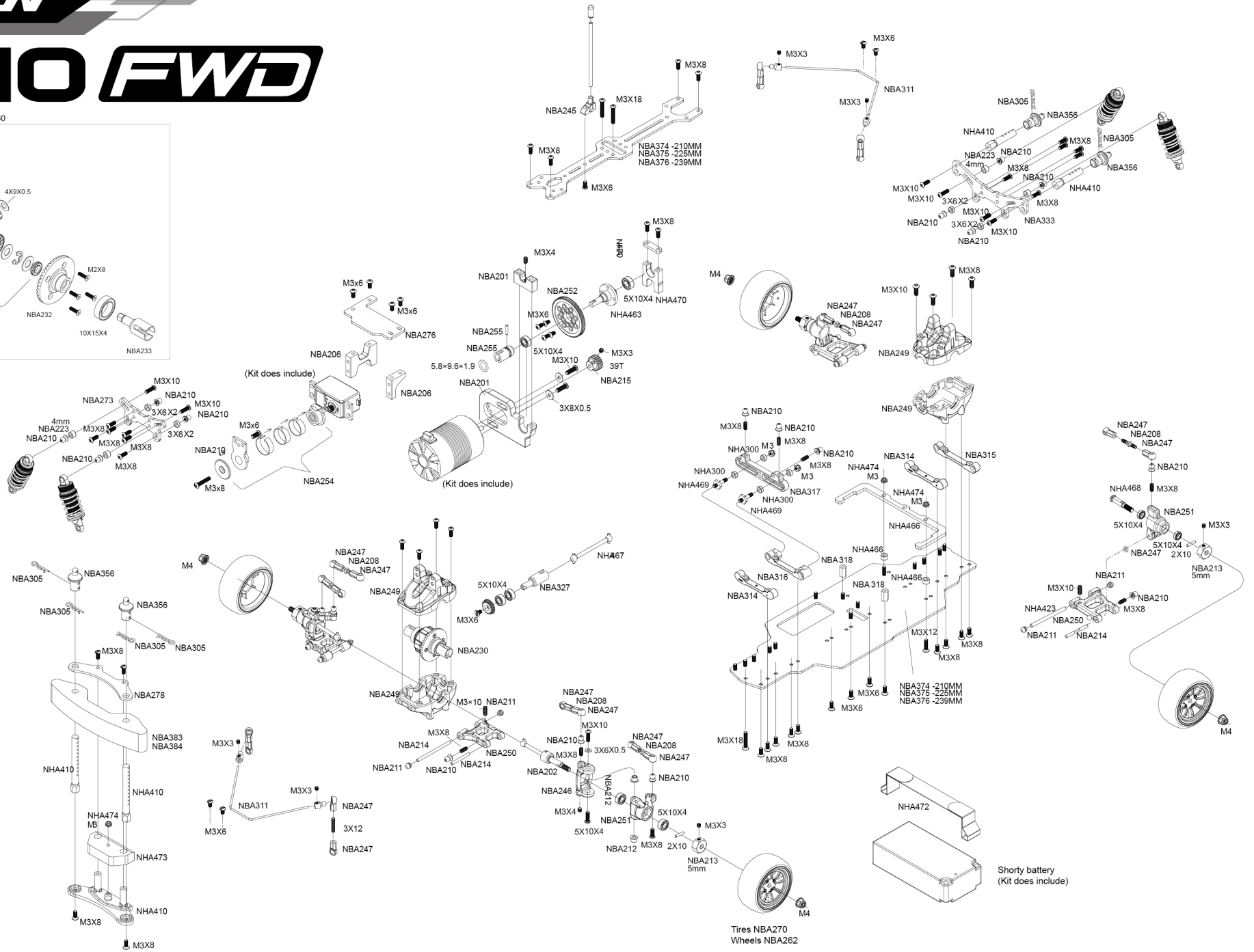
**NHA476** T410 FWD Bumper



# M210 FWD



- NBA229
  - NBA220
  - NBA223
  - NBA219
  - NBA221
  - NBA222
  - NBA220
  - NBA219
  - NBA223
  - NBA220
  - NHA457(White) **HARD**
  - NHA458(Blue)
  - NHA459(Yellow)
  - NHA460(Red)
  - NHA461(Green)
  - NHA462(Purple)
  - NBA223
  - NBA334(Rally)
- ↑ HARD  
↓ SOFT



Shorty battery (Kit does include)

Tires NBA270  
Wheels NBA262



A series of horizontal dotted lines for writing, spanning the width of the page.



1/10 EP M-CHASSIS  
**M210 FWD**



CARTEN RC Website

 [service@carten-rc.com](mailto:service@carten-rc.com)