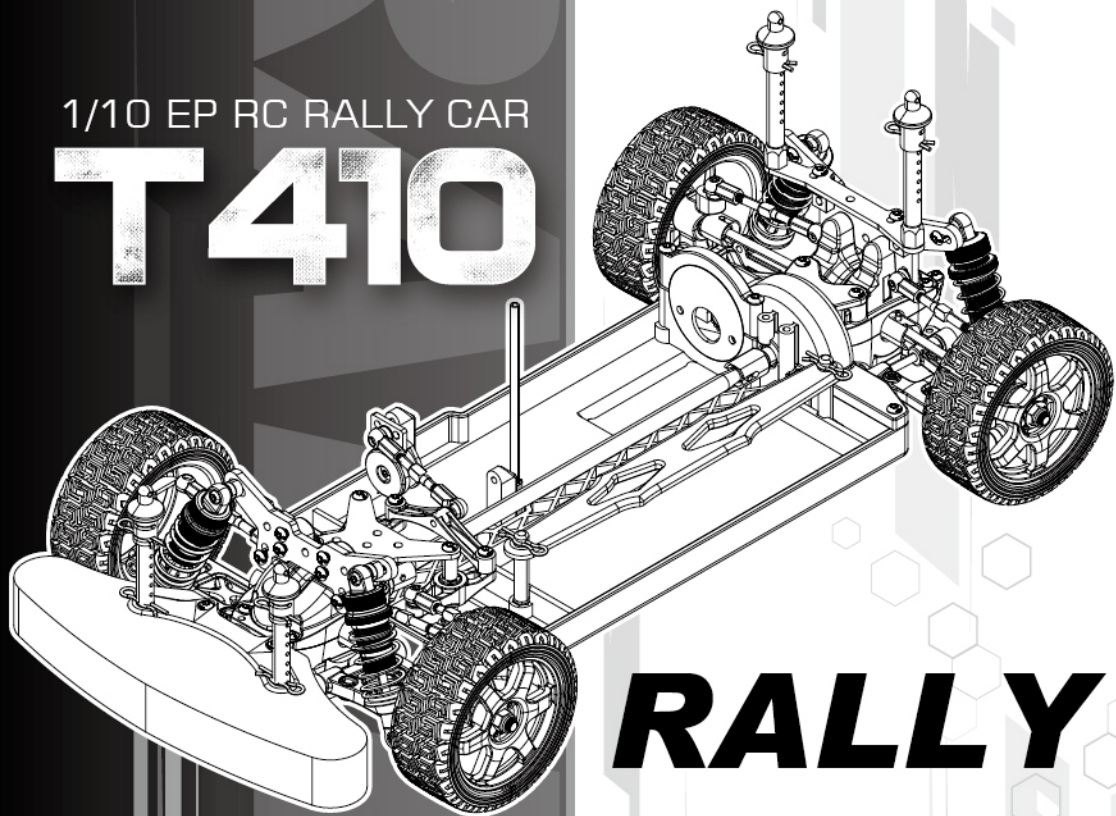


CARTEN®

1/10 EP RC RALLY CAR

T410



RALLY

INSTRUCTION MANUAL

4WD SHAFT
DRIVEN



SHAFT DRIVEN



ELECTRICAL POWER

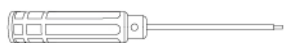
WWW.CARTEN-RC.COM

CAUTION

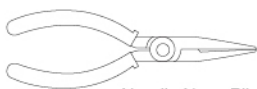
T410 RALLY

Notice: Thank you for choosing the carten T410 Rally
The following items are needed for completion of the KIT, They are not included with this kit (unless noted), and should be obtained from your local hobby shop.
Be sure to read the instructions completely prior to assembly.

Tools needed To Assemble



Hex Wrenches(1.5mm / 2.0mm / 2.5mm)



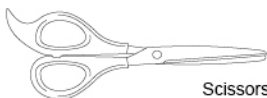
Needle Nose Pliers



CA Glue



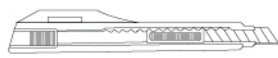
Box Wrench(5.5mm / 7mm / 10mm)



Scissors



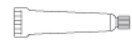
Instant Glue



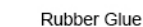
Hobby Knife



Glass or Vinyl Tape

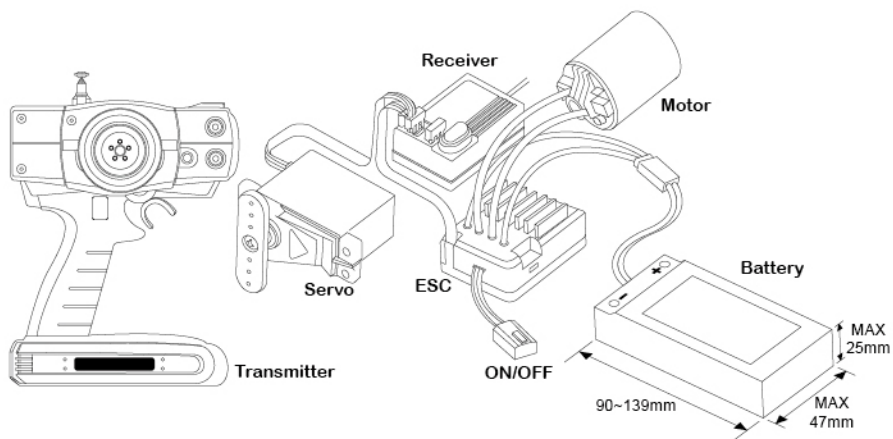


Screw (Sement)



Rubber Glue

Items Needed To Control Car



T410 RALLY

CARTEN T410 1/10 EP RALLY CAR

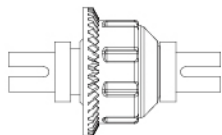
Specification

Drivetrain	Shaft Drive 4WD
Track Width	188 mm
Wheelbase	257~260 mm
Internal ratio	2.47 (42/17T)
Gear Ratio	6.59
Tire Diameter	70 mm

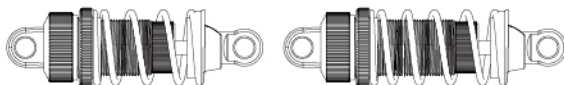
Accessories

Full Bearing	Aluminum Spur Gear Hub
Steel CVD Drive Shaft	Rally Aluminum Shocks
Carbon fiber Shock Tower , Front Upper Steering Deck , Rear Body Post Plate	Metal Gear Differential
Aluminum Motor Mount	Full Turnbuckle
Aluminum Center Drive Shaft	Chassis cover

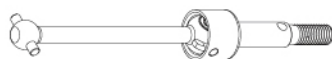
Metal Gear Diff



Rally shocks



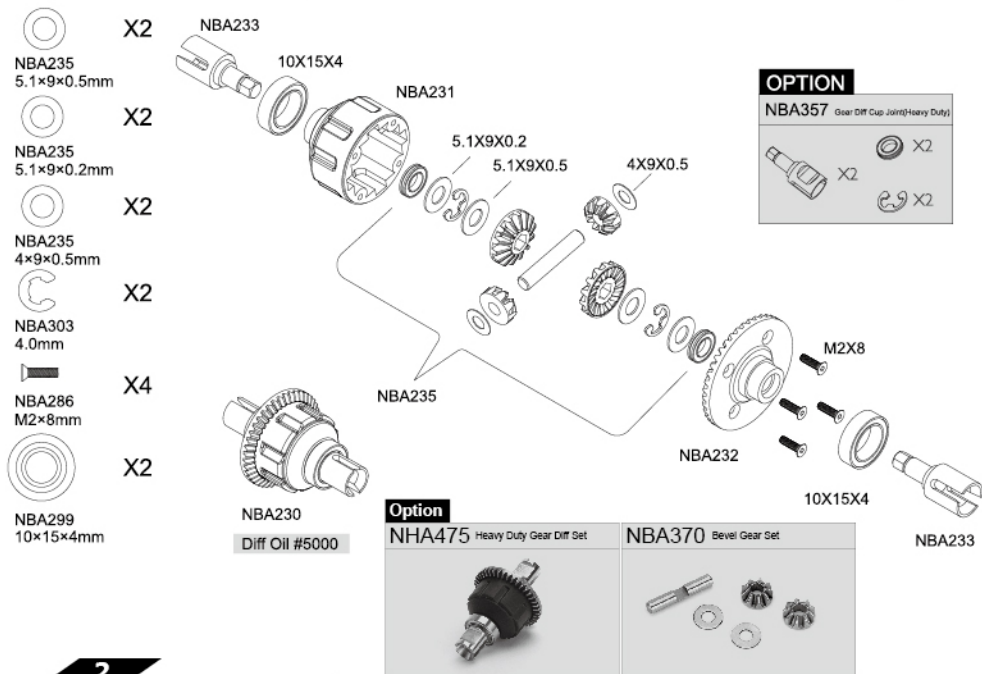
Turnbuckle



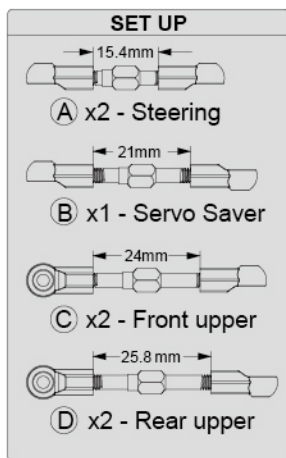
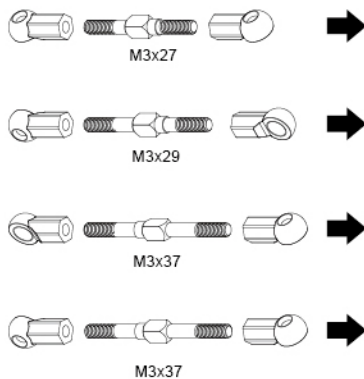
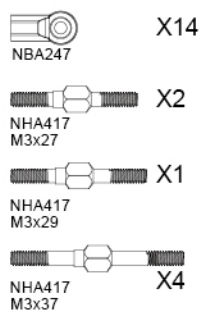
CVD Drive Shaft

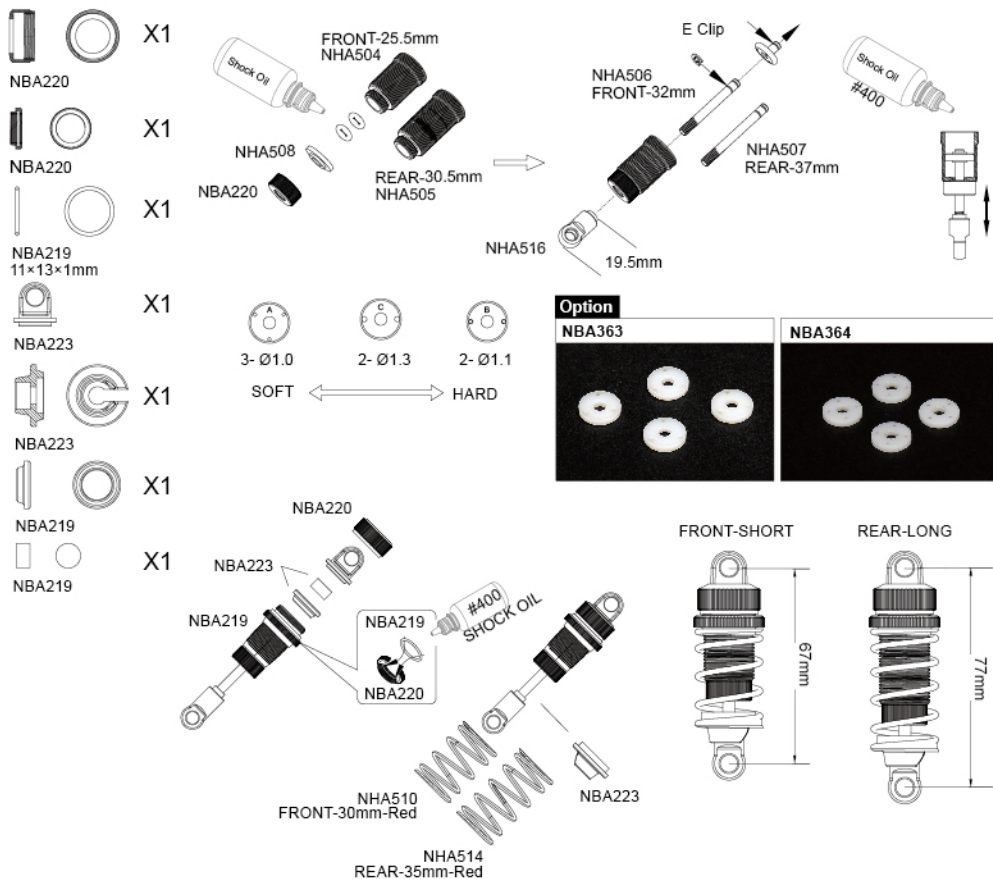
T410 RALLY

1



2





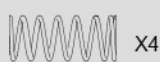
FOR FRONT SHOCK

NHA509 Shock spring (1.1X30.5mm)/Yellow



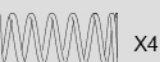
X4

NHA510 Shock spring (1.1X30.5mm)/Red-Soft



X4

NHA511 Shock spring (1.1X30.5mm)/Green

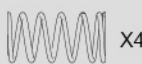


X4

HARD \longleftrightarrow SOFT

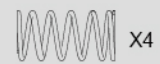
FOR REAR SHOCK

NHA512 Shock spring (1.1X30.5mm)/Blue



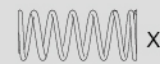
X4

NHA513 Shock spring (1.1X30.5mm)/Yellow



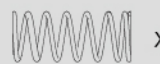
X4

NHA514 Shock spring (1.1X30.5mm)/Red-Soft



X4

NHA515 Shock spring (1.1X30.5mm)/Green



X4

T410 RALLY

4



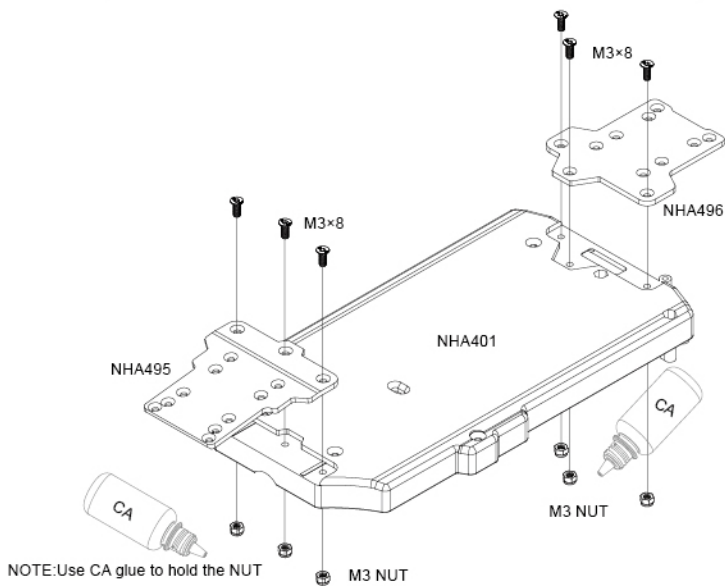
X6

NBA280
M3×8mm



X6

NBA294
M3 NUT



5

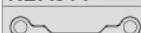


X6

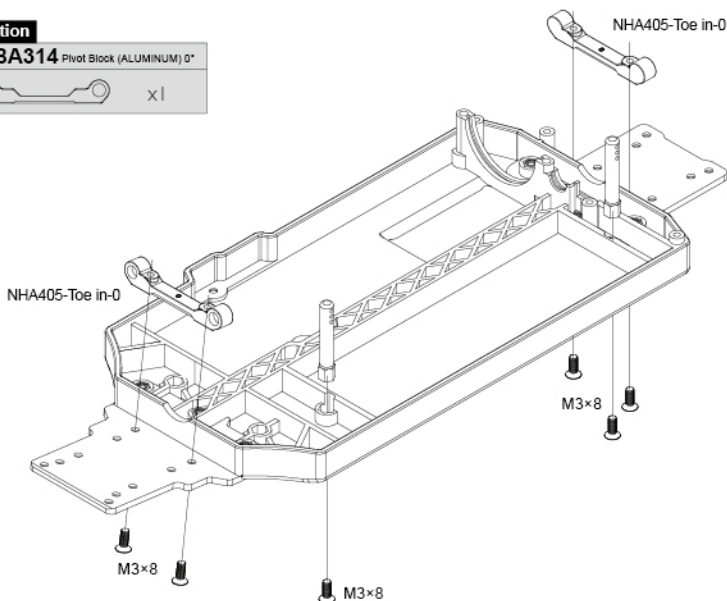
NBA280
M3×8mm

Option

NBA314 Pivot Block (ALUMINUM) 0"



x1



T410 RALLY

6



X8

NBA210



X8

NBA211



X4

NBA280
M3x8mm



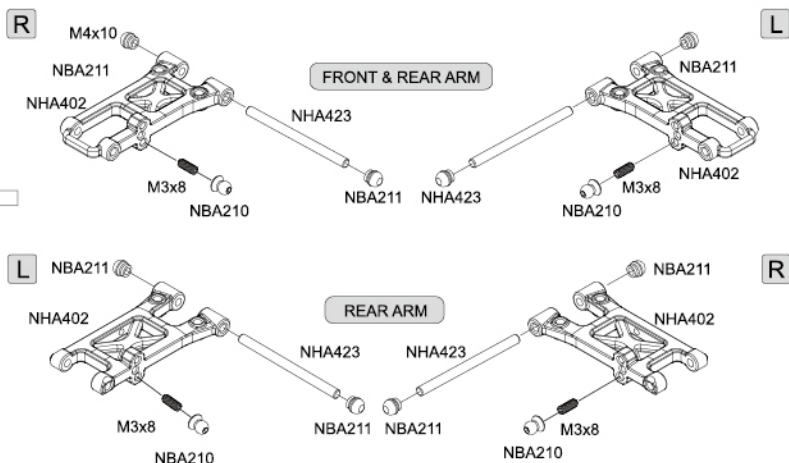
X4

NHA423
3x42



X8

NBA289
M3x8mm



7



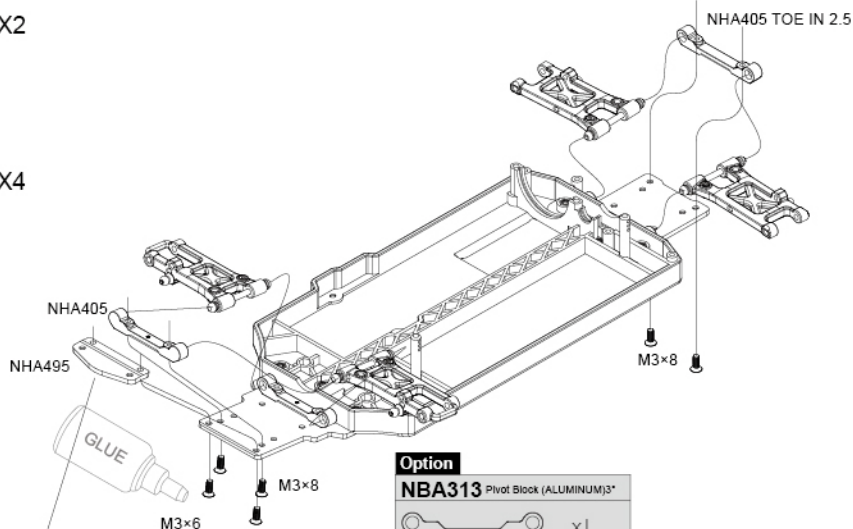
X2

NBA279
M3x6mm



X4

NBA280
M3x8mm



Installation direction

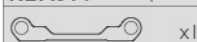
Option

NBA313 Pivot Block (ALUMINUM) 3°



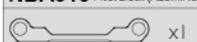
x |

NBA314 Pivot Block (ALUMINUM) 0°



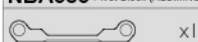
x |

NBA315 Pivot Block (ALUMINUM) 2.5°



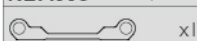
x |

NBA385 Pivot Block (ALUMINUM) 1.5°



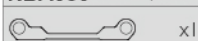
x |

NBA338 Pivot Block (ALUMINUM) 2.0°



x |

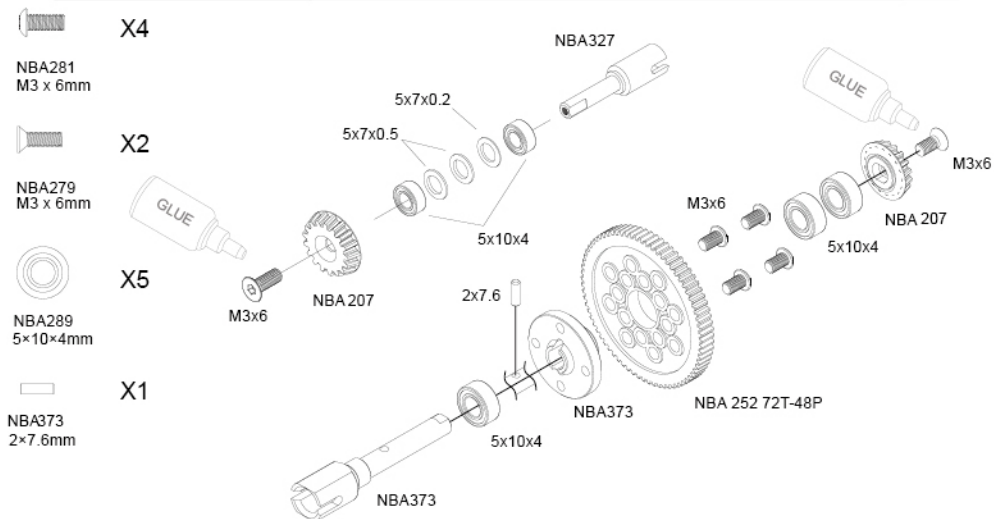
NBA386 Pivot Block (ALUMINUM) 1.0°



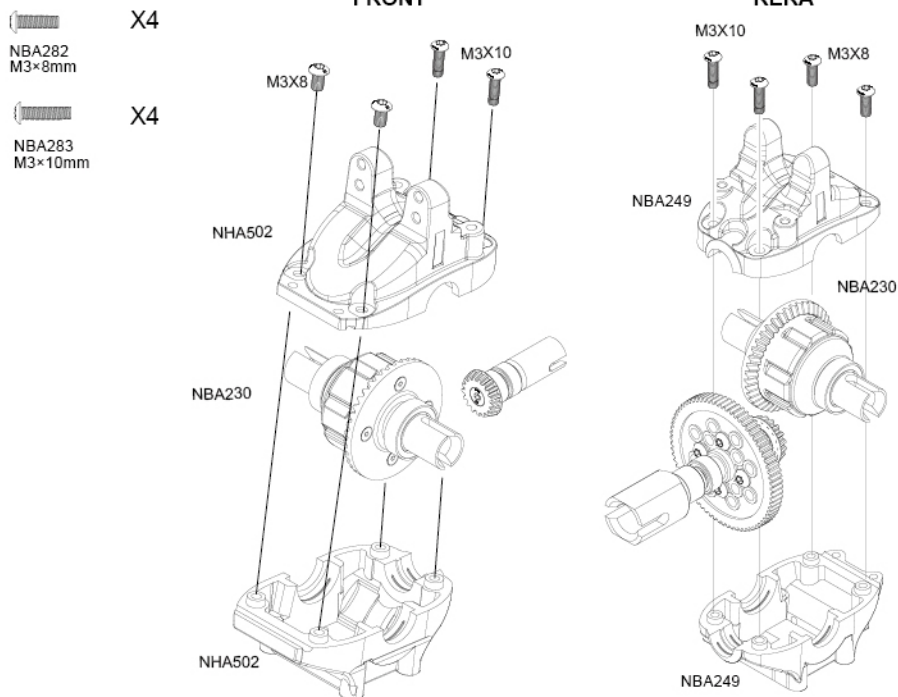
x |

T410 RALLY

8




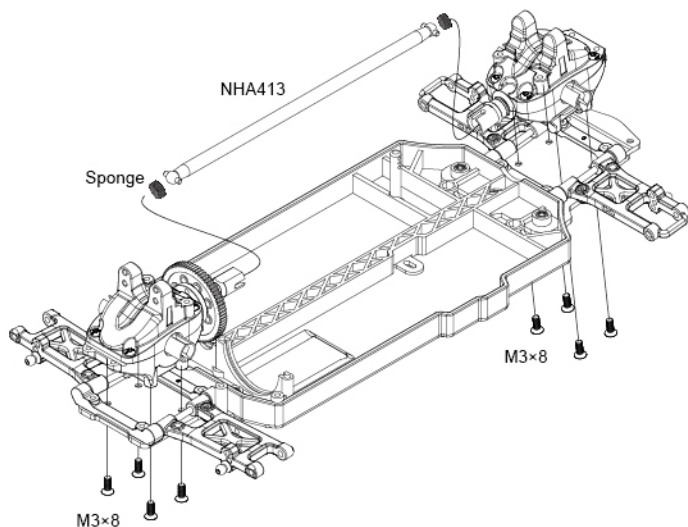
9



T410 RALLY

10


-  X8
- NBA280
M3×8mm



11

-  X2
- NBA281
M3×6mm

-  X4
- NBA282
M3×8mm

-  X2
- NBA284
M3×12mm

-  X2
- NBA210
3×8mm

-  X2
- 3x6x2

-  X2
- 3x6x4

Option

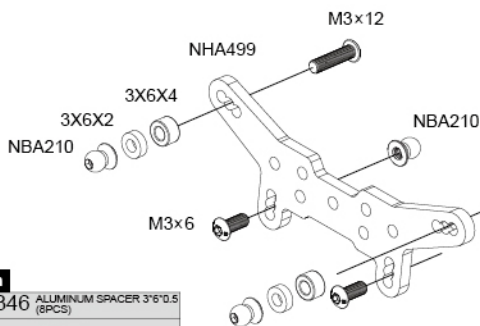
NBA346 ALUMINUM SPACER 3"6"0.5 (8PCS)

NBA347 ALUMINUM SPACER 3"6"1.0 (8PCS)

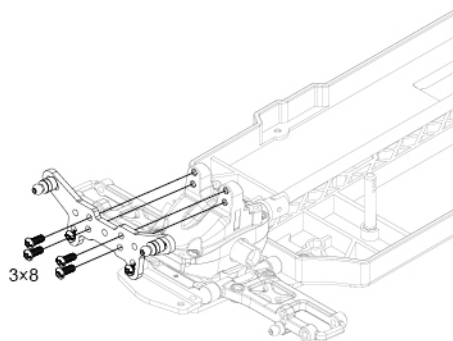
NBA348 ALUMINUM SPACER 3"6"2.0 (8PCS)

NBA349 ALUMINUM SPACER 3"6"3.0 (8PCS)

NBA350 ALUMINUM SPACER 3"6"4.0 (8PCS)



SET UP



T410 RALLY

12



X6

NBA281
M3x6mm



X6

NBA282
M3x8mm



X2

NBA283
M3x10mm



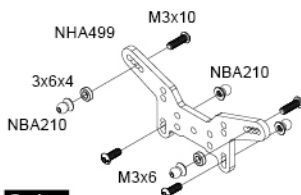
X2

NBA210
3x8mm



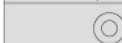
X2

3x6x4

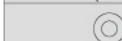


Option

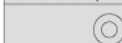
NBA346 ALUMINUM SPACER 3"6"0.5 (8PCS)



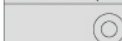
NBA347 ALUMINUM SPACER 3"6"1.0 (8PCS)



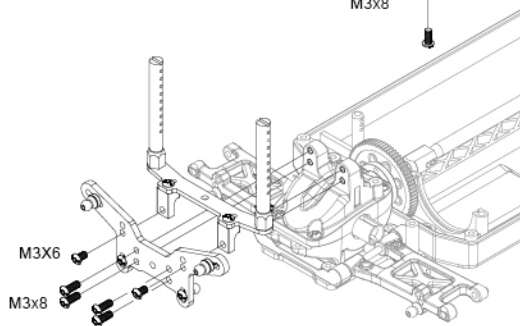
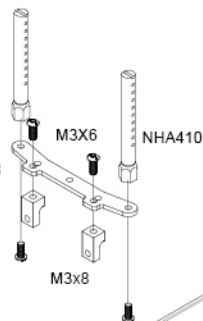
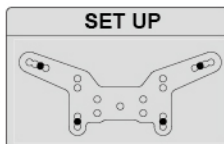
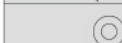
NBA348 ALUMINUM SPACER 3"6"2.0 (8PCS)



NBA349 ALUMINUM SPACER 3"6"3.0 (8PCS)



NBA350 ALUMINUM SPACER 3"6"4.0 (8PCS)



13



X2

NBA283
M3x10mm



X2

M3x14mm



X2

NBA210
3x8mm



X2

NHA419



X2

NHA420



X2

3x6x0.5mm



X2

SPACER 3x6x2



X2

SPACER 3x6x4



X4

BEARING 5x10x4mm

NBA210

3X6X2

3X6X4



NHA404

Option
NHA448 T410 Aluminum Steering Blocks



x1

M3x14

x1

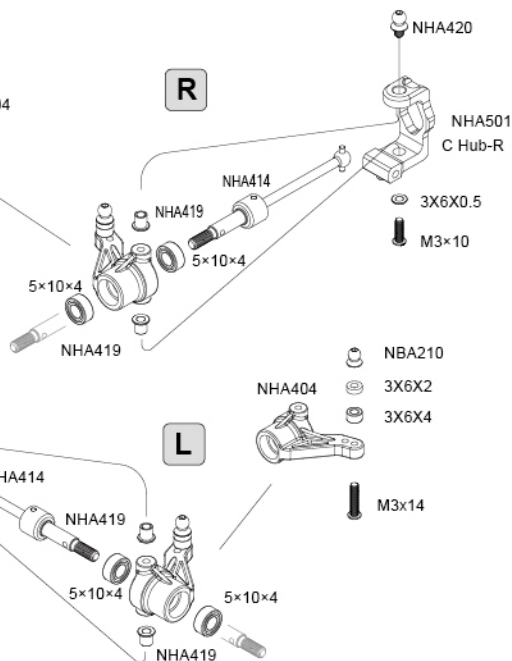
NHA420

NHA501
C Hub-L

3X6X0.5

M3x10

M3x10



R

L

NHA420

NHA501
C Hub-R

3X6X0.5

M3x10

NBA210

3X6X2


3X6X4

NHA404


M3x14

T410 RALLY

14

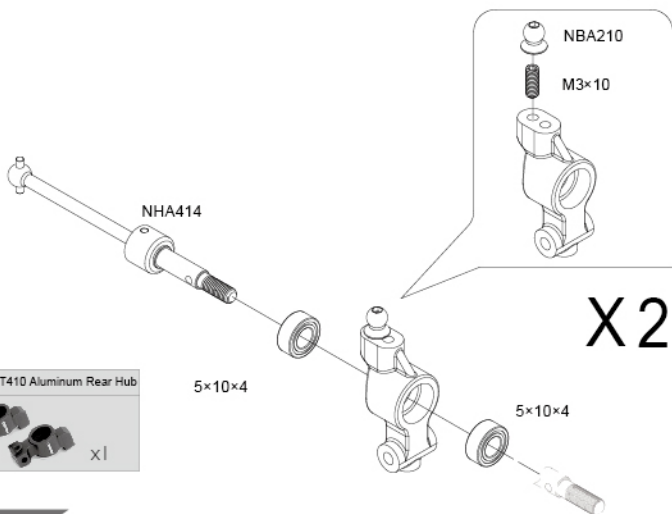
 X2
NBA290
M3×10 mm

 X4
BEARING
5×10×4mm

 X2
NBA210
3×8mm


Option
NHA447 T410 Aluminum Rear Hub


x1 x1



15

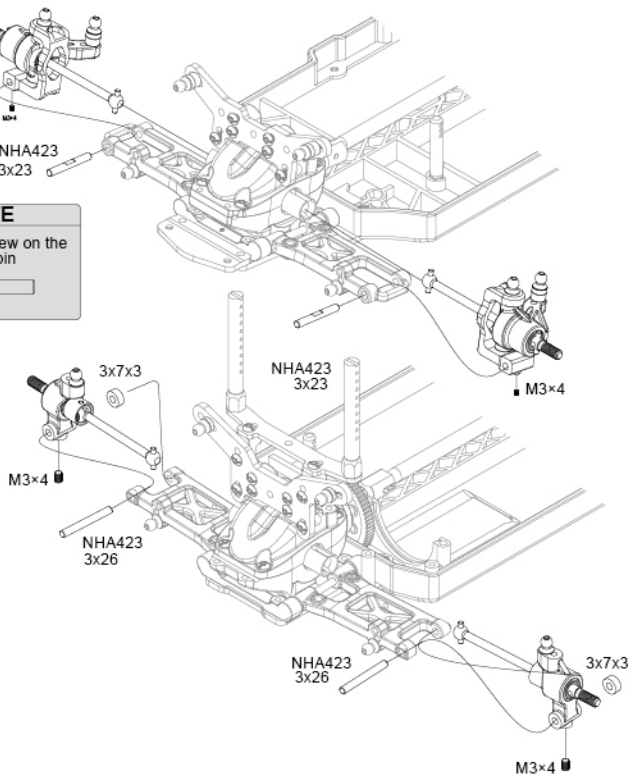
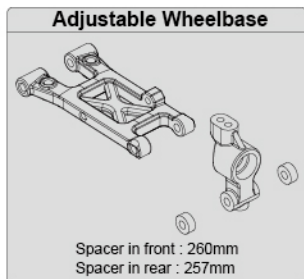
 X2
NHA423
3× 23mm

 X2
NHA423
3×26mm

 X4
NBA288
M3×4mm

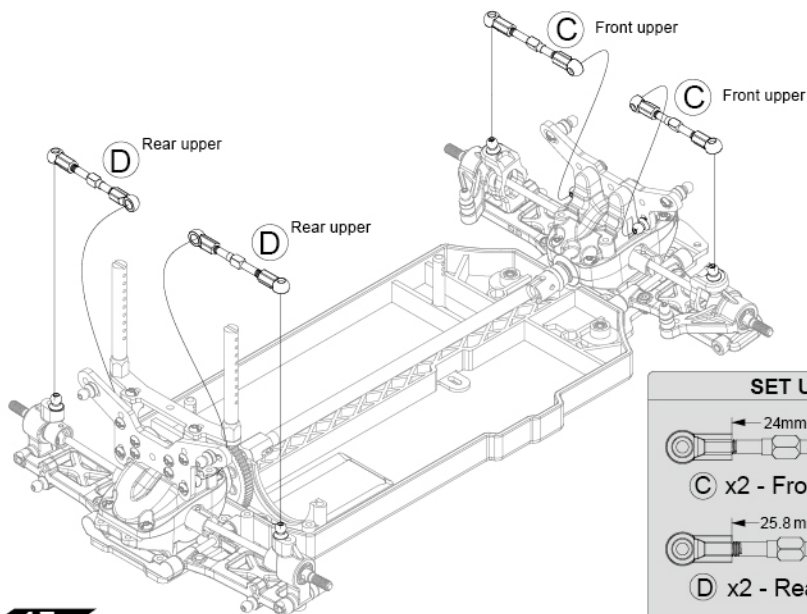
 X2
SPACER
3x7x3

NOTE
Tight Grub screw on the groove of the pin

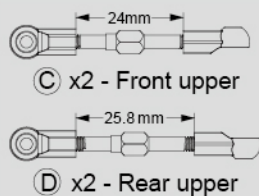



16

T410 RALLY



SET UP



C x2 - Front upper

D x2 - Rear upper

17

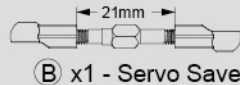
X2
NBA282
M3×8mm

X2
NBA284
M3×12mm

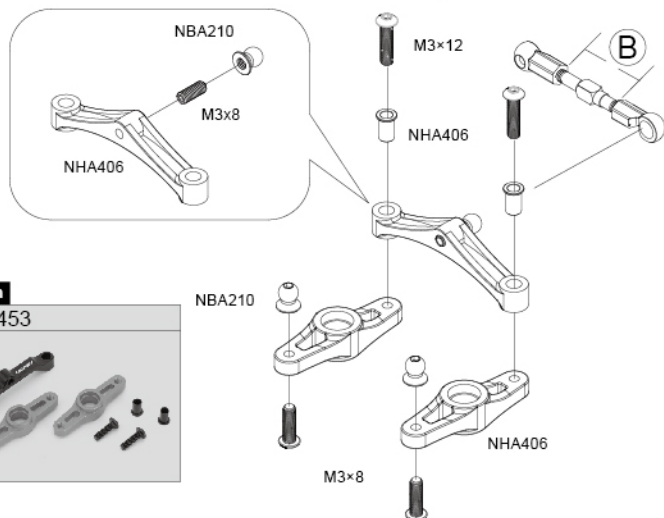
X1
NBA289
M3×8mm

X2
NBA210
3×8mm

SET UP



B x1 - Servo Saver



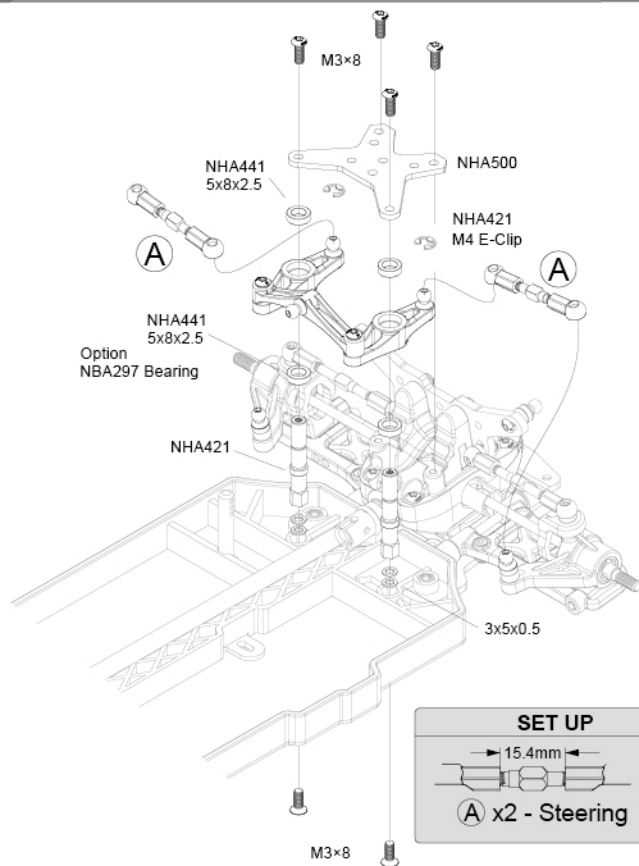
Option
NHA453



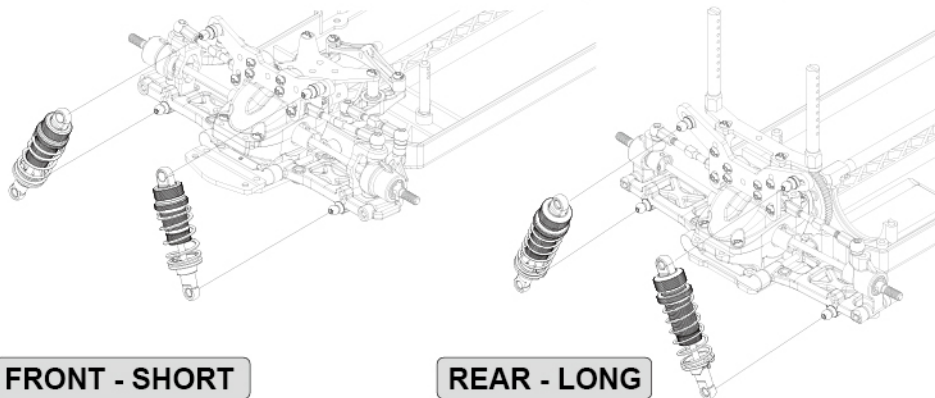
18

T410 RALLY

- 
X4
 NBA282
 M3×8mm
- 
X2
 NBA280
 M3×8mm
- 
X2
 NHA420
 M4-E CLIP
 NBA330
- 
X4
 NHA441
 5×8×2.5mm
- 
X4
 NBA297 Bearing
 3×5×0.5mm



19



FRONT - SHORT


FRONT - LONG

 X3
NBA282
M3×8mm

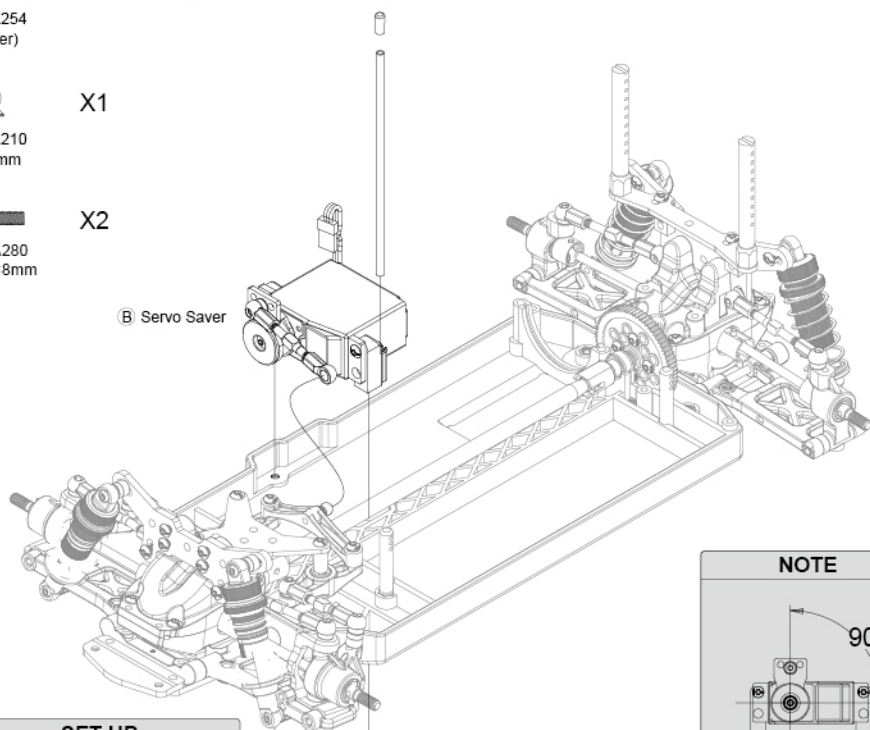
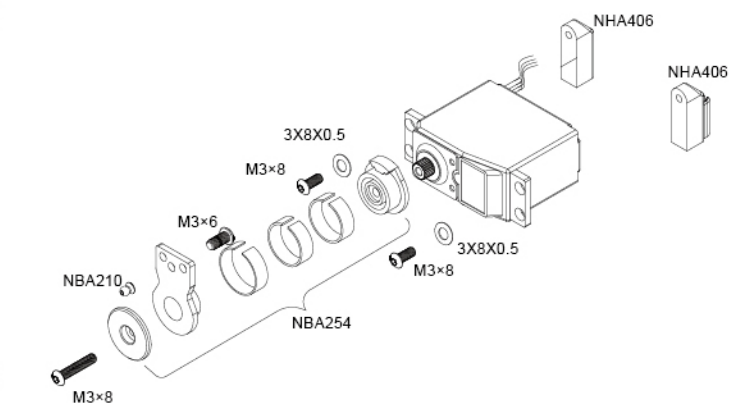
 X1
NBA281
M3×6mm

 X1
NBA254
(Black)

 X2
NBA254
(Silver)

 X1
NBA210
3×8mm

 X2
NBA280
M3×8mm



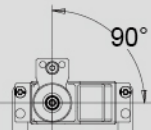
SET UP



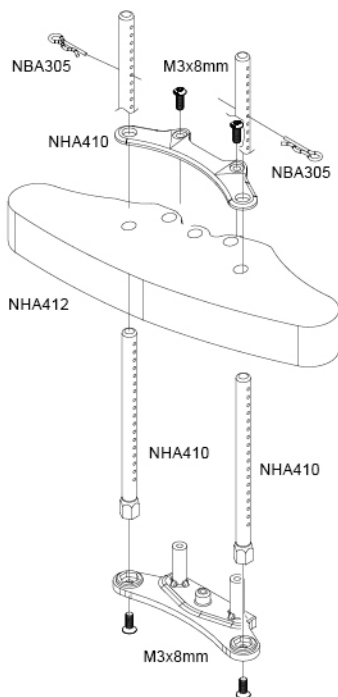
B x1 - Servo Saver

M3×8

NOTE

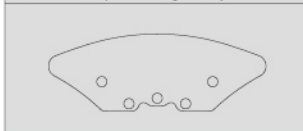


- 1: Switch on transmitter
- 2: Connecting battery and turn on ESC switch



Option

NBA336 Bumper For Touring Car Body



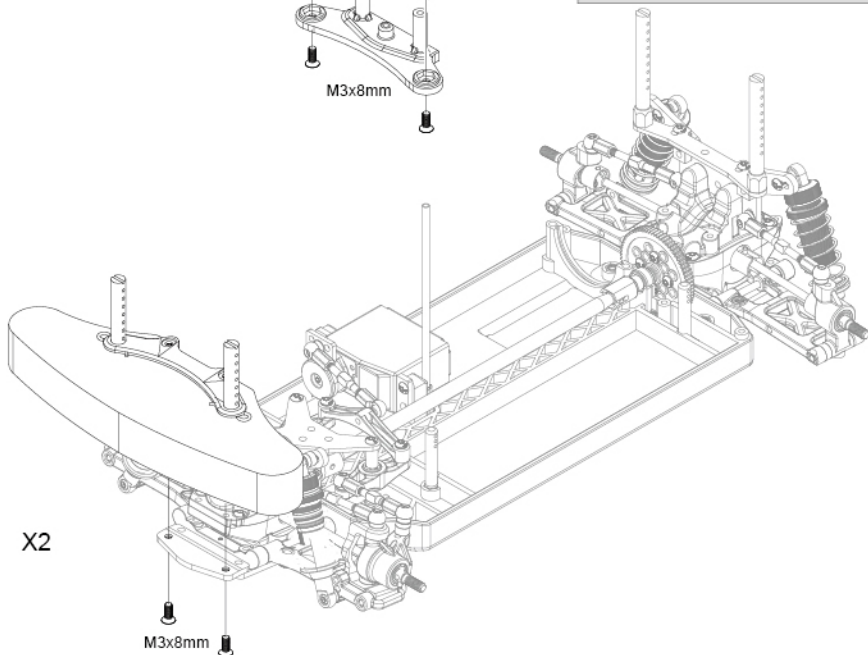
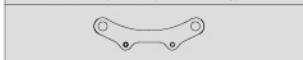
NHA412 Bumper For Touring Car Body



There are two sizes of bumper that Allowed to fit Different kind of Body shell.

Option


NBA278 Bumper Plate (For Sedan Body)



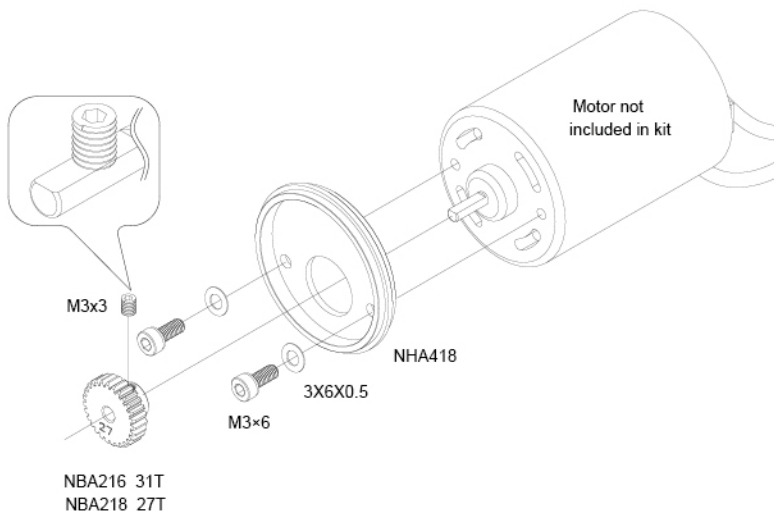
23

T410 RALLY

 X1
NBA287
M3x3mm

 X2
NBA301
3x6x0.5

  X2
NHA425
M3x6



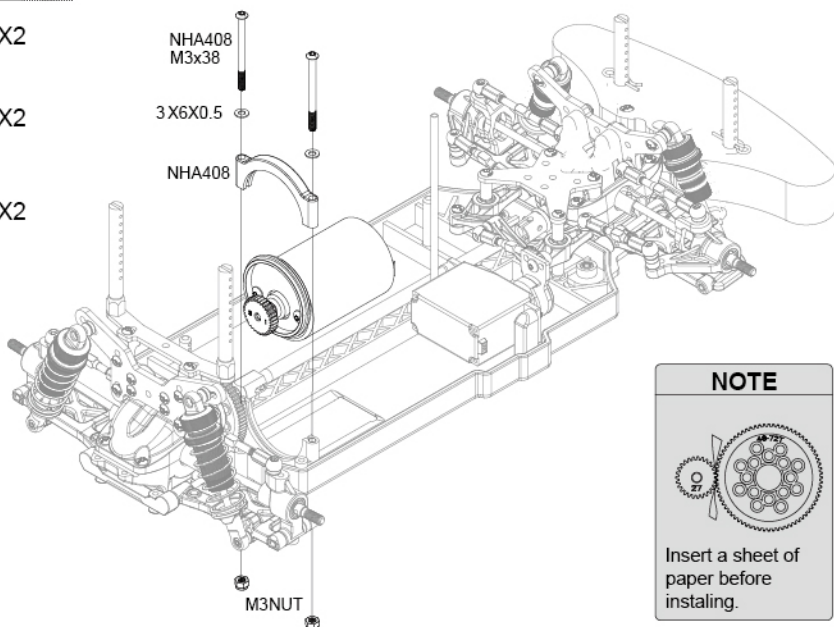
24



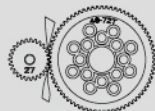
NHA408
M3x38 X2

 X2
NBA294
M3 NUT

 X2
NBA301
3x6x0.5



NOTE



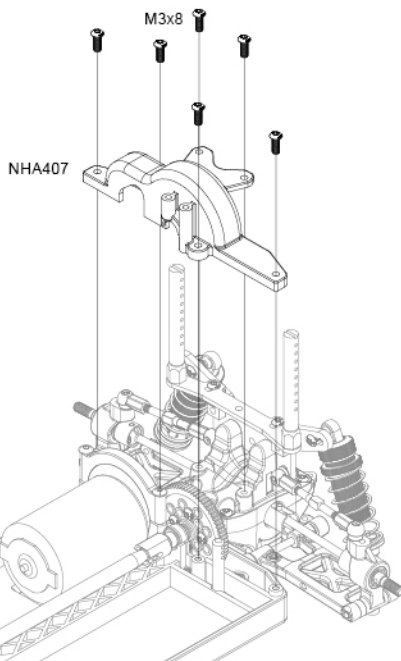
Insert a sheet of paper before installing.

25



X6

NBA282
M3x8mm

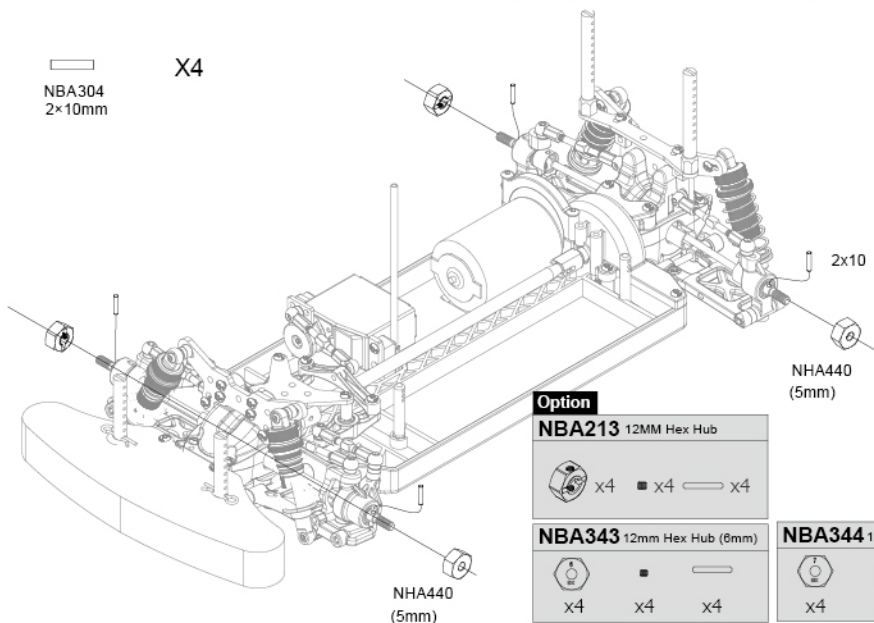


26



X4

NBA304
2x10mm



Option

NBA213 12mm Hex Hub



x4

■ x4

— x4

NBA343 12mm Hex Hub (6mm)



x4

■ x4

— x4

NBA344 12mm Hex Hub (7mm)



x4

■ x4

— x4

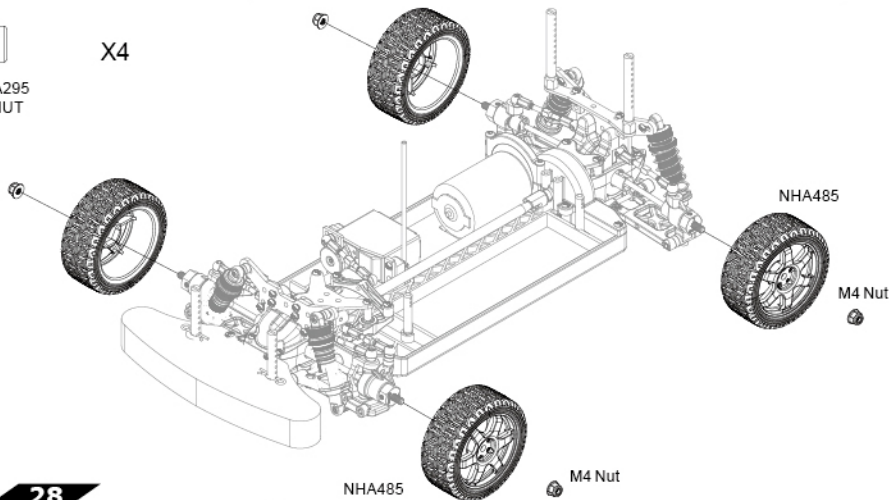
27

T410 RALLY



NBA295
M4 NUT

X4



28

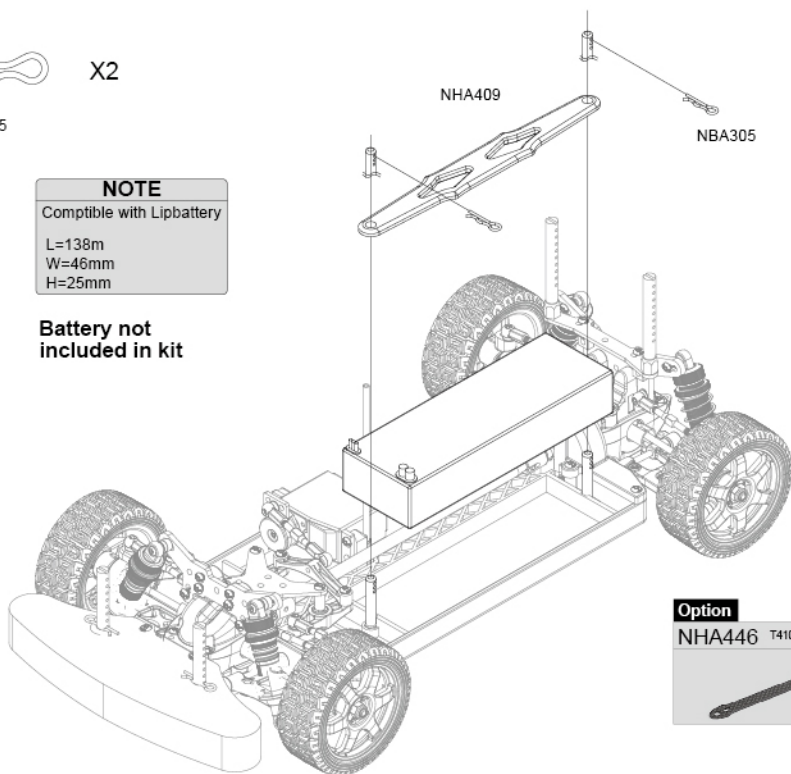


NBA305

X2

NOTE
Comptible with Lipbattery
L=138mm
W=46mm
H=25mm

**Battery not
included in kit**



Option

NHA446 T410 Battery Holder



29

T410 RALLY



X4

NBA305

Cut the appropriate pillar length according to the body shell

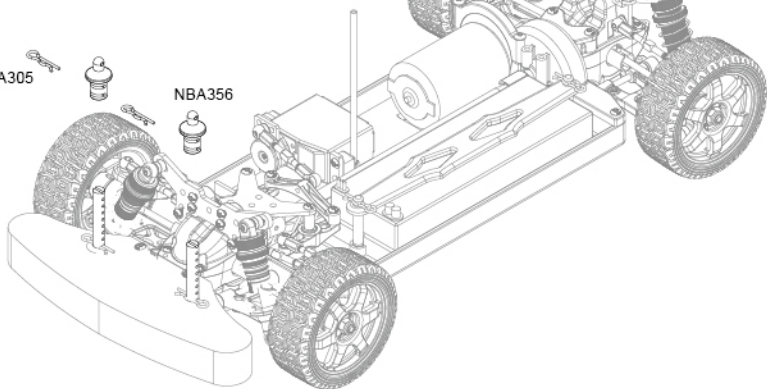
NBA305



NBA356

NBA305

NBA356



30

Chassis cover assembly



X4

NBA294
M3 NUT



X4

NBA281
M3x6mm

The width is cut according to the body shell

NHA503

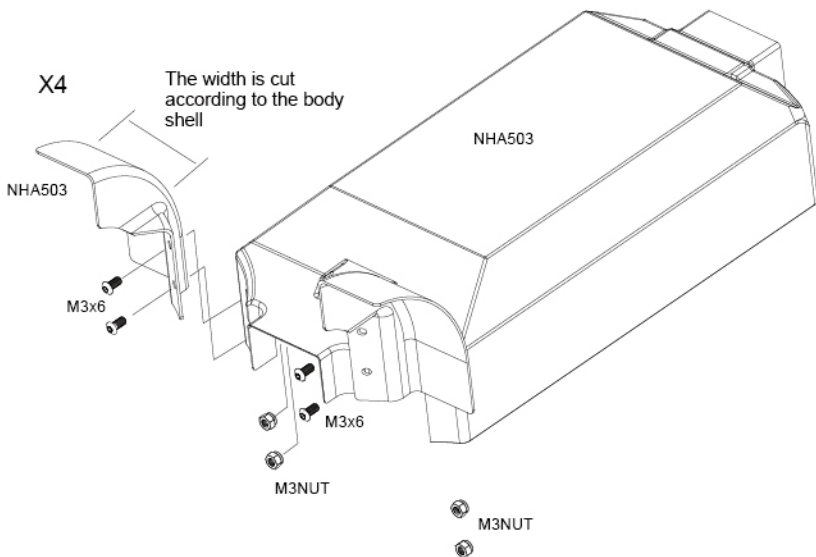
NHA503

M3x6

M3x6

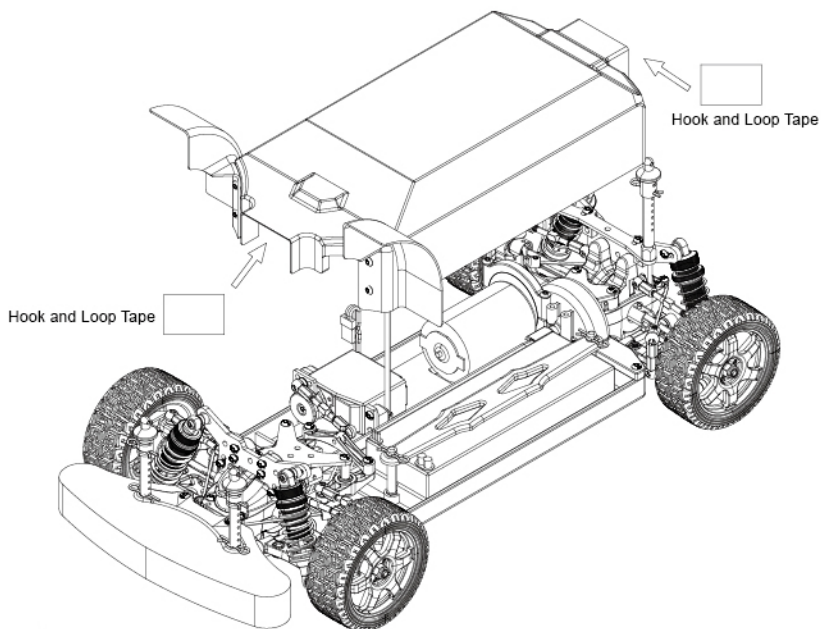
M3NUT

M3NUT

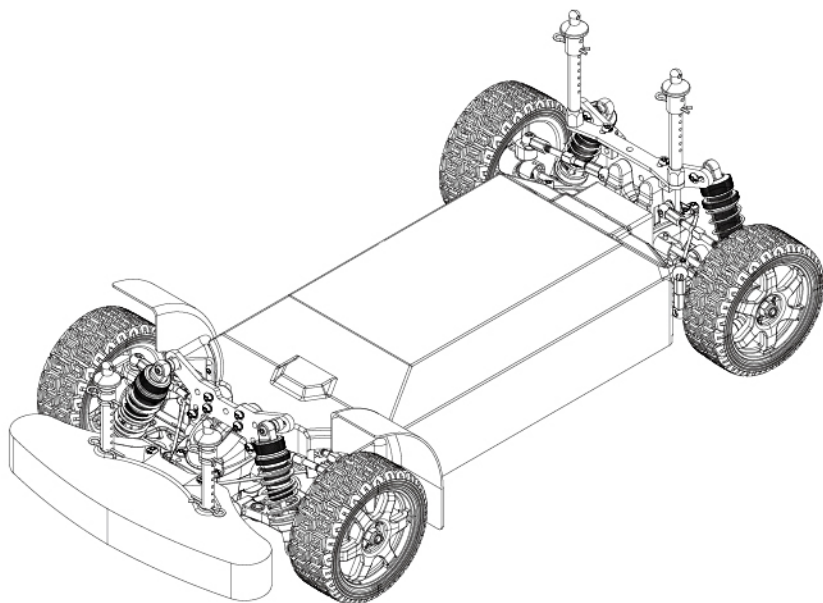


31

T410 RALLY



32



OPTION / Swaybar assembly

T410 RALLY



x8

NBA247



x4

NBA291

M3x12



x4

NBA287

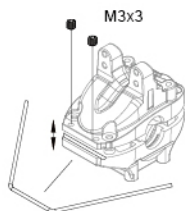
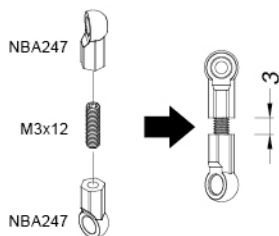
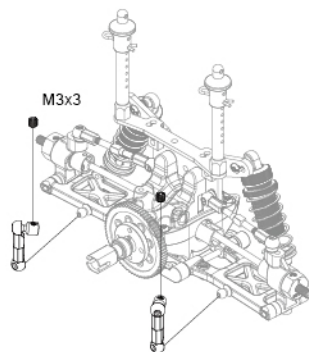
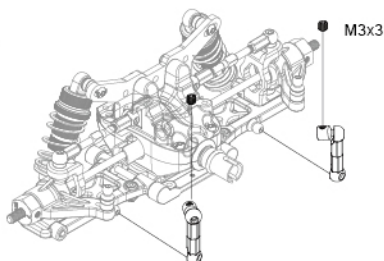
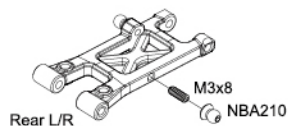
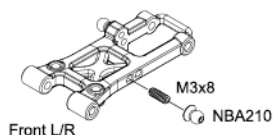
M3x3



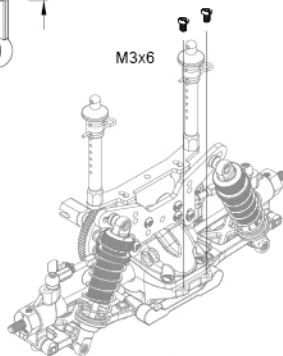
x4

NBA281

M3x6

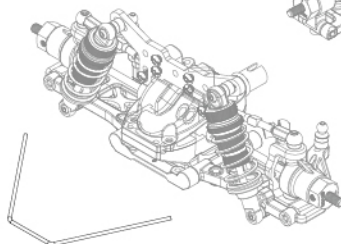


Open front gear box



NHA434 1.4

NHA435 1.6

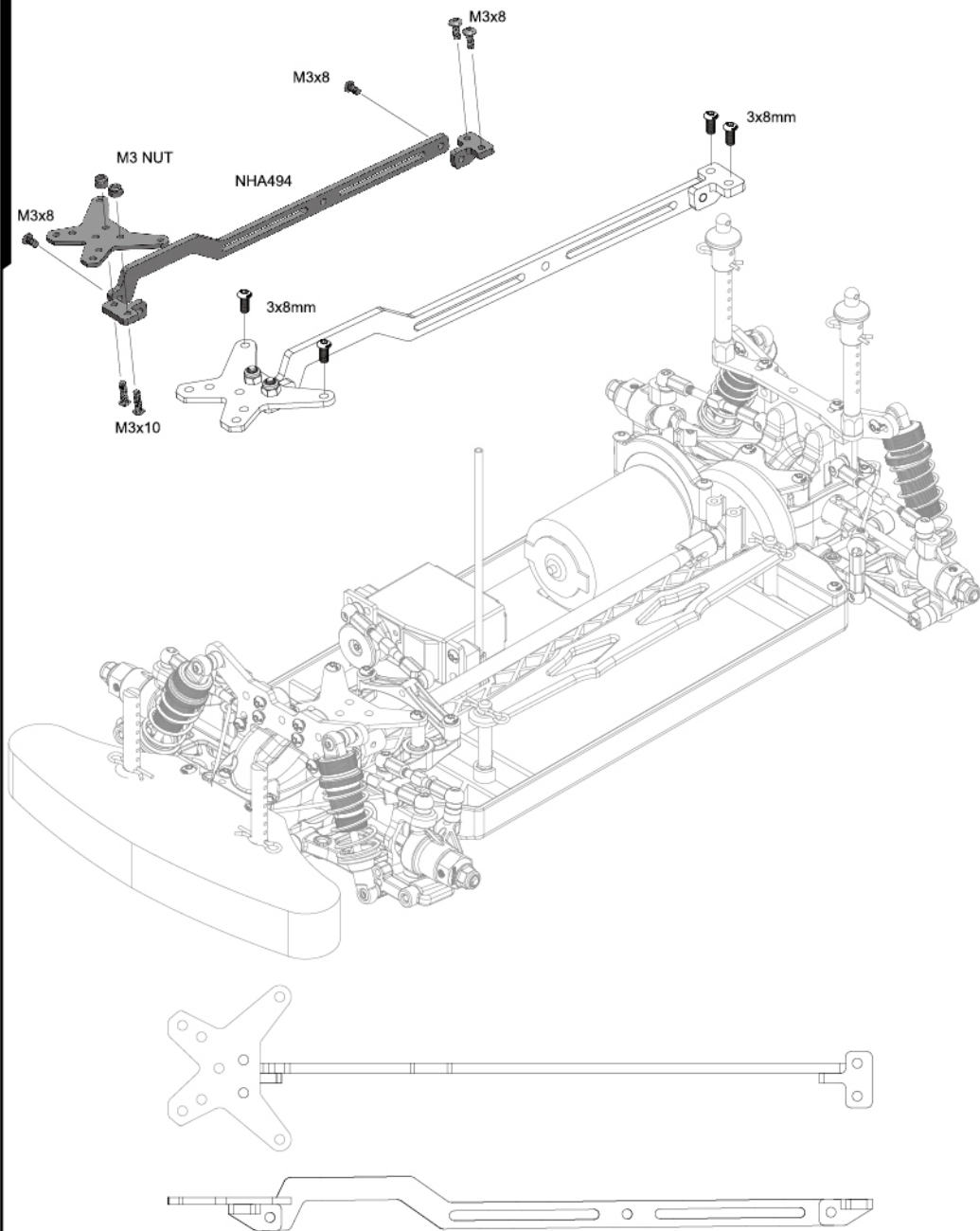


NHA434 1.4

NHA435 1.6

NOTE

Tighten screw firmly enough to allow swaybar to move a little. Do not over tighten it.

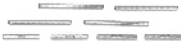


NBA207 17T Metal Bevel Gear (Gear Diff)

NBA210 4.8x6 mm Ball Stud

NBA211 Pivot Ball Stud

NBA213 12MM Hex Hub

NBA214 Suspension Shaft Set

NBA215 39T-48P Pinon Gear (Aluminum)

NBA216 31T-48P Pinon Gear (Metal)

NBA217 31T-48P Pinon Gear (Aluminum)

NBA218 27T-48P Pinon Gear (Metal)

NBA219 Shock Parts(O-rings)

NBA220 Shock Body sets (Aluminum)

NBA223 Shock Parts

NBA230 Gear Differential

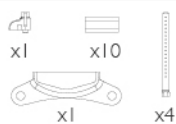
NBA231 Gear Diff Case

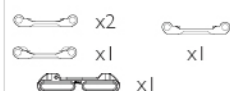
NBA232 42T Bevel Gear (Metal)

NBA233 Gear Diff Cup Joint

NBA234 Gear Diff Oring

NBA235 Gear Diff Bevel Gear Set

NBA245 Front Bumper Hold And Body Mount

NBA247 Ball End (4.8mm)

NBA248 Suspension Mount Parts

NBA249 Gear box

NBA252 Spur Gear 72T

NBA254 Servo Saver

NBA255 Cup Joint

NBA257 Bumper For Hatchback Body

NBA259 Antenna Pipe

NBA277 Bumper Plate (For Hatchback Body)

NBA278 Bumper Plate (For Sedan Body)

NBA279 Screw Set - FH M3x6

NBA280 Screw Set - FH M3x8

NBA281 Screw Set - BH M3x6

NBA282 Screw Set - BH M3x8

NBA283 Screw Set - BH M3x10

NBA284 Screw Set - BH M3x12

NBA285 Screw Set - BH M3x18

NBA286 Screw Set - FH M2x8

NBA287 Set Screw M3x3

NBA288 Set Screw M3x4

NBA289 Set Screw M3x8

NBA290 Set Screw M3x10

NBA291 Set Screw M3x12

NBA292 Set Screw M3x18

NBA293 Set Screw M3x20

NBA294 M3 Nut

NBA295 M4 Nut

NBA297 Bearing 5*8*2.5

NBA298 Bearing 5X10X4

NBA299 Bearing 10X15X4

NBA301 Washer (3*6.5*0.5 mm)

NBA302 Washer (3*8*0.5 mm)

NBA303 E-Clip


NBA304 Pin2X10

 x10

NBA305 Body pinS

 x12

NBA306 O-Ring

 x10

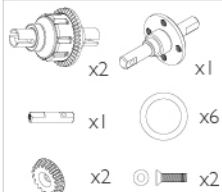
NBA307 Washer (11*14*0.2 mm)

 x10

NBA309 Ball Differential(Metal)

 x1 x1 x1 x3

NBA310 Gear Differential Set

 x2 x1 x1 x6 x2 x2

NBA312 Fan Holder (For 30mm Fan)

 x1 x2 x2 x4 x2

NBA313 Pivot Block (ALUMINUM) 3°

 x1

NBA314 Pivot Block (ALUMINUM) 0°

 x1

NBA315 Pivot Block (ALUMINUM) 2.5°

 x1

NBA318 Aluminum Hex 5.5 x 10mm

 x10

NBA327 Metal Center Cup Joint (For Gear Diff)

 x1 x1 x4 x4

NBA332 Strong Ball End 4.8mm (4PCS)

 x4

NBA334 Strong Ball End 4.8mm (Long 4PCS)

 x4

NBA336 Bumper For Touring Car Body

 x1

NBA337 Bumper Plate & Body Post Spacer

 x4 x1

NBA338 Pivot Block (ALUMINUM) 2.0°

 x1

NBA343 12mm Hex Hub (6mm)

 x4 x4 x4

NBA344 12mm Hex Hub (7mm)

 x4 x4 x4

NBA346 ALUMINUM SPACER 3°6'0.5 (8PCS)

 x8

NBA347 ALUMINUM SPACER 3°6'1.0 (8PCS)

 x8

NBA348 ALUMINUM SPACER 3°6'2.0 (8PCS)

 x8

NBA349 ALUMINUM SPACER 3°6'3.0 (8PCS)

 x8

NBA350 ALUMINUM SPACER 3°6'4.0 (8PCS)

 x8

NBA351 M3 Nylon Lock Nut(4PCS)

 x4

NBA352 M4 Nylon Lock Nut(4PCS)

 x4

NBA353 M4 Serrated Lock Nut(4PCS)

 x4

NBA355 23T Brushed Motor

 x1

NBA356 Extended Body Post(6mm)

 x4  x4

NBA357 Gear Diff Cup Joint (Heavy Duty)

 x2 x2 x2

NBA360 Spur Gear 68T (Heavy Duty Steel)

 x1

NBA361 CVD Pin

 x4

NBA363 Shock Pistons-3H1.2

 x4

NBA364 Shock Pistons-4H1.1

 x4

NBA368 CARTEN 60A Brushed ESC



NBA370 Bevel Gear Set

 x2 x1 x2

NBA373 Rear gear shaft cup joint & Gear hub



NBA383 M210 FWD Bumper-Small

 x1

NBA384 M210 FWD Bumper-Medium

 x1

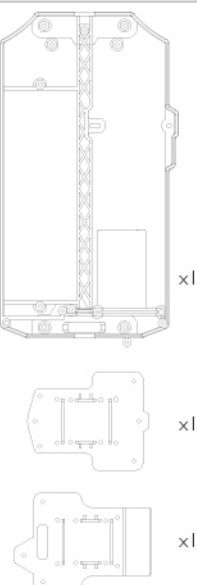
NBA385 Pivot Block Toe in 1.5° (Aluminum)

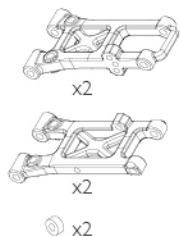
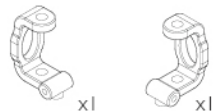


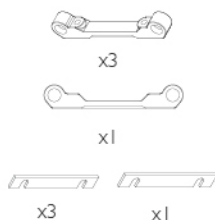
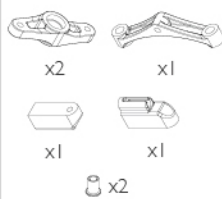
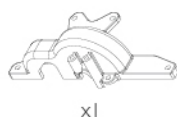
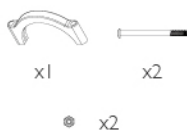
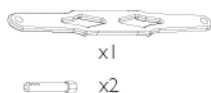
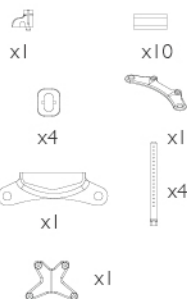
NBA386 Pivot Block Toe in 1° (Aluminum)



NHA401 Chassis

 x1 x1 x1

NHA402 Arms(F/R)

NHA403 C Hub 4° (L/R)

NHA404 Hub Carrier

NHA405 Suspension Mount Parts

NHA406 Steering Track

NHA407 Gear box Cover

NHA408 Motor Plate Holder

NHA409 Battery Holder

NHA410 Front Bumper Holder Set

NHA412 Bumper

NHA413 Center Drive Shaft

NHA414 CVD Drive Shaft

NHA417 Tumbuckle Set

NHA418 Motor Plate (T410)

NHA419 Steering Bush

NHA420 Ball stud 4.8x9

NHA421 Steering Post(T410)

NHA422 Steering Post(T410R)

NHA423 Suspension Shaft Set

NHA424 Cap Head Screw M2x8

NHA425 Cap Head Screw M3x8

NHA426 Cap Head Screw M3x8

NHA427 Cap Head Screw M3x10

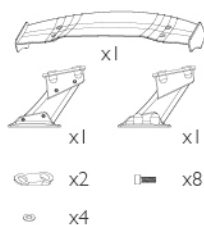
NHA428 Cap Head Screw M3x12

NHA429 Flat Screw M3x14

NHA430 Set Screw M4x10

NHA434 Sway Bar-1.4mm

NHA435 Sway Bar-1.6mm

NHA438 Wing Set

NHA439 Back millor and exhaust pipe

NHA440 12mm HEX (T 5mm/8mm)

NHA441 5x8x2.5 Metal bushing


NHA442 5"7*0.6 washers



x10

NHA443 5"7*0.2 washers



x10

NHA444 4.8x8 mm Ball Stud (for T410 sway bar)



x4

x4

NHA446 T410-Battery Holder



x1

NHA447 T410 Aluminum Rear Hub



x1

x1

NHA448 T410 Aluminum Steering Blocks



x1

x1

NHA453 T410 Steering Set(AL)



NHA475 Heavy duty gear diff set



NHA476 T410 FWD Bumper



x1

NHA483 CARBON STEERING BRACE



x1

x2

x2

x2

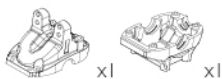
NHA501 T410 RALLY AL-C HUB (R&L)



x1

x1

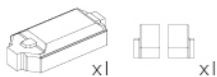
NHA502 T410 RALLY Front gear box



x1

x1

NHA503 T410 RALLY Chassis carver



x1

x1

NHA504 T410 RALLY Front shock body (25.5mm)



x2

NHA505 T410 RALLY Rear shock body (30.5mm)



x2

NHA506 T410 RALLY Front shock body (32mm)



x2

x5

NHA507 T410 RALLY Rear shock body (37mm)



x2

x5

NHA508 T410 RALLY shock spacer (PCM)



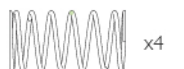
x4

NHA509 T410 RALLY Front shock spring 14x30mm-6 1/4N-Yellow



x4

NHA510 T410 RALLY Front shock spring 14x30mm-7N-Red



x4

NHA511 T410 RALLY Front shock spring 14x30mm-7 3/4N-Green



x4

NHA512 T410 RALLY Front shock spring 14x35mm-7N-Blue



x4

NHA513 T410 RALLY Front shock spring 14x35mm-7N-Yellow



x4

NHA514 T410 RALLY Front shock spring 14x35mm-7N-Red



x4

NHA515 T410 RALLY Front shock spring 14x35mm-7N-Green



x4

NHA516 T410 RALLY Ball end (19.5mm)



x4

NHA517 T410 RALLY Front Shocks (67mm)-2PCS



x2

NHA518 T410 RALLY Rear Shocks (77mm)-2PCS



x2

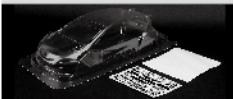
NHA902 1/10 Supra Clean Body(190mm)



NHA903 1/10 WRX08 hatchback (190mm)(Include Light Buckets)



NHA904 1/10 MK3 Clean Body(190mm)



NHA436 1/10 Tires 5 Spoke Wheel-White(26mm)



NHA451 5 Spoke Wheel-White (25mm)(ET-0mm)



NHA452 5 Spoke Wheel-White (24mm)(ET-0mm)



NHA454 1/10 on-road tires 26mm(4PCS)



NHA477 1/10 Tires 5 Spoke Wheel-Black(26mm)



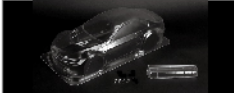
NHA478 1/10 Tires 5 Spoke Wheel-Gray(26mm)



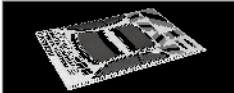
NHA481 5 Spoke Wheel-Black (24mm)(ET-0mm)



NHA901 1/10 M3 GT2 Clean Body (190mm)



NHA901-1 1/10 M3 GT2 Body Sticker



NHA901-2 1/10 M3 GT2 Light Buckets



NHA482 6 Spoke Wheel-Gray
(24mm)(ET-0mm)



NHA485 1/10 WRX08 hatchback
(190mm)(Include Light Buckets)



NHA486 1/10 Rally Tires 6 Spoke Wheel
-Gray (ET-0mm)(4PCS)



NHA487 1/10 Road Tires 6 Spoke Wheel
-Black (ET-0mm)(4PCS)



NHA488 1/10 Road Tires 6 Spoke Wheel
-Gray (ET-0mm)(4PCS)



NHA489 1/10 Slick Tires 6 Spoke Wheel
-Black (ET-0mm)(4PCS)



NHA490 1/10 Slick Tires 6 Spoke Wheel
-Gray (ET-0mm)(4PCS)



NHA491 1/10 Rally Tires 26mm(4PCS)



NHA492 1/10 Road Tires 26mm(4PCS)



NHA493 1/10 Slick Tires 26mm(4PCS)



GEAR RATIO

SPUR GAER

T410 RALLY

72

2.47

PINION GEAR

GERA DIFF(42/17)
GEAR RATIO

21

8.47

22

8.08

23

7.73

24

7.41

25

7.11

26

6.84

27

6.59

28

6.35

29

6.13

30

5.93

31

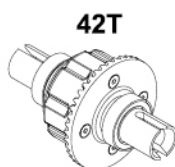
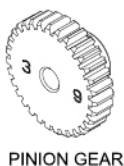
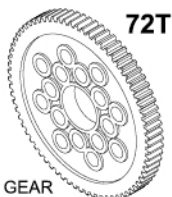
5.74

32

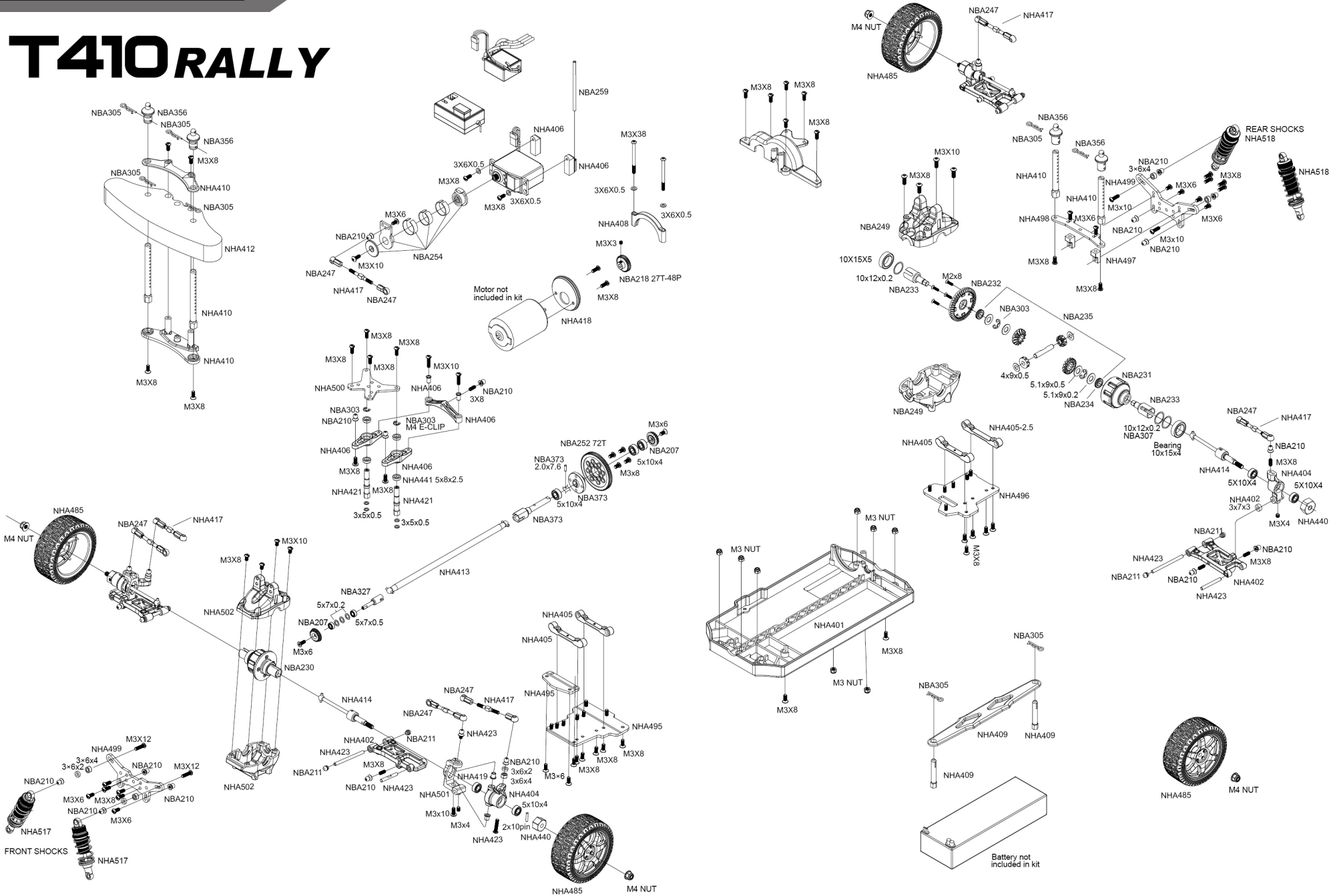
5.56

33

5.39



T410 RALLY





1/10 EP RC RALLY CAR

T410 RALLY



CARTEN RC Website

 service@carten-rc.com